



T&S BRASS AND BRONZE WORKS, INC.
 2 Saddleback Cove / P.O. Box 1088
 Travelers Rest, SC 29690

Model No.
B-0102-B

Item No.

Travelers Rest, SC: 800-476-4103 • Simi Valley, CA: 800-423-0150 • Fax: 864-834-3518 • www.tsbrass.com

This Space for Architect/Engineer Approval

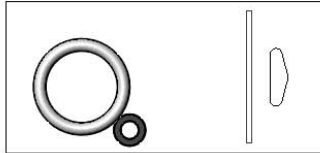
Job Name _____ Date _____

Model Specified _____ Quantity _____

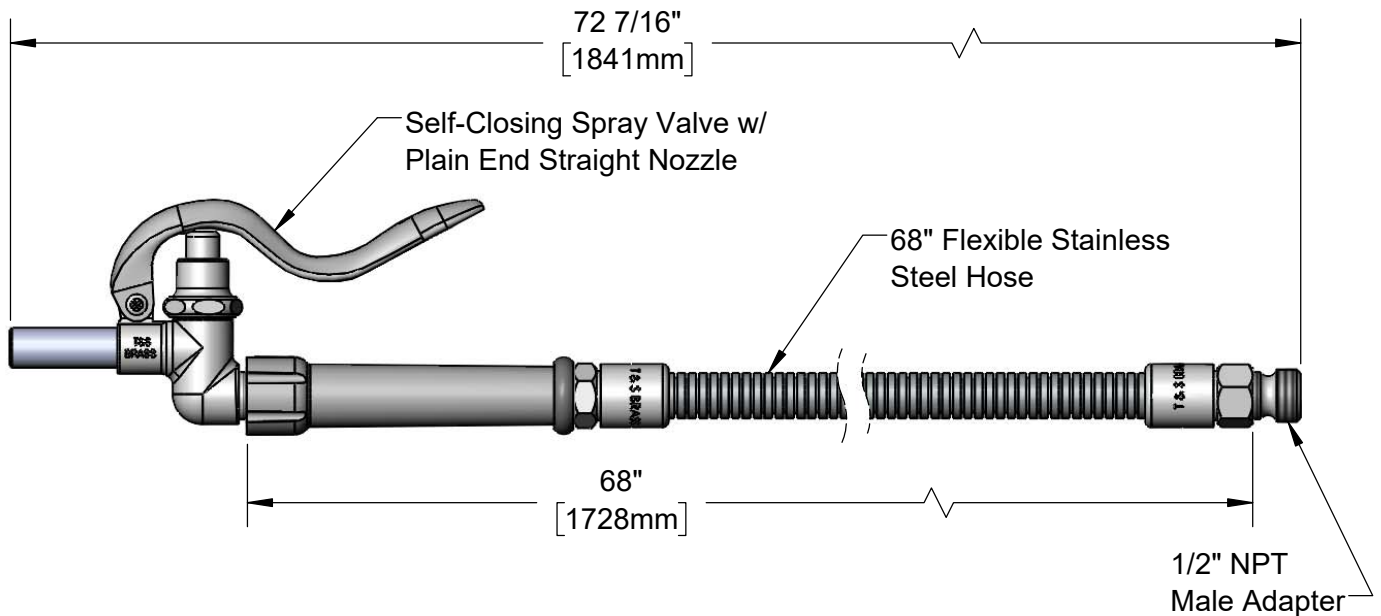
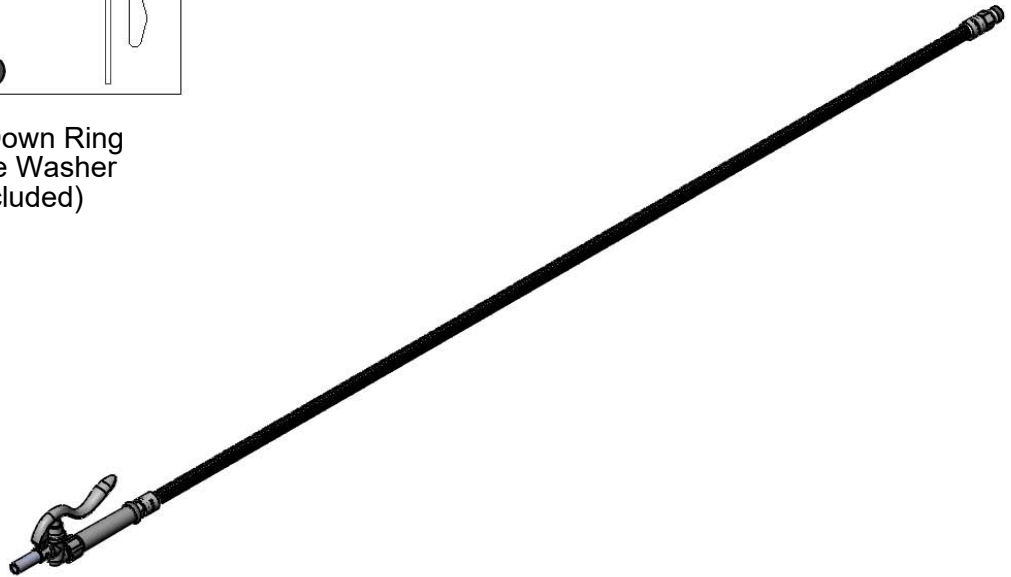
Customer/Wholesaler _____

Contractor _____

Architect/Engineer _____



Hold Down Ring
& Hose Washer
(Included)



Product Specifications:

Self-Closing Spray Valve w/ Plain End Straight Nozzle & 68" Flexible Stainless Steel Hose w/ Adapter

Product Compliance:

ASME A112.18.1 / CSA B125.1
 NSF 61 - Section 9
 NSF 372 (Low Lead Content)
 2019 DOE PRSV Non-Compliant
 Product Not Designed/Intended for
 Commercial Warewashing in North America



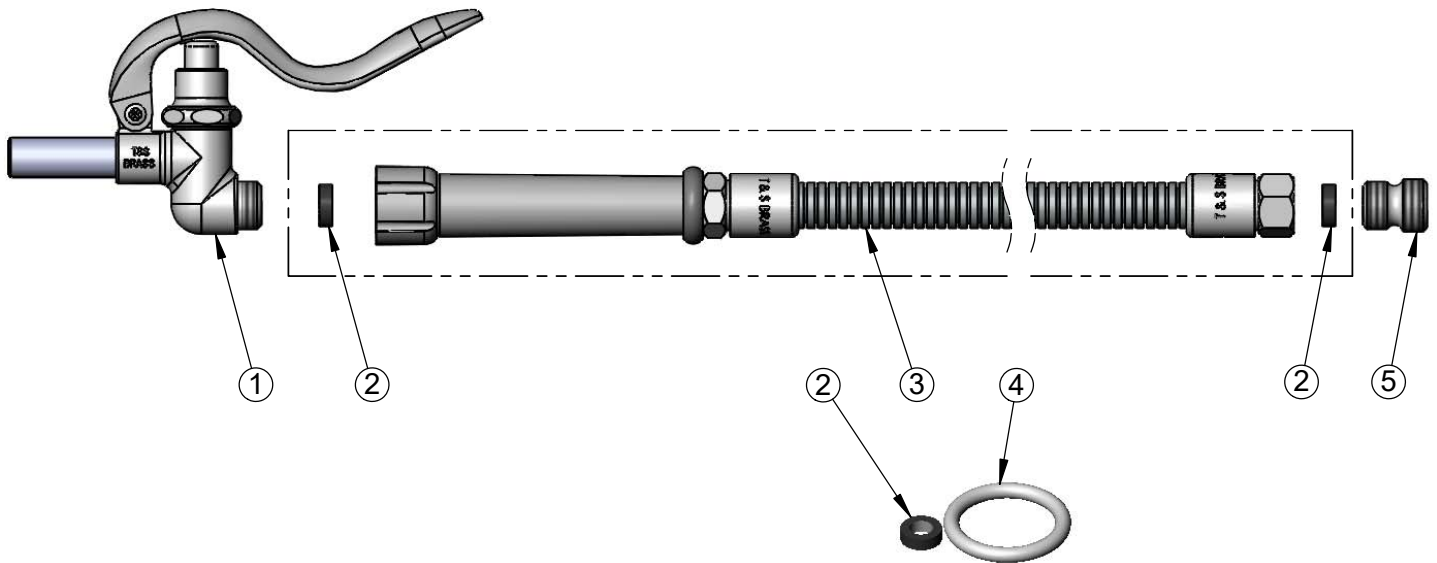
T&S BRASS AND BRONZE WORKS, INC.
 2 Saddleback Cove / P.O. Box 1088
 Travelers Rest, SC 29690

Model No.
B-0102-B

Item No.

Travelers Rest, SC: 800-476-4103 • Simi Valley, CA: 800-423-0150 • Fax: 864-834-3518 • www.tsbrass.com

ITEM NO.	SALES NO.	DESCRIPTION
1	002864-40	Straight Nozzle w/ Automatic Shut-Off Valve
2	010476-45	#27 Washer
3	B-0068-H	68" Flexible Stainless Steel Hose
4	000907-45	Spray Valve Hold Down Ring
5	055A	Adapter, 1/2 NPT Male



Product Specifications:
 Self-Closing Spray Valve w/ Plain End Straight Nozzle & 68" Flexible Stainless Steel Hose w/ Adapter

Product Compliance:
 ASME A112.18.1 / CSA B125.1
 NSF 61 - Section 9
 NSF 372 (Low Lead Content)
 2019 DOE PRSV Non-Compliant
 Product Not Designed/Intended for
 Commercial Warewashing in North America