



T&S BRASS AND BRONZE WORKS, INC.
 2 Saddleback Cove / P.O. Box 1088
 Travelers Rest, SC 29690

Model No.
G019430-45

Item No.

Travelers Rest, SC: 800-476-4103 • Simi Valley, CA: 800-423-0150 • Fax: 864-834-3518 • www.tsbrass.com

This Space for Architect/Engineer Approval

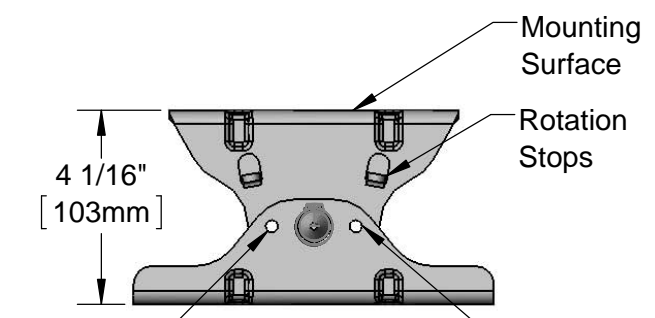
Job Name _____ Date _____

Model Specified _____ Quantity _____

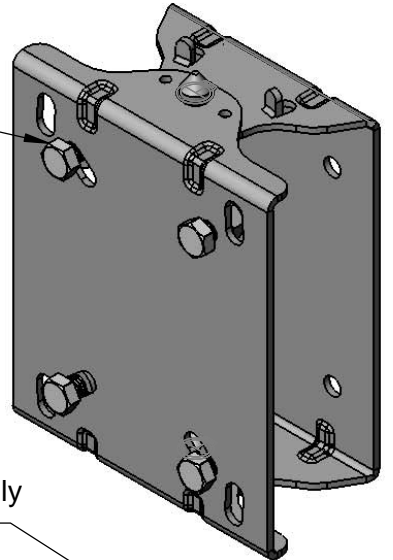
Customer/Wholesaler _____

Contractor _____

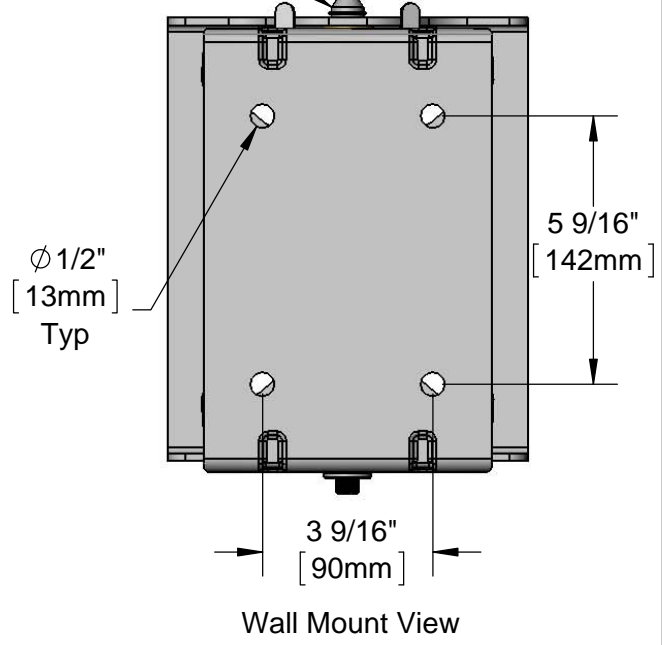
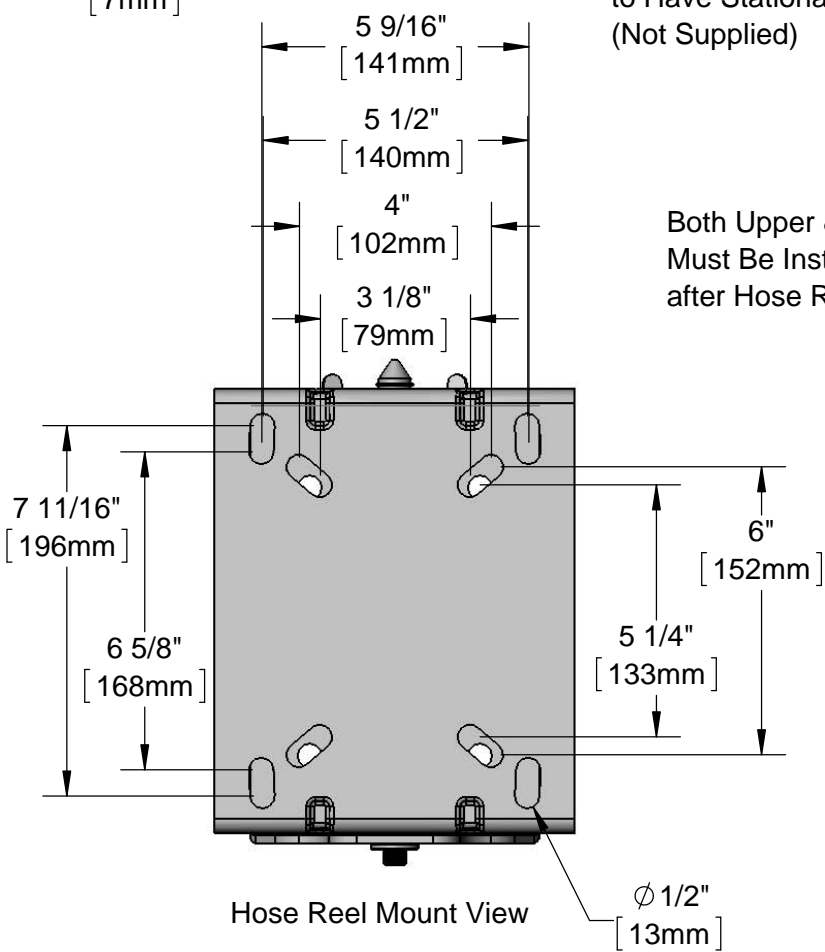
Architect/Engineer _____



Reel-to-Bracket Mounting Hardware Included



Both Upper & Lower C-Clips Must Be Installed Immediately after Hose Reel Installation



Product Specifications:
 EasyInstall Universal Stainless Steel Hose Reel Bracket, Fits all T&S 3/8" & 1/2" Reels, One Person Installation. Includes Safety C-Clips for Securing the Hose Reel Mount to Base & Reel-to-Bracket Mounting Hardware

Product Compliance:
 N/A