



# Workboard / Bar Sink Faucets

## B-1157

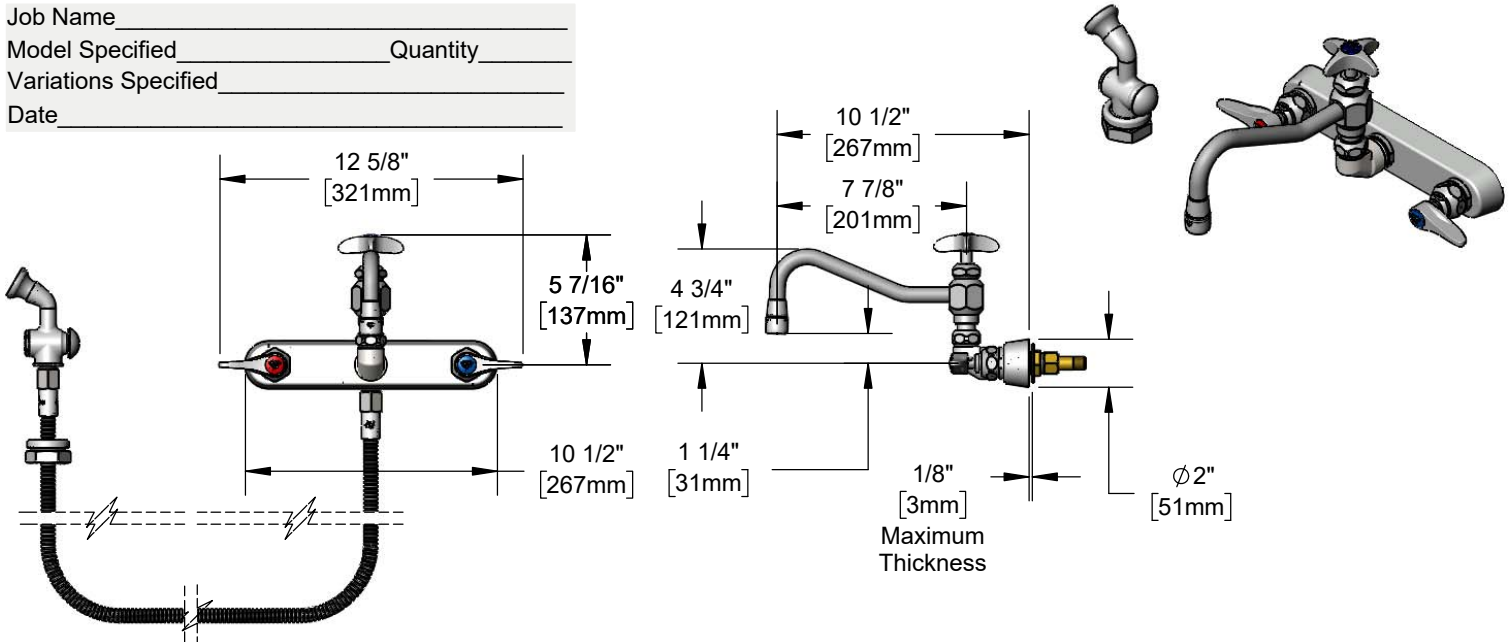
TAG:

### Workboard Mixing Faucet

#### Architect/Engineering Specifications:

8" wall mount mixing faucet with chrome plated brass body, swivel/rigid diverter valve with 7 7/8" nozzle with 2.2 GPM aerator, compression cartridges with spring checks, lever handles, 1/2" NPT male inlets, chrome plated escutcheon, self-closing spray valve with 2.2 GPM rosespray, 48" flexible stainless steel hose and deck flange hose guide. Certified to ASME A112.18.1/CSA B125.1, NSF 61-Section 9 and NSF 372.

Job Name \_\_\_\_\_  
 Model Specified \_\_\_\_\_ Quantity \_\_\_\_\_  
 Variations Specified \_\_\_\_\_  
 Date \_\_\_\_\_



#### Features & Benefits:

- 8" wall mount mixing faucet w/ chrome plated brass body
- Swivel/rigid diverter valve w/ 4-arm handle and 7 7/8" nozzle with 2.2 GPM aerator, Series 2 (B-0199-02)
- Lock washer included to convert swivel nozzle to rigid
- Quarter-turn Eterna compression cartridges with spring checks to prevent cross flow of water
- Lever handles w/ color coded indexes
- 1/2" NPT male inlets
- Tailpieces and nuts for 1/4" NPT male connections
- Deck flange to hold spray valve when not in use
- Chrome plated escutcheon
- Self-closing spray valve with 2.2 GPM rosespray  
48" flexible stainless steel hose and deck flange hose guide
- Material: Chrome plated brass body, diverter valve body, spray valve body, deck flange & tubular spout, stainless steel hose and chrome plated metal handles & escutcheon

#### Product Compliance:

- ASME A112.18.1 / CSA B125.1
- NSF 61 - Section 9
- NSF 372 (Low Lead Content)
- 2019 DOE PRSV Non-Compliant



**Warranty:** One Year (Limited)



#### Performance Data:

- Pressure: 20 - 125 psi
- Temperature: 40 °F - 140 °F
- Flow Rate:  
 Nozzle: 2.2 GPM @ 60 psi  
 Spray Valve: 2.2 GPM @ 60 psi

#### Optional Outlets (Series 2 / VR Series 7)

GPM	Aerated	Non-Aerated (Laminar)	VR Aerated	VR Non-Aerated (VR Laminar)	Optional Handles
0.35	N/A	<input type="checkbox"/> B-0199-02-N035	N/A	<input type="checkbox"/> B-0199-07-N035	<input type="checkbox"/> 4" Wrist Action
0.5	N/A	<input type="checkbox"/> B-0199-02-N05	N/A	<input type="checkbox"/> B-0199-07-N05	<input type="checkbox"/> Lever (Standard)
1.0	<input type="checkbox"/> B-0199-02-F10	N/A	<input type="checkbox"/> B-0199-07-F10	N/A	<b>Optional Cartridges With Checks</b>
1.2	<input type="checkbox"/> B-0199-02-F12	N/A	<input type="checkbox"/> B-0199-07-F12	N/A	<input type="checkbox"/> Quarter-Turn Cerama w/ Check Valve
1.5	<input type="checkbox"/> B-0199-02-WS	N/A	<input type="checkbox"/> B-0199-07-WS	N/A	<input type="checkbox"/> Quarter-Turn Eterna w/ Spring Check (Standard)
2.2	Standard	N/A	<input type="checkbox"/> B-0199-07	N/A	



T&S BRASS AND BRONZE WORKS, INC.



• 2 Saddleback Cove • Travelers Rest, SC 29690  
 Ph 800-476-4103 • Fax 864-834-3518  
 • Simi Valley, CA • Ph 800-423-0150 • www.tsbrass.com

Date: \_\_\_\_\_