



Foot Pedal Valves

B-0504-SL

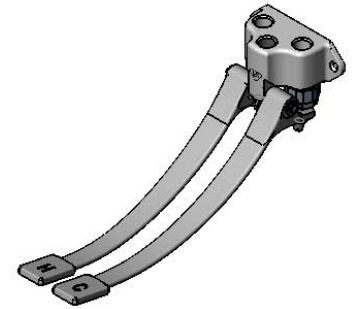
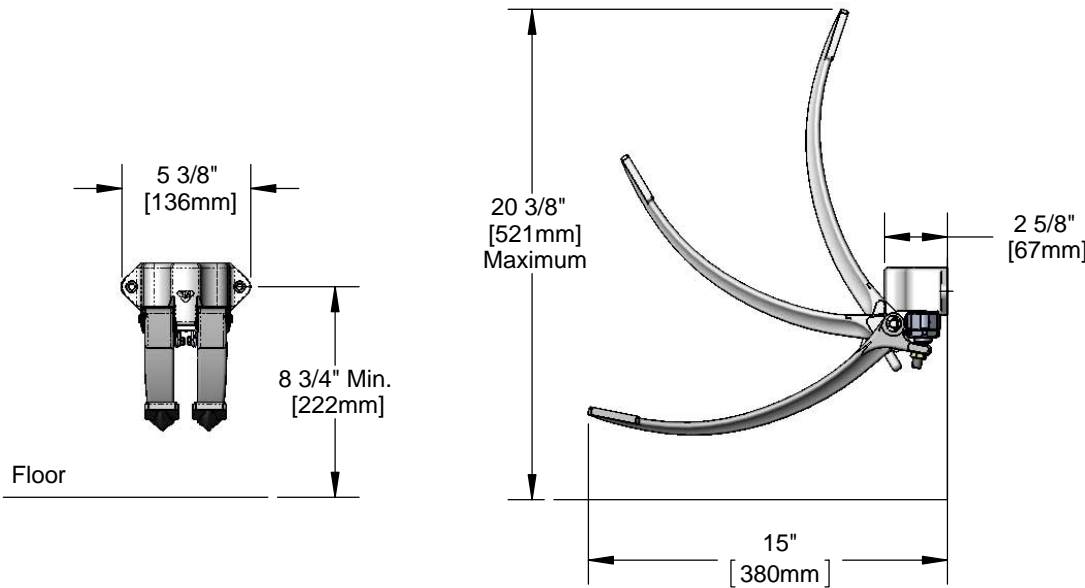
TAG:

Double Pedal Valve

Architect/Engineering Specifications:

Wall mount double pedal valve with chrome plated solid brass body, adjustable height aluminum pedals, slow self-closing metering cartridges, 1/2" NPT female inlets and outlet, mounting screws. Certified to ASME A112.18.1/CSA B125.1, NSF 61-Section 9 and NSF 372.

Job Name _____
 Model Specified _____ Quantity _____
 Variations Specified _____
 Date _____



Features & Benefits:

- Wall mount double pedal valve w/ chrome plated solid brass body
- Adjustable height hot and cold pedals
- Pedals flip up for floor cleaning
- Metering cartridges
- Adjustable metering cycle 10 to 30 seconds
- 1/2" NPT female inlets
- 1/2" NPT female outlet
- Wall mounting screws included
- Material: Polished chrome plated brass body and satin finish aluminum pedals

Optional Cartridges

- Fast self-closing cartridge
- Slow self-closing cartridge (Standard)

Product Compliance:

- ASME A112.18.1 / CSA B125.1
- NSF 61 - Section 9
- NSF 372 (Low Lead Content)

Warranty: One Year (Limited)

Performance Data:

- Pressure: 20 - 125 psi
- Temperature: 40°F - 140°F
- Flow Rate: 6.92 GPM @ 60 psi
- Water Consumption: @ 10 sec = 1.1 gal
@ 15 sec = 1.7 gal



T&S BRASS AND BRONZE WORKS, INC.



• 2 Saddleback Cove • Travelers Rest, SC 29690
 Ph 800-476-4103 • Fax 864-834-3518
 • Simi Valley, CA • Ph 800-423-0150 • www.tsbrass.com

Date: 04/25/15