



Architect/Engineering Specifications:

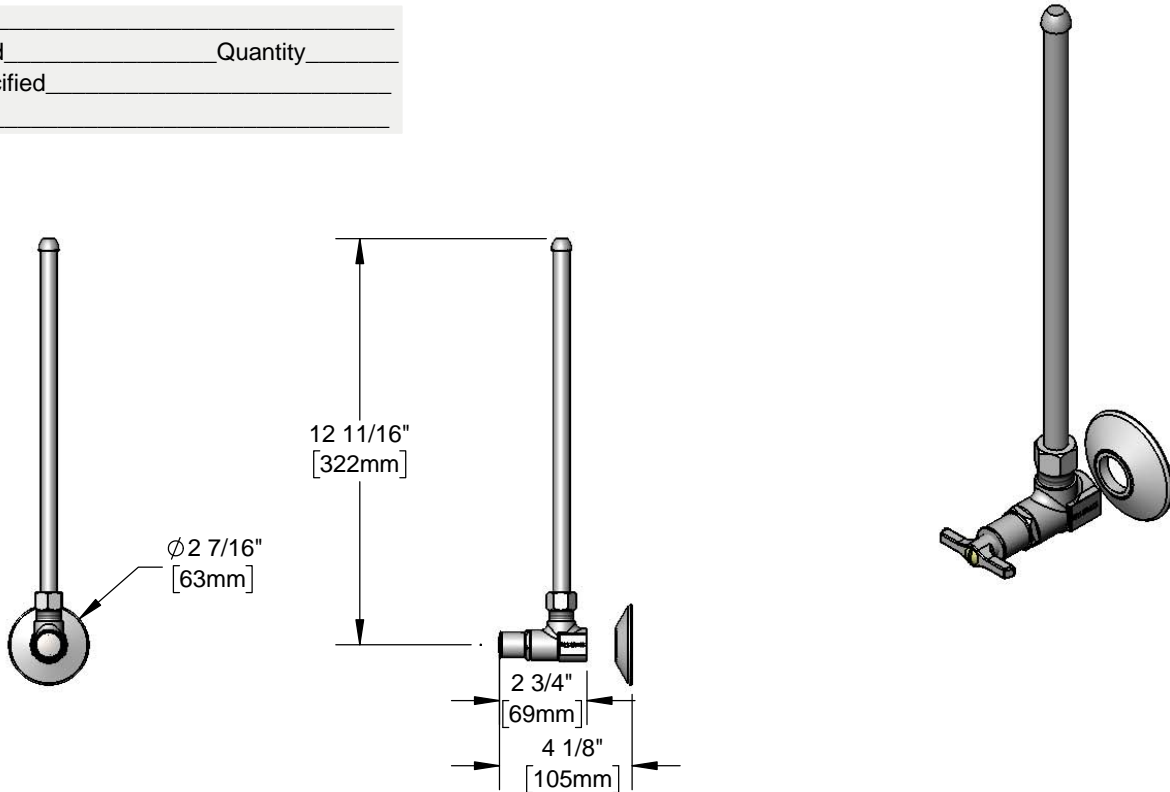
Flexible supply assembly with polished chrome plated brass body and loose key angle stop, 1/2" O.D. x 12" flexible copper tube, 1/2" NPT female inlet and Ø 2 1/2" wall flange. Certified to ASME A112.18.1/CSA B125.1, NSF 61-Section 9 and NSF 372.

Job Name _____

Model Specified _____ Quantity _____

Variations Specified _____

Date _____



Features & Benefits:

- Flexible supply assembly with polished chrome plated brass body
- 1/2" O.D. x 12" flexible copper supply tube
- Loose key angle stop
- 1/2" NPT female inlet
- Ø 2 1/2" wall flange
- Material: Polished chrome plated brass body, chrome plated metal wall flange & copper supply tube

Product Compliance:

- ASME A112.18.1 / CSA B125.1
- NSF 61 - Section 9
- NSF 372 (Low Lead Content)

Warranty: One Year (Limited)

Performance Data:

- Pressure: 20 - 125 psi
- Temperature: 40 °F - 140 °F
- Flow Rate: TBD GPM @ 60 psi

