



# T&S BRASS AND BRONZE WORKS, INC.

2 Saddleback Cove / P.O. Box 1088  
Travelers Rest, SC 29690

Model No.

**B-2821**

Item No.

Travelers Rest, SC: 800-476-4103 • Simi Valley, CA: 800-423-0150 • Fax: 864-834-3518 • www.tsbrass.com

This Space for Architect/Engineer Approval

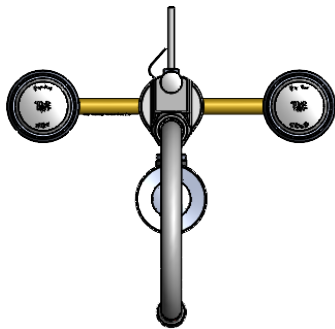
Job Name \_\_\_\_\_ Date \_\_\_\_\_

Model Specified \_\_\_\_\_ Quantity \_\_\_\_\_

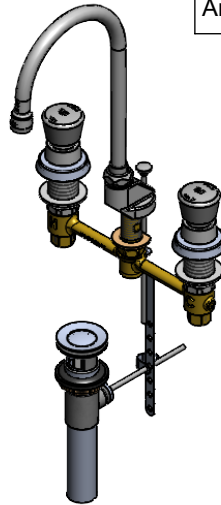
Customer/Wholesaler \_\_\_\_\_

Contractor \_\_\_\_\_

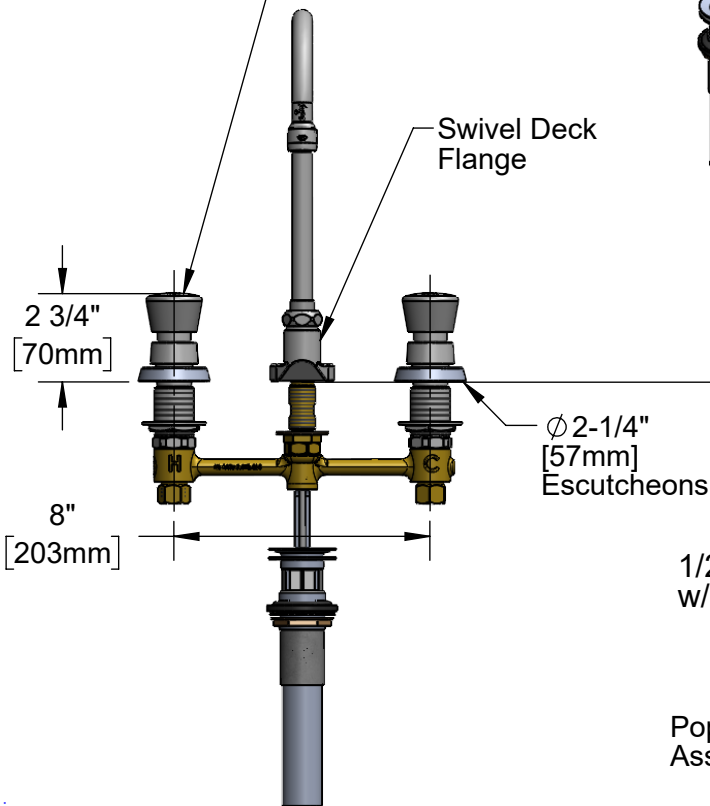
Architect/Engineer \_\_\_\_\_



Push Button  
Metering Caps



133X-A22  
Swivel Gooseneck w/  
2.2 GPM Aerator.  
Rigid Conversion Requires  
014200-45 Lock Washer  
(Included)



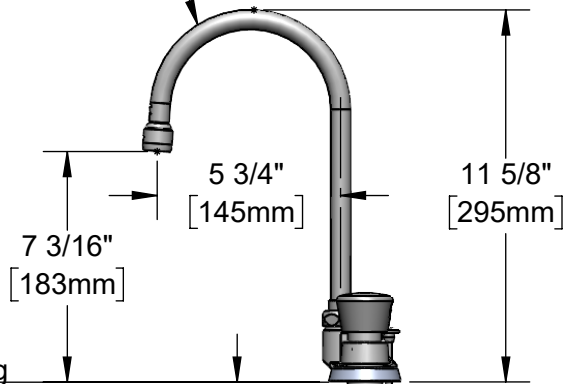
Swivel Deck  
Flange

2 3/4"  
[70mm]

8"  
[203mm]

Ø 2-1/4"  
[57mm]  
Escutcheons

Mounting  
Surface



7 3/16"  
[183mm]

5 3/4"  
[145mm]

11 5/8"  
[295mm]

Fits Sinks  
Up To  
1 1/4" Thick  
[32mm]

1/2" Male Inlets  
w/ Coupling Nuts

Pop-Up Drain  
Assembly

**Rough-In Requirements:**

Center Shank: Ø 1" [25mm] Mounting Hole

Hot/Cold Sides: Ø 1 1/2" [38mm] Mounting Holes

Pop-Up Drain: Fits Sinks with 1 7/16" [36mm] to 1 3/4" [44mm] Drain Hole

**Product Specifications:**

EasyInstall 8" Concealed Widespread Mixing Faucet, Metering Cartridges, Pop-Up Drain, Push Button Handles, 5 3/4" Rigid/Swivel Gooseneck w/ 2.2 GPM Aerator & 1/2" NPT Male Inlets w/ Coupling Nuts

**Product Compliance:**

ASME A112.18.1 / CSA B125.1  
NSF 61 - Section 9  
NSF 372 (Low Lead Content)



# T&S BRASS AND BRONZE WORKS, INC.

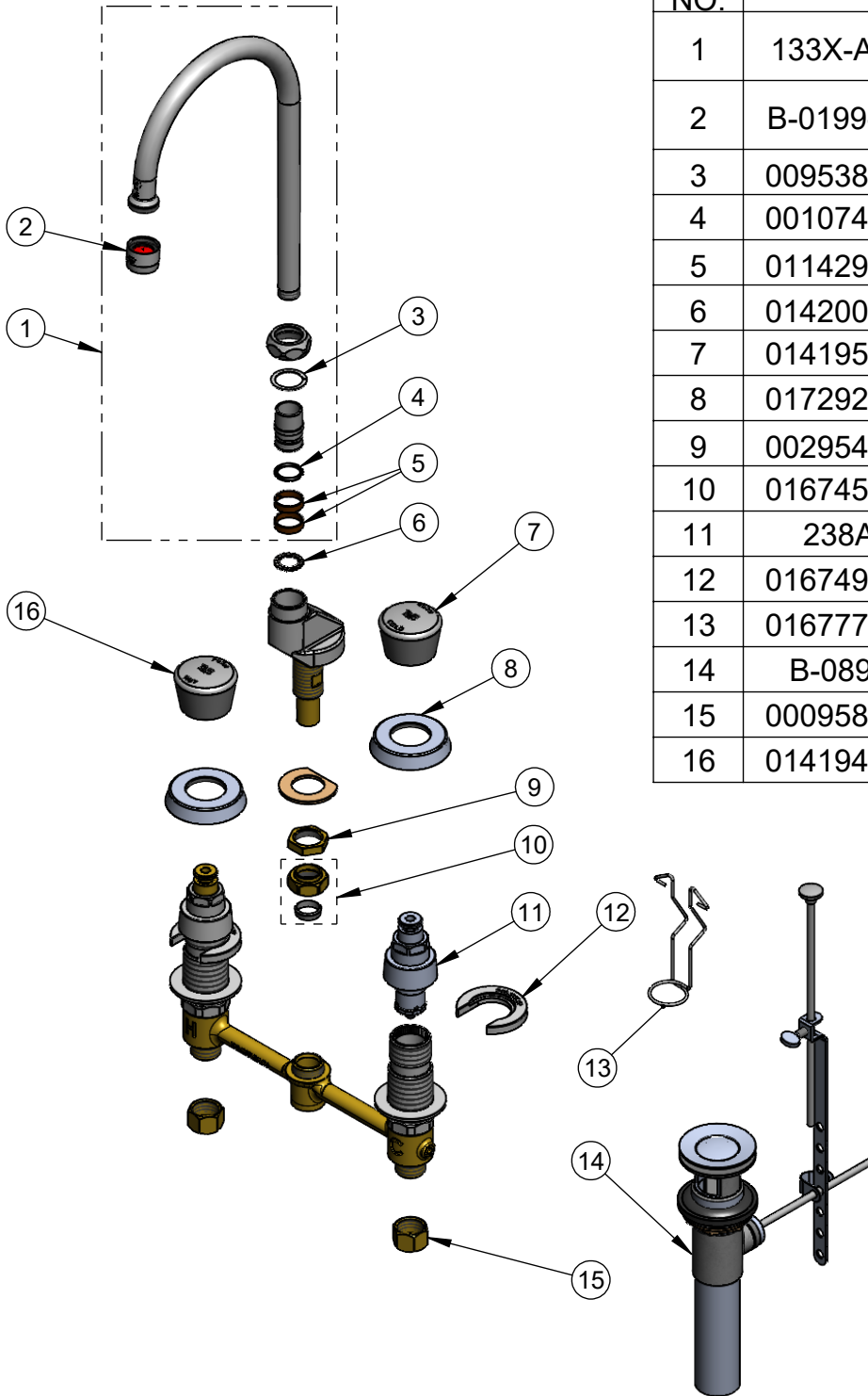
2 Saddleback Cove / P.O. Box 1088  
Travelers Rest, SC 29690

Model No.

**B-2821**

Item No.

Travelers Rest, SC: 800-476-4103 • Simi Valley, CA: 800-423-0150 • Fax: 864-834-3518 • www.tsbrass.com



ITEM NO.	SALES NO.	DESCRIPTION
1	133X-A22	5 3/4" Swivel Gooseneck w/ 2.2 GPM Aerator
2	B-0199-01	2.2 GPM Aerator, 55/64-27 UN Female
3	009538-45	Swivel Washer
4	001074-45	O-Ring
5	011429-45	Swivel Sleeves (2)
6	014200-45	Star Washer, Anti-Rotation
7	014195-40	Cold Cap Assembly
8	017292-45	Metering CWS Escutcheon
9	002954-45	Shank Lock Nut
10	016745-45	Compression Nut & Fitting
11	238A	Push Button Metering Cartridge
12	016749-45	Sidebody C-Washer
13	016777-45	CWS Hanger
14	B-0898	Pop-Up Drain
15	000958-20	Coupling Nut
16	014194-40	Hot Cap Assembly

**Product Specifications:**

EasyInstall 8" Concealed Widespread Mixing Faucet, Metering Cartridges, Pop-Up Drain, Push Button Handles, 5 3/4" Rigid/Swivel Gooseneck w/ 2.2 GPM Aerator & 1/2" NPT Male Inlets w/ Coupling Nuts

**Product Compliance:**

ASME A112.18.1 / CSA B125.1  
NSF 61 - Section 9  
NSF 372 (Low Lead Content)