



# T&S BRASS AND BRONZE WORKS, INC.

2 Saddleback Cove / P.O. Box 1088  
Travelers Rest, SC 29690

Model No.

**B-0669-POL**

Item No.

Travelers Rest, SC: 800-476-4103 • Simi Valley, CA: 800-423-0150 • Fax: 864-834-3518 • www.tsbrass.com



**ADA Compliant**

This Space for Architect/Engineer Approval

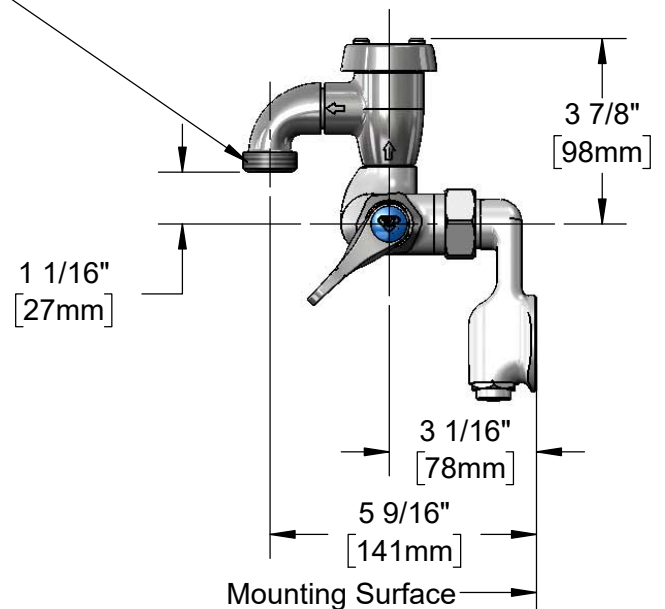
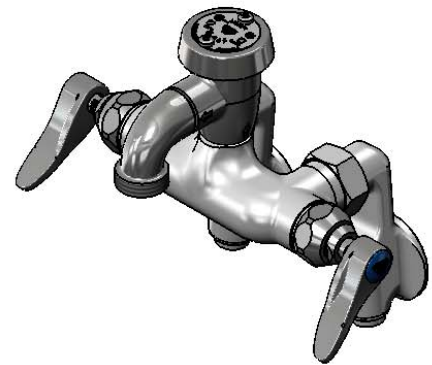
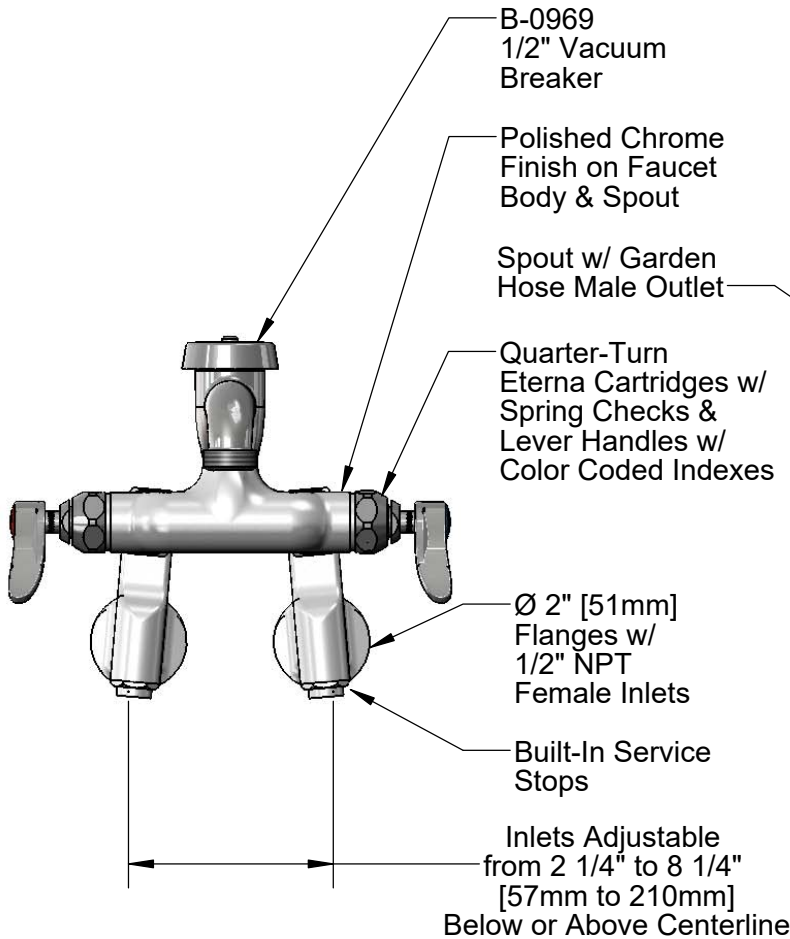
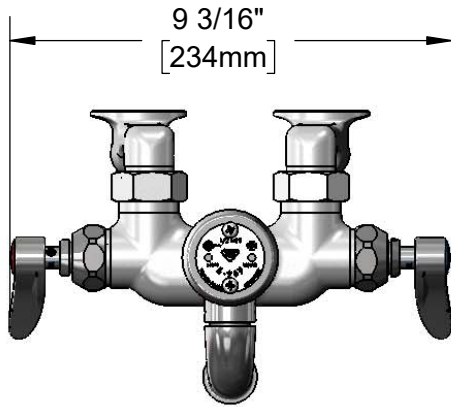
Job Name \_\_\_\_\_ Date \_\_\_\_\_

Model Specified \_\_\_\_\_ Quantity \_\_\_\_\_

Customer/Wholesaler \_\_\_\_\_

Contractor \_\_\_\_\_

Architect/Engineer \_\_\_\_\_



**Product Specifications:**

Wall Mount Service Sink Faucet, Quarter-Turn Eterna Cartridges w/ Spring Checks, Lever Handles, Spout w/ Garden Hose Male Outlet, Polished Chrome Finish, 1/2" Vacuum Breaker & 1/2" NPT Female Adjustable Inlets w/ Built-In Service Stops

**Product Compliance:**

ASME A112.18.1 / CSA B125.1  
NSF 61 - Section 9  
NSF 372 (Low Lead Content)  
ANSI A117.1 (ADA)  
ASSE 1001 (VB)



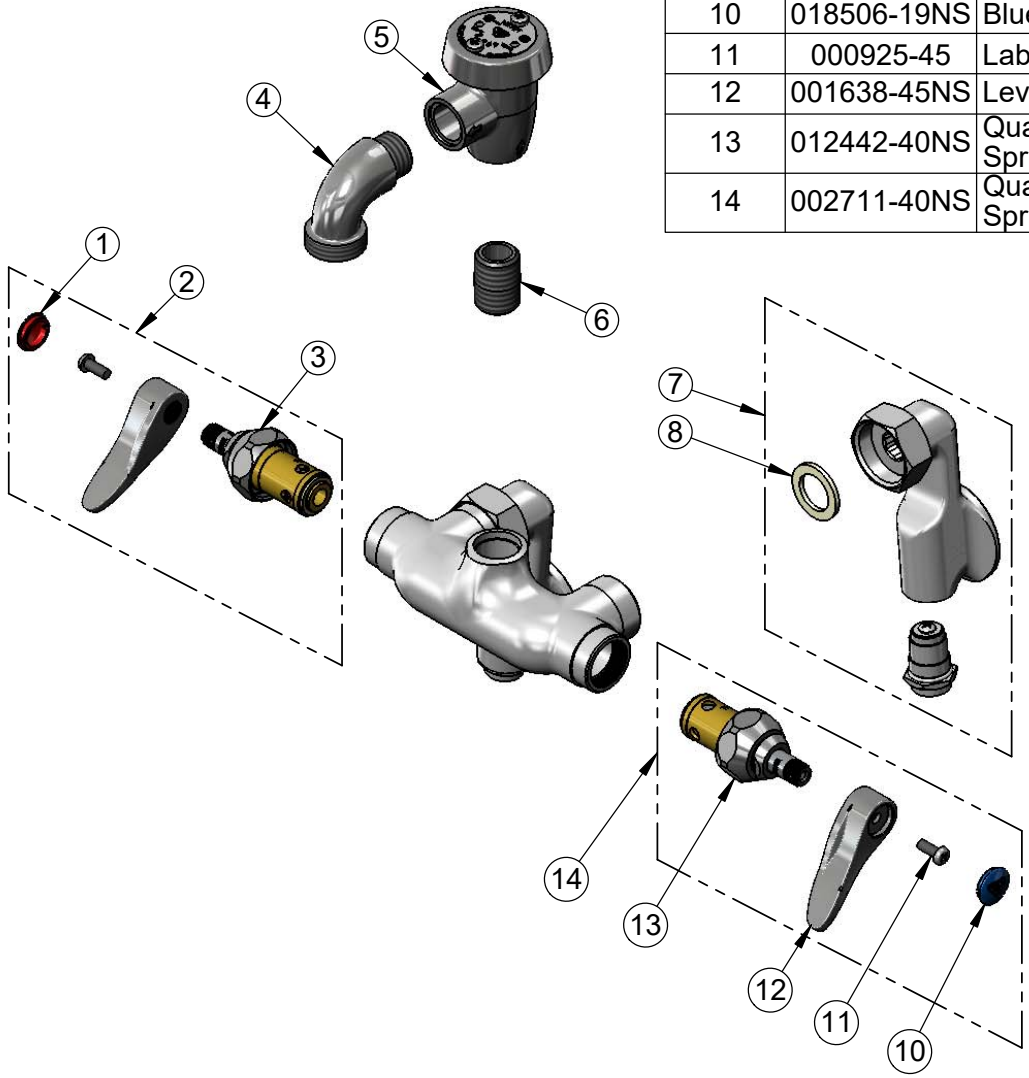
**T&S BRASS AND BRONZE WORKS, INC.**  
 2 Saddleback Cove / P.O. Box 1088  
 Travelers Rest, SC 29690

Model No.  
**B-0669-POL**

Item No.

Travelers Rest, SC: 800-476-4103 • Simi Valley, CA: 800-423-0150 • Fax: 864-834-3518 • www.tsbrass.com

ITEM NO.	SALES NO.	DESCRIPTION
1	001193-19NS	Red Button Index, Press-in
2	002712-40NS	Quarter-Turn Eterna Cartridge, RTC w/ Spring Check, Handle, Index & Screw
3	012443-40NS	Quarter-Turn Eterna Cartridge, RTC w/ Spring Check
4	001618-40	Spout, Short
5	B-0969	1/2" NPT Vacuum Breaker
6	002534-25	Close Nipple, 1/2" NPT
7	00XX	1/2" NPT Fem. Adj. Arm Inlet w/ Screwdriver Stop
8	001019-45	Coupling Nut Washer
9	163A	Built-in Service Stop
10	018506-19NS	Blue Button Index, Press-in
11	000925-45	Lab Handle Screw
12	001638-45NS	Lever Handle (New Style)
13	012442-40NS	Quarter-Turn Eterna Cartridge, LTC w/ Spring Check
14	002711-40NS	Quarter-Turn Eterna Cartridge, LTC w/ Spring Check, Handle, Index & Screw



**Product Specifications:**  
 Wall Mount Service Sink Faucet, Quarter-Turn Eterna Cartridges w/ Spring Checks, Lever Handles, Spout w/ Garden Hose Male Outlet, Polished Chrome Finish, 1/2" Vacuum Breaker & 1/2" NPT Female Adjustable Inlets w/ Built-In Service Stops

**Product Compliance:**  
 ASME A112.18.1 / CSA B125.1  
 NSF 61 - Section 9  
 NSF 372 (Low Lead Content)  
 ANSI A117.1 (ADA)  
 ASSE 1001 (VB)