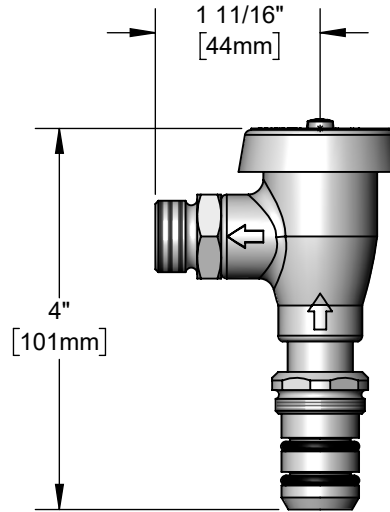
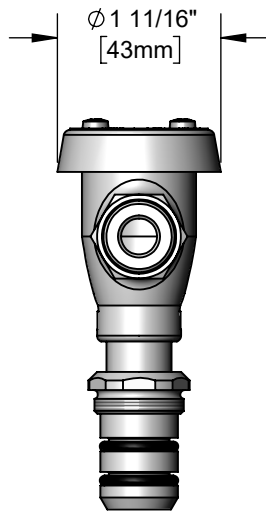




**Architect/Engineering Specifications:**

Atmospheric vacuum breaker with swivel inlet and 3/8" NPSM female outlet. Certified to ASME A112.18/CSA B125.1, NSF 61-Section 9, NSF 372 and ASSE 1001.

Job Name _____
Model Specified _____ Quantity _____
Variations Specified _____
Date _____



**Features & Benefits:**

- Atmospheric vacuum breaker
- Swivel inlet
- 3/8" NPSM male outlet
- Material: Polished chrome plated brass

**Product Compliance:**

- ASME A112.18.1 / CSA B125.1
- NSF 61 - Section 9
- NSF 372 (Low Lead Content)
- ASSE 1001 (VB)



**Warranty:** One Year (Limited)



**Performance Data:**

- Pressure: 20 - 125 psi [1.38 - 8.62 bar]
- Temperature: 40°F - 140°F [4.44°C - 60°C]
- Flow Rate: 11.10 GPM [42.0 L/min] @ 60 psi [4.14 bar]

