



Architect/Engineering Specifications:

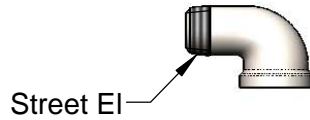
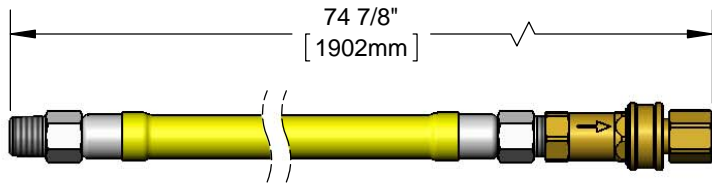
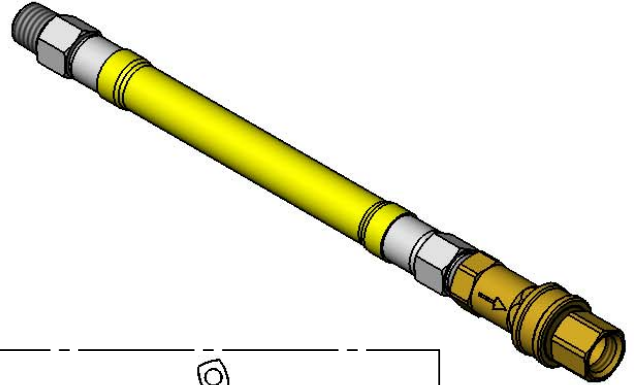
72" coated gas appliance connector hose with 1/2" NPT male connections and quick-disconnect. Certified to ANSI Z21.69/CSA 6.16 and NSF 2.

Job Name _____

Model Specified _____ Quantity _____

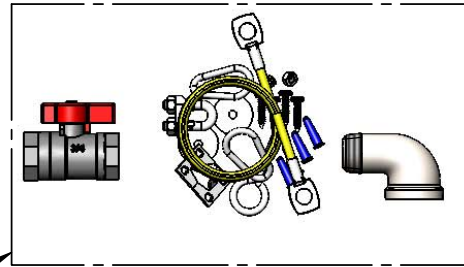
Variations Specified _____

Date _____



Street El

Installation Kit:



Features & Benefits:

- 72" coated gas appliance connector
- 1/2" NPT male freespin inlet
- 1/2" NPT male freespin outlet
- 1/2" NPT female quick-disconnect
- Street elbow included
- 360° rotatable hex nut rotates completely and freely
- Optimum torsional relief improves safety, increases connector life
- Provides efficient, full gas flow
- Quick-disconnect socket acts as shut-off valve when the plug and socket are disconnected
- Material: Extruded coated stainless steel braids

Product Compliance:

- ANSI Z21.69 / CSA 6.16
- NSF 2
- NFPA 54



Warranty: Five Year (Limited)



Performance Data:

- Pressure: 1/2 psi max
- Temperature: 350° F max w/ Fusible Link Thermal Shut-off
- Capacity: 55,000 BTU / hr min

