



**T&S BRASS AND BRONZE WORKS, INC.**  
 2 Saddleback Cove / P.O. Box 1088  
 Travelers Rest, SC 29690

Model No.

**PG-8DSAN-10**

Item No.

Travelers Rest, SC: 800-476-4103 • Simi Valley, CA: 800-423-0150 • Fax: 864-834-3518 • www.tsbrass.com

This Space for Architect/Engineer Approval

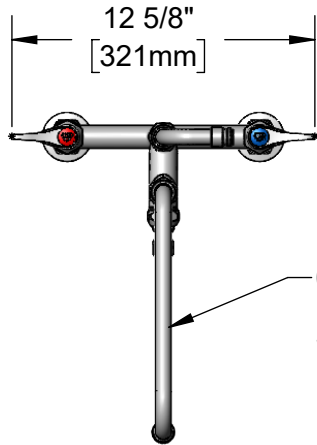
Job Name \_\_\_\_\_ Date \_\_\_\_\_

Model Specified \_\_\_\_\_ Quantity \_\_\_\_\_

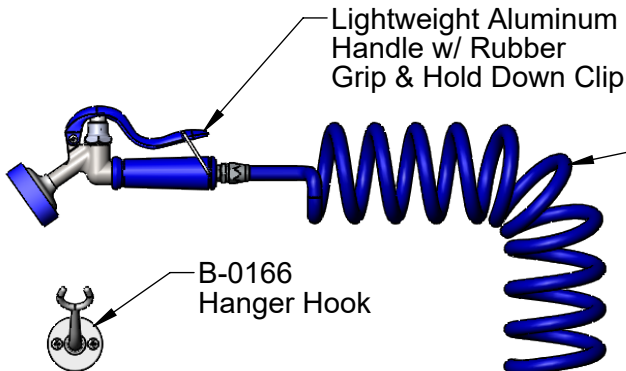
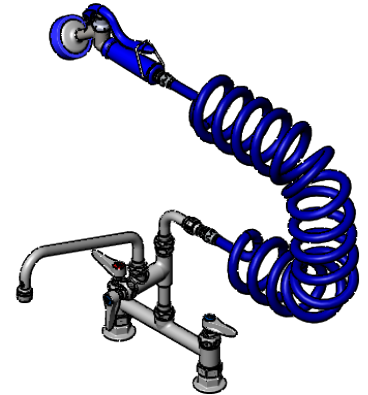
Customer/Wholesaler \_\_\_\_\_

Contractor \_\_\_\_\_

Architect/Engineer \_\_\_\_\_



061X  
 10" Swing Nozzle w/  
 Stream Regulator Outlet



Coiled Polyurethane Hose  
 Maximum Stretch Length of 9 ft

B-0166  
 Hanger Hook

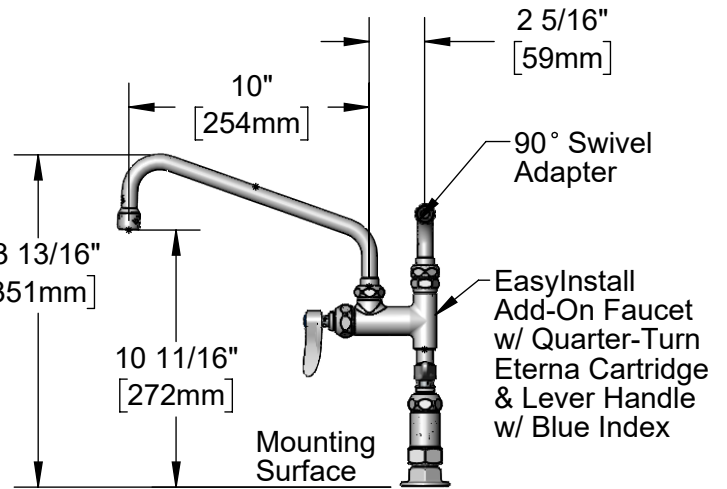
EasyInstall  
 Lock Nut &  
 Bushing

Quarter-Turn  
 Eterna Cartridges w/  
 Spring Checks &  
 Lever Handles w/  
 Color Coded Indexes

5 3/16"  
 [131mm]

8"  
 [203mm]  
 Adjustable From  
 7 3/4" to 8 1/4"  
 [197mm to 210 mm]

Ø2" [51mm]  
 Flanges w/  
 1/2" NPT  
 Female Inlets



2 5/16"  
 [59mm]

90° Swivel  
 Adapter

EasyInstall  
 Add-On Faucet  
 w/ Quarter-Turn  
 Eterna Cartridge  
 & Lever Handle  
 w/ Blue Index

Mounting  
 Surface

**Product Specifications:**

**Pet Grooming Unit:**  
 8" Deck Mount Mixing Faucet, Quarter-Turn Eterna Cartridges w/ Spring Checks, Lever Handles, Add-On Faucet, 10" Swing Nozzle w/ Stream Regulator Outlet, Swivel Arm, 9 ft Coiled Polyurethane Hose w/ Angled Aluminum Spray Valve & 1/2" NPT Female Inlets

**Product Compliance:**

ASME A112.18.1 / CSA B125.1  
 NSF 61 Exempt (Non-Potable)



# T&S BRASS AND BRONZE WORKS, INC.

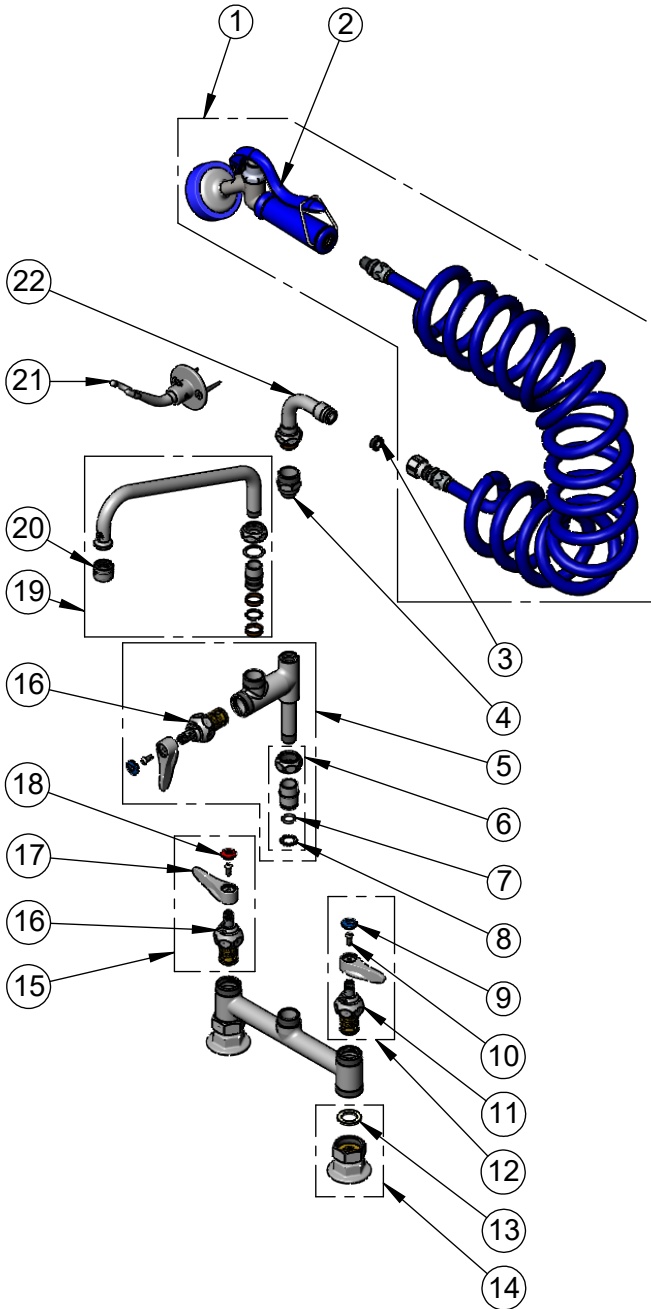
2 Saddleback Cove / P.O. Box 1088  
Travelers Rest, SC 29690

Model No.

**PG-8DSAN-10**

Item No.

Travelers Rest, SC: 800-476-4103 • Simi Valley, CA: 800-423-0150 • Fax: 864-834-3518 • www.tsbrass.com



| ITEM NO. | SALES NO.    | DESCRIPTION  |
|----------|--------------|--|
| 1        | PG-35AV-CH05 | Spray Valve w/ 9' of Coiled Hose   |
| 2        | PG-35AV      | Aluminum 35° Spray Valve   |
| 3        | 010476-45    | #27 Washer   |
| 4        | B-0412       | Rigid to Swivel Adapter  |
| 5        | B-0155-LNEZ  | EasyInstall Add-On Faucet, Eterna Cartridge & Lever Handle, Less Nozzle        |
| 6        | EZ-K         | EasyInstall Kit  |
| 7        | 001065-45    | O-Ring   |
| 8        | 014200-45    | Star Washer, Anti-Rotation   |
| 9        | 018506-19NS  | Blue Button Index, Press-in  |
| 10       | 000925-45    | Lab Handle Screw   |
| 11       | 012442-40NS  | Quarter-Turn Eterna Cartridge w/ Spring Check, LTC                             |
| 12       | 002711-40NS  | Quarter-Turn Eterna Cartridge w/ Spring Check, Handle, Blue Index & Screw, LTC |
| 13       | 001019-45    | Coupling Nut Washer  |
| 14       | 00AA         | 1/2" NPT Female Eccentric Flange   |
| 15       | 002712-40NS  | Quarter-Turn Eterna Cartridge w/ Spring Check, Handle, Red Index & Screw, RTC  |
| 16       | 012443-40NS  | Quarter-Turn Eterna Cartridge w/ Spring Check, RTC                             |
| 17       | 001638-45NS  | Lever Handle (New Style)   |
| 18       | 001193-19NS  | Red Button Index, Press-in   |
| 19       | 061X         | 10" Swing Nozzle w/ Stream Regulator Outlet                                    |
| 20       | B-PT         | Full Flow Stream Regulator, 55/64-27   |
| 21       | B-0166       | Wall Hook  |
| 22       | 034A         | Spray Valve 90° Angle Tube   |

**Product Specifications:**

**Pet Grooming Unit:**

8" Deck Mount Mixing Faucet, Quarter-Turn Eterna Cartridges w/ Spring Checks, Lever Handles, Add-On Faucet, 10" Swing Nozzle w/ Stream Regulator Outlet, Swivel Arm, 9 ft Coiled Polyurethane Hose w/ Angled Aluminum Spray Valve & 1/2" NPT Female Inlets

**Product Compliance:**

ASME A112.18.1 / CSA B125.1  
NSF 61 Exempt (Non-Potable)