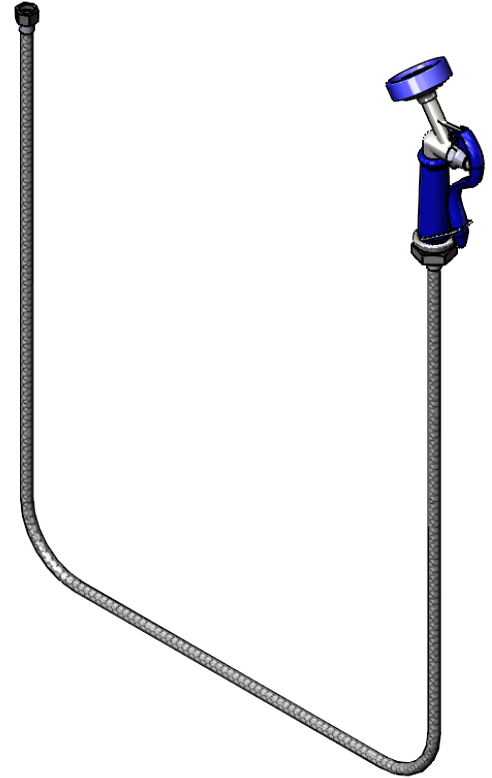
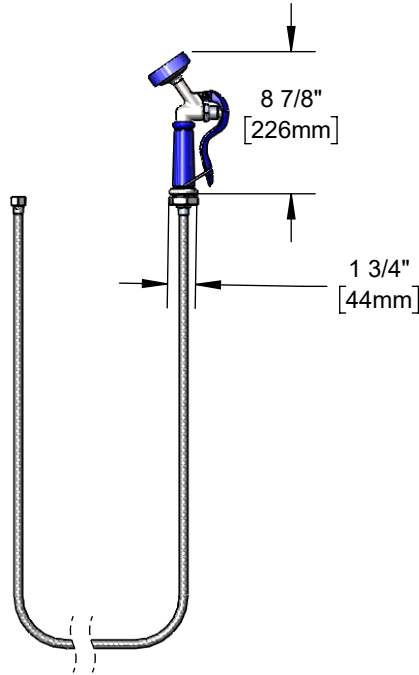
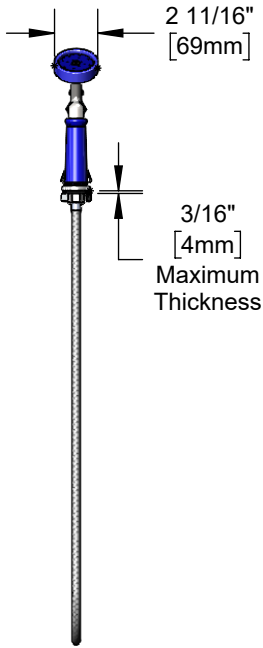




Architect/Engineering Specifications:

Aluminum 35° angle spray valve with 7' vinyl hose, protective deck flange, adapters, heat resistant handle and hold down clip.

Job Name _____
 Model Specified _____ Quantity _____
 Variations Specified _____
 Date _____



Features & Benefits:

- 35° angle spray valve
- 7' vinyl hose
- Protective deck flange
- 1/8" NPT x 3/4-14 UN male thread adapter included
- 1/4" NPT x 3/4-14 UN male thread adapter included
- Heat resistant rubber grip handle
- Hold down clip
- Material: Aluminum body and vinyl hose

Product Compliance:

- NSF 61 Exempt (Non-Potable)

Warranty: One Year (Limited)

Performance Data:

- Pressure: 20 - 125 psi [1.38 - 8.62 bar]
- Temperature: 40°F - 140°F [4.44°C - 60°C]
- Flow Rate: 5.05 GPM [19.11 L/min] @ 60 psi [4.14 bar]

