



T&S BRASS AND BRONZE WORKS, INC.

2 Saddleback Cove / P.O. Box 1088
Travelers Rest, SC 29690

Model No.

B-0655-BSTR

Item No.

Travelers Rest, SC: 800-476-4103 • Simi Valley, CA: 800-423-0150 • Fax: 864-834-3518 • www.tsbrass.com



ADA Compliant

This Space for Architect/Engineer Approval

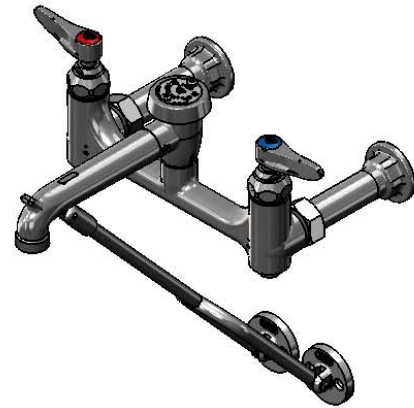
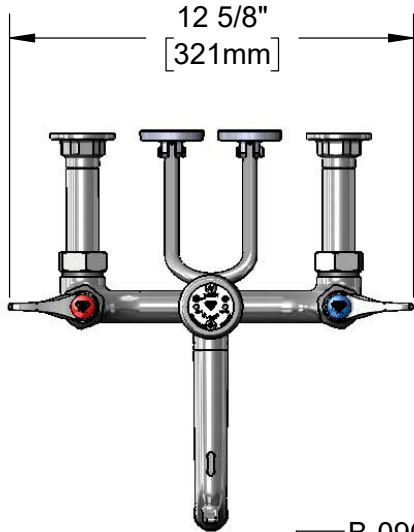
Job Name _____ Date _____

Model Specified _____ Quantity _____

Customer/Wholesaler _____

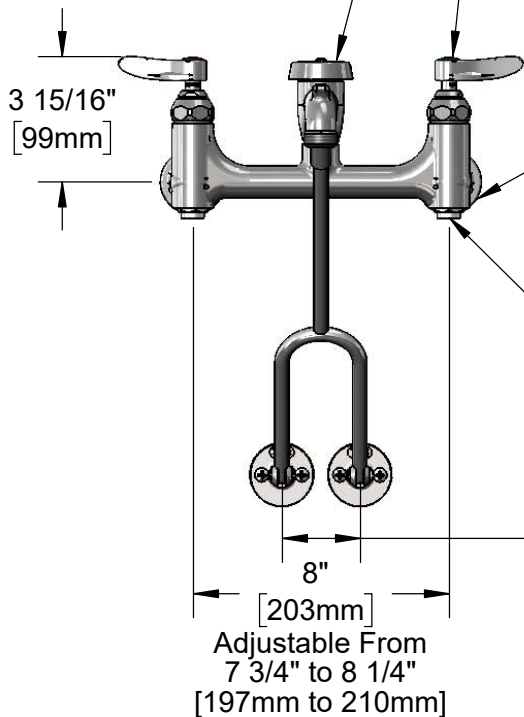
Contractor _____

Architect/Engineer _____



B-0969
1/2" NPT Vacuum Breaker

Quarter-Turn Eterna Cartridges w/
Spring Checks & Lever Handles w/
Color Coded Indexes



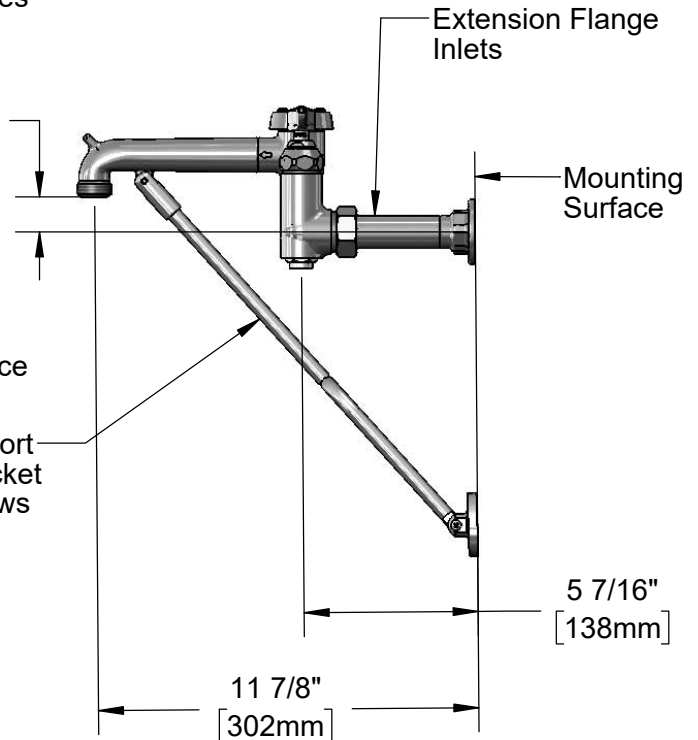
1 1/8"
[28mm]

Ø 2" [51mm]
Flanges w/
1/2" NPT
Female Inlets

Built-In Service
Stops

Lower Wall Support
Rod w/ Wall Bracket
& Mounting Screws

2 7/16"
[62mm]



Product Specifications:

8" Wall Mount Service Sink Faucet, Eterna Cartridges w/ Spring Checks, Lever Handles, Lower Support Rod, Garden Hose Male Outlet, Rough Chrome Finish, Built-In Service Stops, 1/2" NPT Vacuum Breaker & 1/2" NPT Female Extended Inlets

Product Compliance:

ASME A112.18.1 / CSA B125.1
NSF 61 - Section 9
NSF 372 (Low Lead Content)
ANSI A117.1 (ADA)
ASSE 1001 (VB)



T&S BRASS AND BRONZE WORKS, INC.

2 Saddleback Cove / P.O. Box 1088
Travelers Rest, SC 29690

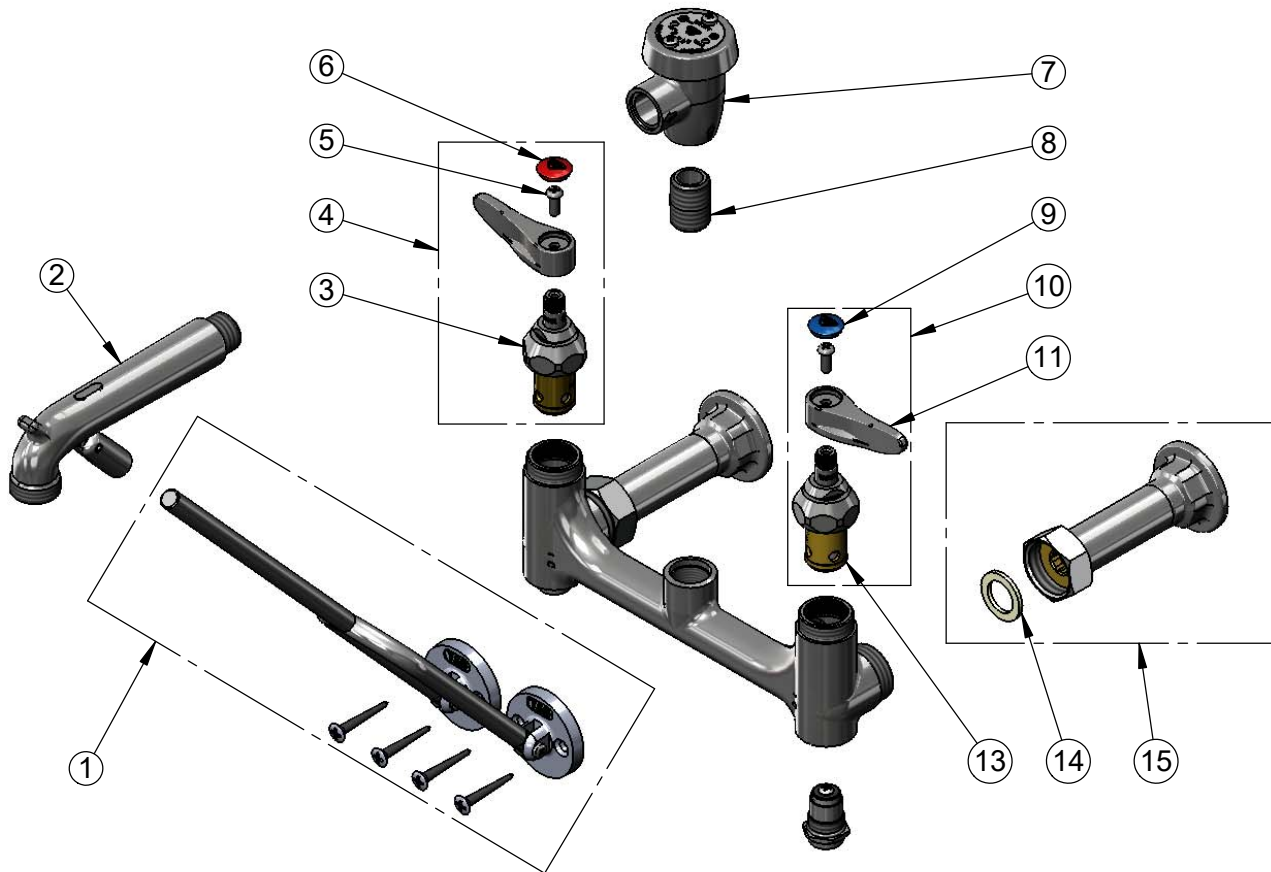
Model No.

B-0655-BSTR

Item No.

Travelers Rest, SC: 800-476-4103 • Simi Valley, CA: 800-423-0150 • Fax: 864-834-3518 • www.tsbrass.com

ITEM NO.	SALES NO.	DESCRIPTION
1	009616-40	Lower Wall Support w/ Mounting Screws
2	016450-25	Spout, Rough Chrome w/ Bottom Support Clevis
3	012443-40NS	Quarter-Turn Eterna Cartridge w/ Spring Check, RTC
4	002712-40NS	Quarter-Turn Eterna Cartridge w/ Spring Check, Handle, Red Index & Screw, RTC
5	000925-45	Lab Handle Screw
6	001193-19NS	Red Button Index, Press-in
7	B-0969	1/2" NPT Vacuum Breaker
8	002534-25	Close Nipple, 1/2" NPT
9	018506-19NS	Blue Button Index, Press-in
10	012447-25NS	Quarter-Turn Cerama Cartridge w/ Check Valve, Handle, Blue Index & Screw, LTC
11	001638-45NS	Lever Handle (New Style)
12	163A	Built-in Service Stop
13	012395-25NS	Quarter-Turn Cerama Cartridge w/ Check Valve, LTC
14	001019-45	Coupling Nut Washer
15	B-0441	1/2" x 4" Extension Flange Inlet



Product Specifications:

8" Wall Mount Service Sink Faucet, Eterna Cartridges w/ Spring Checks, Lever Handles, Lower Support Rod, Garden Hose Male Outlet, Rough Chrome Finish, Built-In Service Stops, 1/2" NPT Vacuum Breaker & 1/2" NPT Female Extended Inlets

Product Compliance:

ASME A112.18.1 / CSA B125.1
NSF 61 - Section 9
NSF 372 (Low Lead Content)
ANSI A117.1 (ADA)
ASSE 1001 (VB)