



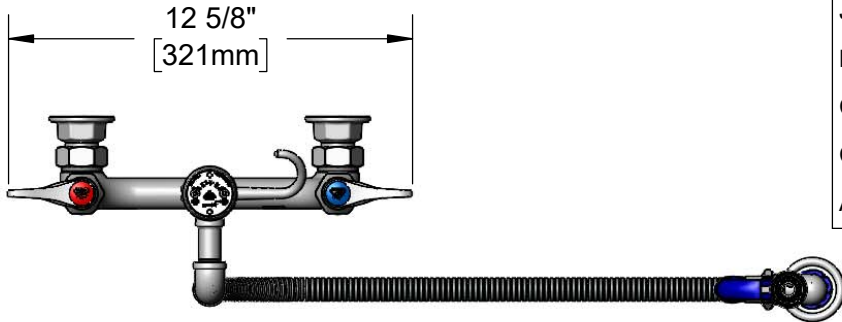
**T&S BRASS AND BRONZE WORKS, INC.**  
 2 Saddleback Cove / P.O. Box 1088  
 Travelers Rest, SC 29690

Model No.  
**B-2312-CR**  
 Item No.

Travelers Rest, SC: 800-476-4103 • Simi Valley, CA: 800-423-0150 • Fax: 864-834-3518 • www.tsbrass.com

This Space for Architect/Engineer Approval

Job Name \_\_\_\_\_ Date \_\_\_\_\_  
 Model Specified \_\_\_\_\_ Quantity \_\_\_\_\_  
 Customer/Wholesaler \_\_\_\_\_  
 Contractor \_\_\_\_\_  
 Architect/Engineer \_\_\_\_\_



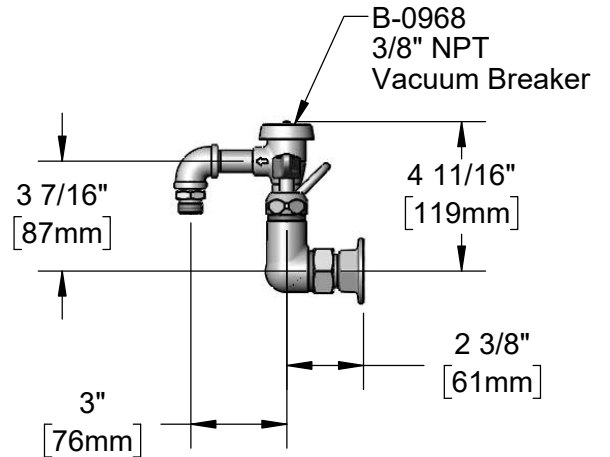
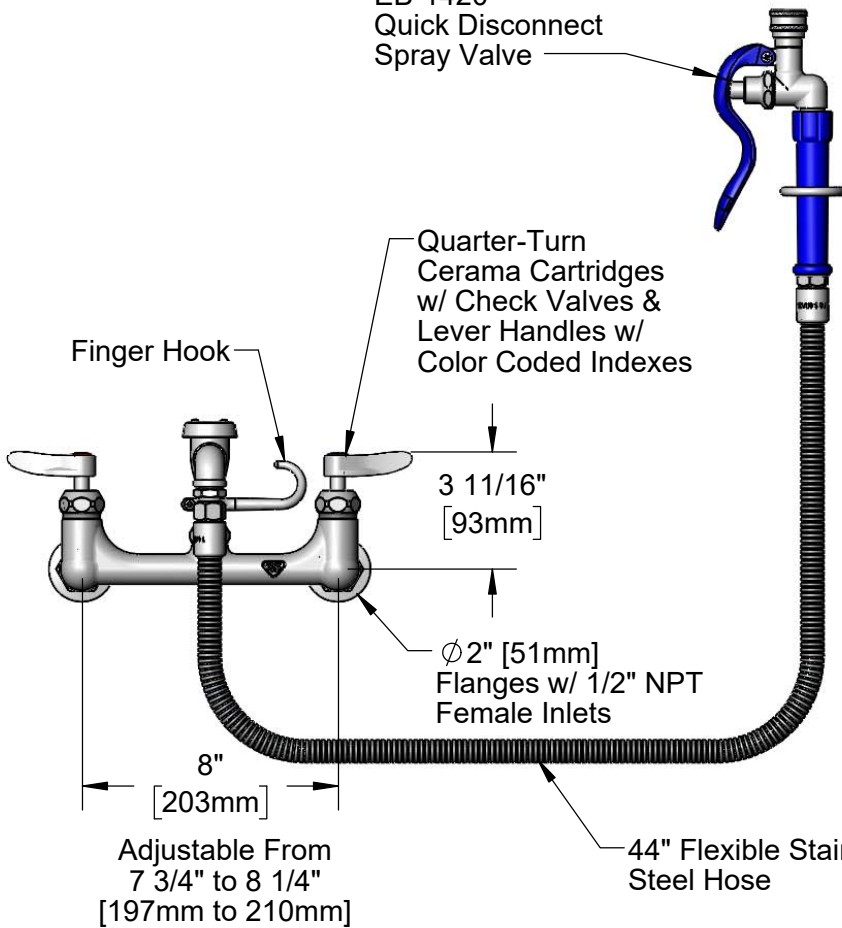
EB-1420  
 Quick Disconnect  
 Spray Valve

EB-1421  
 Quick  
 Disconnect  
 Spray Valve

B-1422  
 Quick Disconnect  
 Jet Spray

B-1424  
 Quick Disconnect  
 Hook Nozzle

Quick Disconnect  
 Spray Valve Accessories



**Product Specifications:**

8" Wall Mount Mixing Faucet, Quarter-Turn Cerama Cartridges w/ Check Valves, Lever Handles, 3/8" NPT Vacuum Breaker, 44" Flexible Stainless Steel Hose, Quick Disconnect Spray Valve w/ Blue Handle & Blue Quick Disconnect Spray Valve, Quick Disconnect Jet Spray, Quick Disconnect Hook Nozzle & 1/2" NPT Female Inlets

**Product Compliance:**

ASME A112.18.1 / CSA B125.1  
 NSF 61 - Section 9  
 NSF 372 (Low Lead Content)  
 ASSE 1001 (VB)  
 2019 DOE PRSV Non-Compliant

# T&S BRASS AND BRONZE WORKS, INC.

2 Saddleback Cove / P.O. Box 1088  
Travelers Rest, SC 29690

Model No.

**B-2312-CR**

Item No.

Travelers Rest, SC: 800-476-4103 • Simi Valley, CA: 800-423-0150 • Fax: 864-834-3518 • www.tsbrass.com

	ITEM NO.	SALES NO.	DESCRIPTION
	1	012446-25NS	Quarter-Turn Cerama Cartridge w/ Check Valve, Handle, Red Index & Screw, RTC
	2	012394-25 NS	Quarter-Turn Cerama Cartridge w/ Check Valve, RTC
	3	001638-45NS	Lever Handle (New Style)
	4	000925-45	Lab Handle Screw
	5	001193-19NS	Red Button Index, Press-in
	6	053A	Adapter, 3/8" NPT x 3/4-14UN
	7	001355-40	Elbow, 3/8 NPT
	8	000357-40	Nipple, 3/8" NPT x 2"
	9	B-0968	3/8" NPT Vacuum Breaker
	10	004R	Finger Hook
	11	EZ-K	EasyInstall Kit
	12	001065-45	O-Ring
	13	014200-45	Star Washer, Anti-Rotation
	14	018506-19NS	Blue Button Index, Press-in
	15	012447-25NS	Quarter-Turn Cerama Cartridge w/ Check Valve, Handle, Blue Index & Screw, LTC
	16	012395-25NS	Quarter-Turn Cerama Cartridge w/ Check Valve, LTC
	17	EB-1420	Quick Disconnect Spray Valve
	18	000907-45	Spray Valve Hold Down Ring
	19	010476-45	#27 Washer
	20	011482-40	Blue Grip Handle
	21	00AA	1/2" NPT Female Eccentric Flange
	22	001014-45	Washer, B-0100 Hose Barrel
	23	001019-45	Coupling Nut Washer
	24	B-0044-H2A	44" Flexible Stainless Steel Hose, Less Handle
	25	B-1422	Straight Nozzle Jet
	26	EB-1421	Quick Disconnect High Flow Spray
	27	B-1424	Quick Disconnect Hook Nozzle

**Product Specifications:**  
8" Wall Mount Mixing Faucet, Quarter-Turn Cerama Cartridges w/ Check Valves, Lever Handles, 3/8" NPT Vacuum Breaker, 44" Flexible Stainless Steel Hose, Quick Disconnect Spray Valve w/ Blue Handle & Blue Quick Disconnect Spray Valve, Quick Disconnect Jet Spray, Quick Disconnect Hook Nozzle & 1/2" NPT Female Inlets

**Product Compliance:**  
ASME A112.18.1 / CSA B125.1  
NSF 61 - Section 9  
NSF 372 (Low Lead Content)  
ASSE 1001 (VB)  
2019 DOE PRSV Non-Compliant