



T&S BRASS AND BRONZE WORKS, INC.

2 Saddleback Cove / P.O. Box 1088
Travelers Rest, SC 29690

Model No.

B-2347-02-WH4CR

Item No.

Travelers Rest, SC: 800-476-4103 • Simi Valley, CA: 800-423-0150 • Fax: 864-834-3518 • www.tsbrass.com



ADA Compliant

This Space for Architect/Engineer Approval

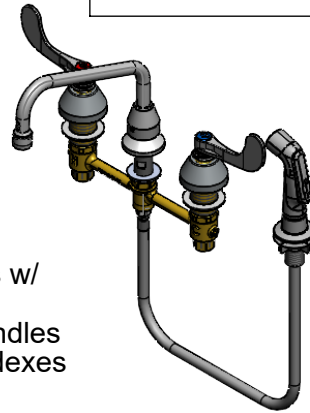
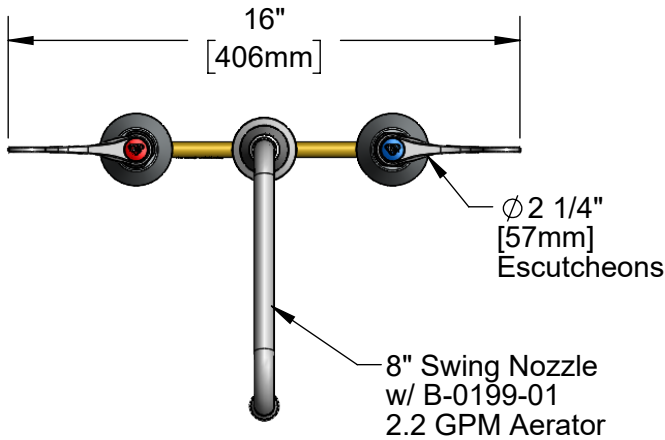
Job Name _____ Date _____

Model Specified _____ Quantity _____

Customer/Wholesaler _____

Contractor _____

Architect/Engineer _____



Quarter-Turn
Cerama Cartridges w/
Check Valves &
4" Wrist Action Handles
w/ Color Coded Indexes

Sidespray w/
4' Vinyl Hose &
Hose Guide

Ø 2"
[51mm]
Swivel Deck
Flange

Hose Guide
w/ Lock Nut

Mounting
Surface

7 1/8"
[182mm]

4"
[101mm]

8"
[204mm]

1 1/4"
[32mm]
Maximum
Thickness

1/2" NPT
Coupling Nuts

8"
[203mm]

Rough-In Requirement:
Ø 1" [25mm] for Center Shank and Sidespray
Ø 1 1/2" [38mm] for Hot/Cold Side

Product Specifications:
8" Concealed Widespread EasyInstall Mixing Faucet, 4' Sidespray, 8" Swing Nozzle w/ 2.2 GPM Aerator, 4" Wrist Action Handles, Quarter-Turn Cerama Cartridges w/ Check Valves & 1/2" NPT Male Inlets w/ Coupling Nuts

Product Compliance:
ASME A112.18.1 / CSA B125.1
NSF 61 - Section 9
NSF 372 (Low Lead Content)
ANSI A117.1 (ADA)



T&S BRASS AND BRONZE WORKS, INC.

2 Saddleback Cove / P.O. Box 1088
Travelers Rest, SC 29690

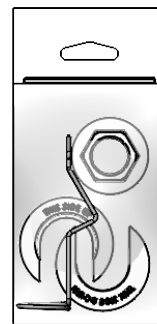
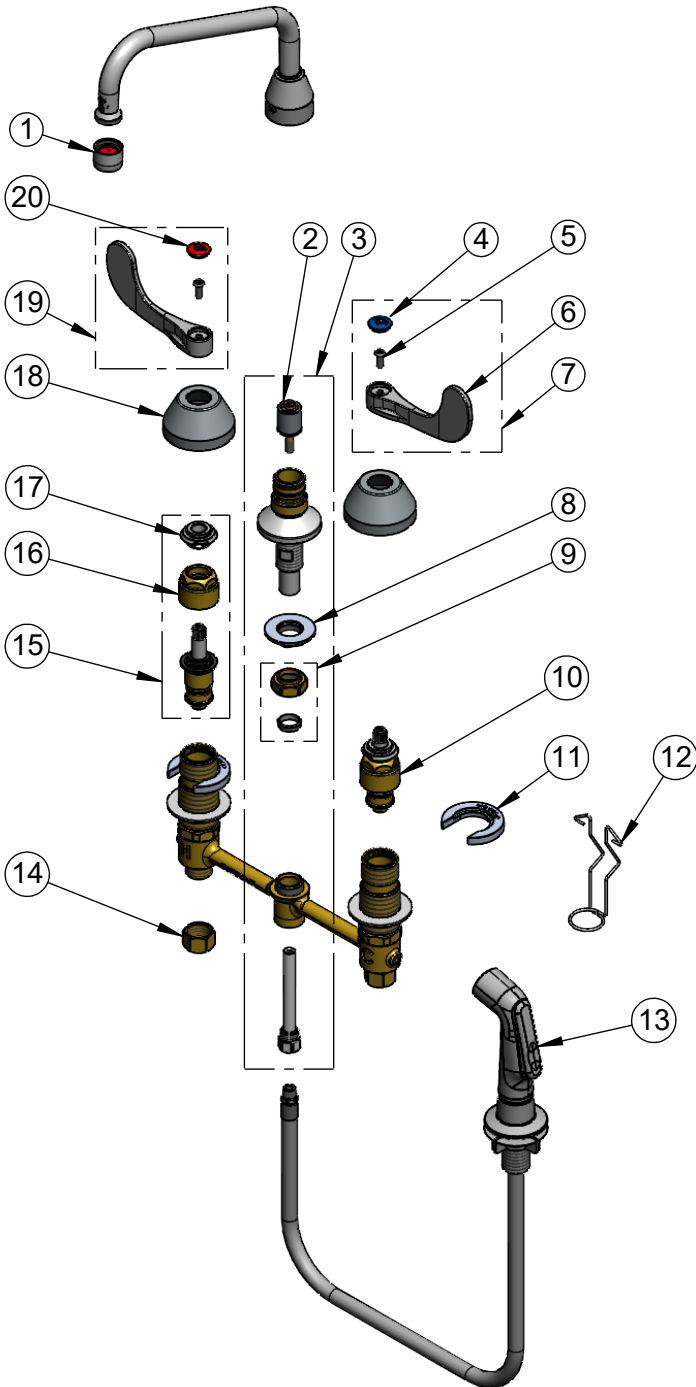
Model No.

B-2347-02-WH4CR

Item No.

Travelers Rest, SC: 800-476-4103 • Simi Valley, CA: 800-423-0150 • Fax: 864-834-3518 • www.tsbrass.com

ITEM NO.	SALES NO.	DESCRIPTION
1	B-0199-01	2.2 GPM Aerator
2	002338-45	Diverter
3	017208-40NS	Center Body Diverter
4	018506-19NS	Blue Button Index, Press-in
5	000925-45	Lab Handle Screw
6	B-WH4-NS	Wrist Action Handle - New Style
7	B-WH4C-NS	Wrist Action Handle, Blue Index & Screw
8	016742-45	Center Flange Nut
9	016745-45	Compression Nut & Fitting
10	016768-25NS	EasyInstall, CWS Quarter-Turn Cerama Cartridge w/ Check Valve, LTC
11	016749-45	C-Washer
12	016777-45	CWS Hanger
13	001495-45NS	Sidespray w/ 4' Vinyl Hose & Hose Guide, New Style
14	000958-20	Coupling Nut
15	016767-25NS	EasyInstall, CWS Quarter-Turn Cerama Cartridge w/ Check Valve, RTC
16	016743-20	CWS Eterna Bonnet
17	009002-40NS	Packing Assembly (New Style)
18	001257-40NS	Bell Escutcheon
19	B-WH4H-NS	Wrist Action Handle, Red Index & Screw
20	001193-19NS	Red Button Index, Press-in



017245-40
Installation Repair Kit
Includes #8, (2)#11, & #12

Product Specifications:

8" Concealed Widespread EasyInstall Mixing Faucet, 4' Sidespray, 8" Swing Nozzle w/ 2.2 GPM Aerator, 4" Wrist Action Handles, Quarter-Turn Cerama Cartridges w/ Check Valves & 1/2" NPT Male Inlets w/ Coupling Nuts

Product Compliance:

ASME A112.18.1 / CSA B125.1
NSF 61 - Section 9
NSF 372 (Low Lead Content)
ANSI A117.1 (ADA)