



# T&S BRASS AND BRONZE WORKS, INC.

2 Saddleback Cove / P.O. Box 1088  
Travelers Rest, SC 29690

Model No.

**B-2486**

Item No.

Travelers Rest, SC: 800-476-4103 • Simi Valley, CA: 800-423-0150 • Fax: 864-834-3518 • www.tsbrass.com

This Space for Architect/Engineer Approval

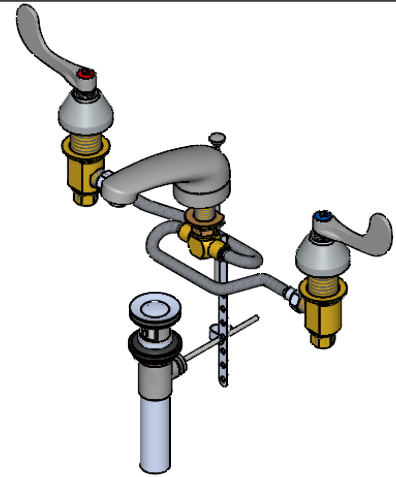
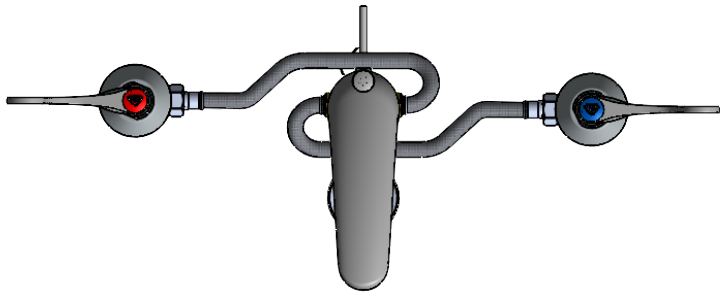
Job Name \_\_\_\_\_ Date \_\_\_\_\_

Model Specified \_\_\_\_\_ Quantity \_\_\_\_\_

Customer/Wholesaler \_\_\_\_\_

Contractor \_\_\_\_\_

Architect/Engineer \_\_\_\_\_



Quarter-Turn  
Eterna Cartridges w/  
Spring Checks &  
4" Wrist Action  
Handles w/ Color  
Coded Indexes

Cast Spout w/  
2.2 GPM Aerator

12" Stainless Steel  
Flexible Hose

Ø2 1/4" [57mm]  
Escutheons

3 1/16"  
[77mm]

4 1/16"  
[104mm]

2"  
[50mm]

5"  
[127mm]

Mounting  
Surface

4 1/8"  
[104mm]

Pop-Up Drain

1 1/4"  
[32mm]

Maximum  
Thickness  
1/2" NPT  
Coupling Nuts

Adjustable Inlet Centers  
6" to 24"  
[152mm to 610mm]

8 1/16"  
[205mm]

Ø1 1/4"  
Tailpiece

### Rough-In Requirements:

Center Shank: Ø 1" [Ø 25mm] Mounting Hole

Hot/Cold Bodies: Ø 1 1/2" [Ø 38mm] Mounting Hole

Pop-Up Drain: Fits Sinks with 1 7/16" [36mm] to 1 3/4" [44mm] Drain Hole

### Product Specifications:

Adjustable Concealed Deck Mount Mixing Faucet, Wrist Action Handles,  
5" Cast Spout w/ 2.2 GPM Aerator, 1/2" NPT Male Inlets w/ Coupling Nuts &  
Pop-Up Drain

### Product Compliance:

ASME A112.18.1 / CSA B125.1  
NSF 61 - Section 9  
NSF 372 (Low Lead Content)



# T&S BRASS AND BRONZE WORKS, INC.

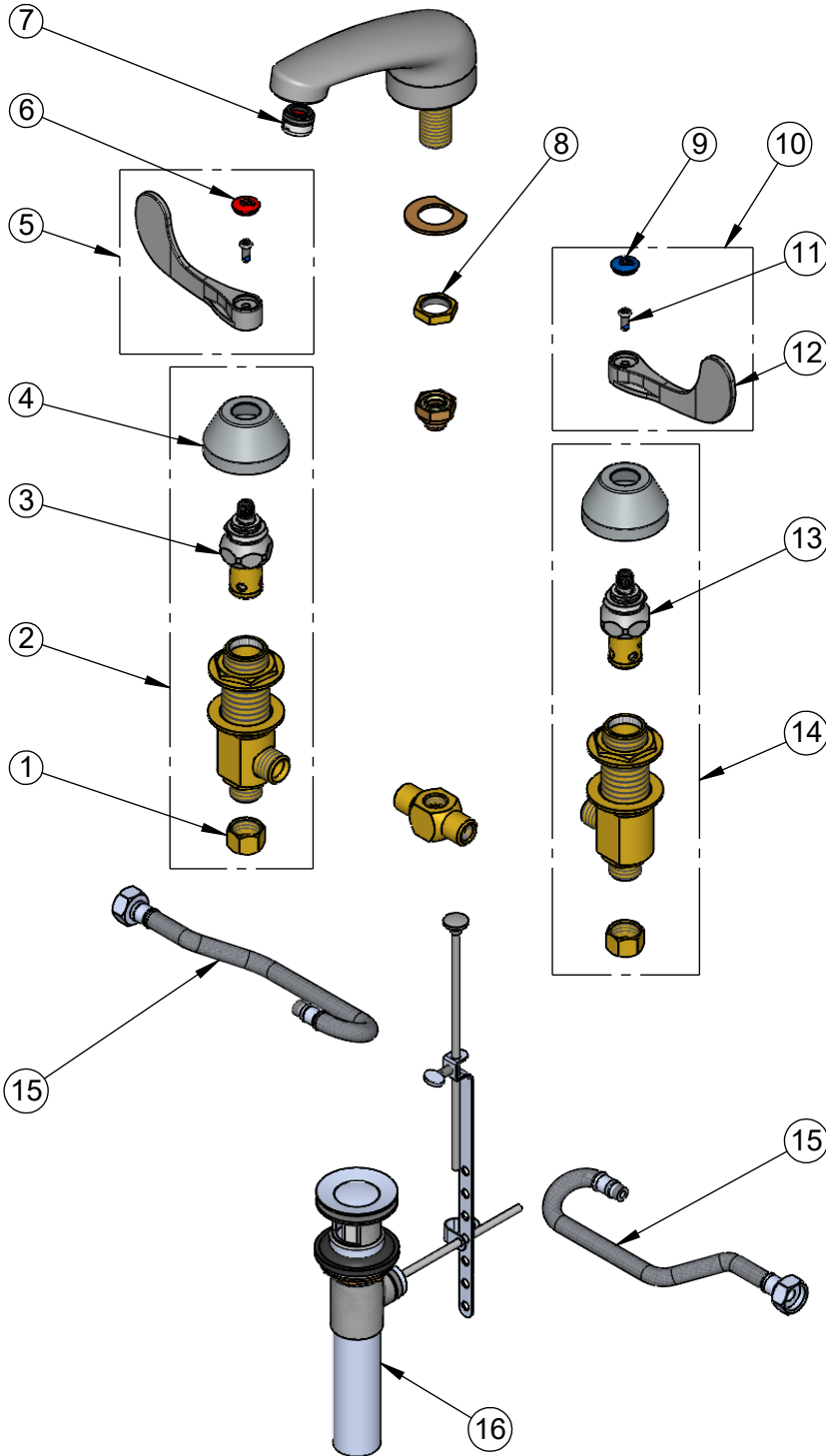
2 Saddleback Cove / P.O. Box 1088  
Travelers Rest, SC 29690

Model No.

**B-2486**

Item No.

Travelers Rest, SC: 800-476-4103 • Simi Valley, CA: 800-423-0150 • Fax: 864-834-3518 • www.tsbrass.com



ITEM NO.	SALES NO.	DESCRIPTION
1	000958-20	Coupling Nut
2	162A-NS	B-0850 Side Body - Hot
3	006478-40NS	CWS Quarter-Turn Eterna Cartridge w/ Spring Check, RTC
4	001257-40NS	Bell Escutcheon
5	B-WH4H-NS	Wrist Action Handle, Red Index & Screw
6	001193-19NS	Red Button Index, Press-in
7	B-0199-03	2.2 GPM Aerator
8	002954-45	Shank Lock Nut
9	018506-19NS	Blue Button Index, Press-in
10	B-WH4C-NS	Wrist Action Handle, Blue Index & Screw
11	000925-45	Lab Handle Screw
12	B-WH4-NS	Wrist Action Handle (New Style)
13	006477-40NS	CWS Quarter-Turn Eterna Cartridge w/ Spring Check, LTC
14	161A-NS	B-0850 Side Body - Cold
15	011649-45	12" Flexible Stainless Steel Hose
16	B-0898	Pop-Up Drain

**Product Specifications:**

Adjustable Concealed Deck Mount Mixing Faucet, Wrist Action Handles, 5" Cast Spout w/ 2.2 GPM Aerator, 1/2" NPT Male Inlets w/ Coupling Nuts & Pop-Up Drain

**Product Compliance:**

ASME A112.18.1 / CSA B125.1  
NSF 61 - Section 9  
NSF 372 (Low Lead Content)