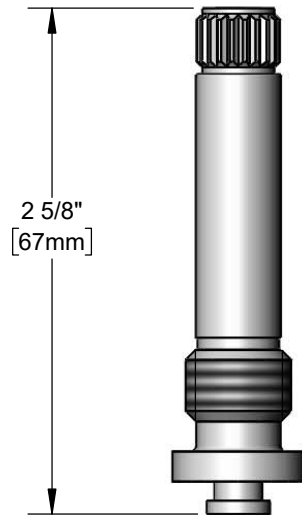




Architect/Engineering Specifications:

Straight stop cartridge spindle with #10-32 UN female thread and 9/16-12 UN male thread. Certified to NSF 61 - Section 9 and NSF 372.

Job Name _____
 Model Specified _____ Quantity _____
 Variations Specified _____
 Date _____



Features & Benefits:

- Straight stop cartridge spindle, RTC
- #10-32 UN female thread
- 9/16-12 UN male thread
- Material: Polished chrome plated brass

Product Compliance:

- NSF 61 - Section 9
- NSF 372 (Low Lead Content)



Warranty: One Year (Limited)

Performance Data:

- N/A

