



T&S BRASS AND BRONZE WORKS, INC.
 2 Saddleback Cove / P.O. Box 1088
 Travelers Rest, SC 29690

Model No.
PG-8DSAV-08

Item No.

Travelers Rest, SC: 800-476-4103 • Simi Valley, CA: 800-423-0150 • Fax: 864-834-3518 • www.tsbrass.com

This Space for Architect/Engineer Approval

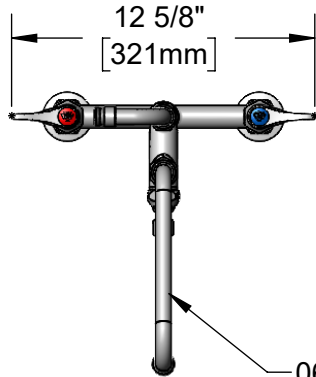
Job Name _____ Date _____

Model Specified _____ Quantity _____

Customer/Wholesaler _____

Contractor _____

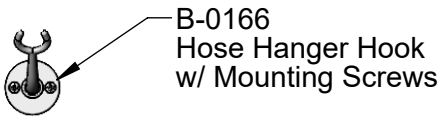
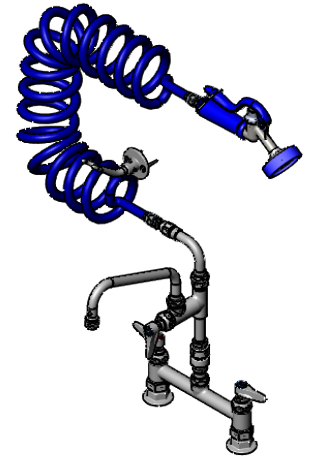
Architect/Engineer _____



060X
 8" Swing Nozzle w/
 Stream Regulator Outlet

Lightweight Aluminum
 Spray Valve w/ Rubber
 Grip & Hold Down Clip

Coiled Polyurethane
 Hose. 9 Ft. Maximum
 Stretch Length.



B-0166
 Hose Hanger Hook
 w/ Mounting Screws

034A
 90° Swivel Adapter

EasyInstall
 3/8" Continuous
 Pressure
 Vacuum Breaker

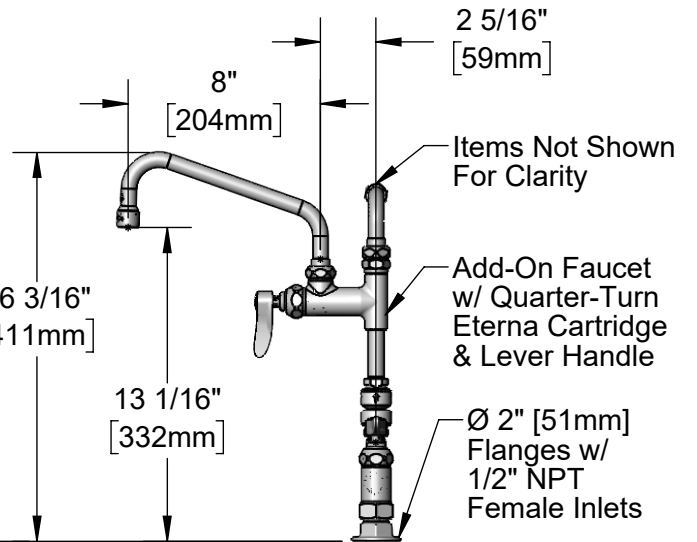
5 3/16"
 [131mm]

8"
 [204mm]

Adjustable From
 7 3/4" to 8 1/4"
 [197mm to 210mm]

Mounting
 Surface

Quarter-Turn
 Eterna Cartridges w/
 Spring Checks &
 Lever Handles w/
 Color Coded Indexes



Items Not Shown
 For Clarity

Add-On Faucet
 w/ Quarter-Turn
 Eterna Cartridge
 & Lever Handle

Ø 2" [51mm]
 Flanges w/
 1/2" NPT
 Female Inlets

Product Specifications:

Pet Grooming Station: 8" Deck Mount Mixing Faucet, Quarter-Turn Eterna Cartridges w/ Spring Checks, Lever Handles, Vacuum Breaker, Add-On Faucet, 8" Swing Nozzle w/ Stream Regulator Outlet, 90° Swivel Arm, 9' Coiled Hose w/ Angled Aluminum Spray Valve, Hanger Hook & 1/2" NPT Female Inlets

Product Compliance:

ASME A112.18.1 / CSA B125.1
 NSF 61 Exempt (Non-Potable)
 CSA B64.8 (VB)

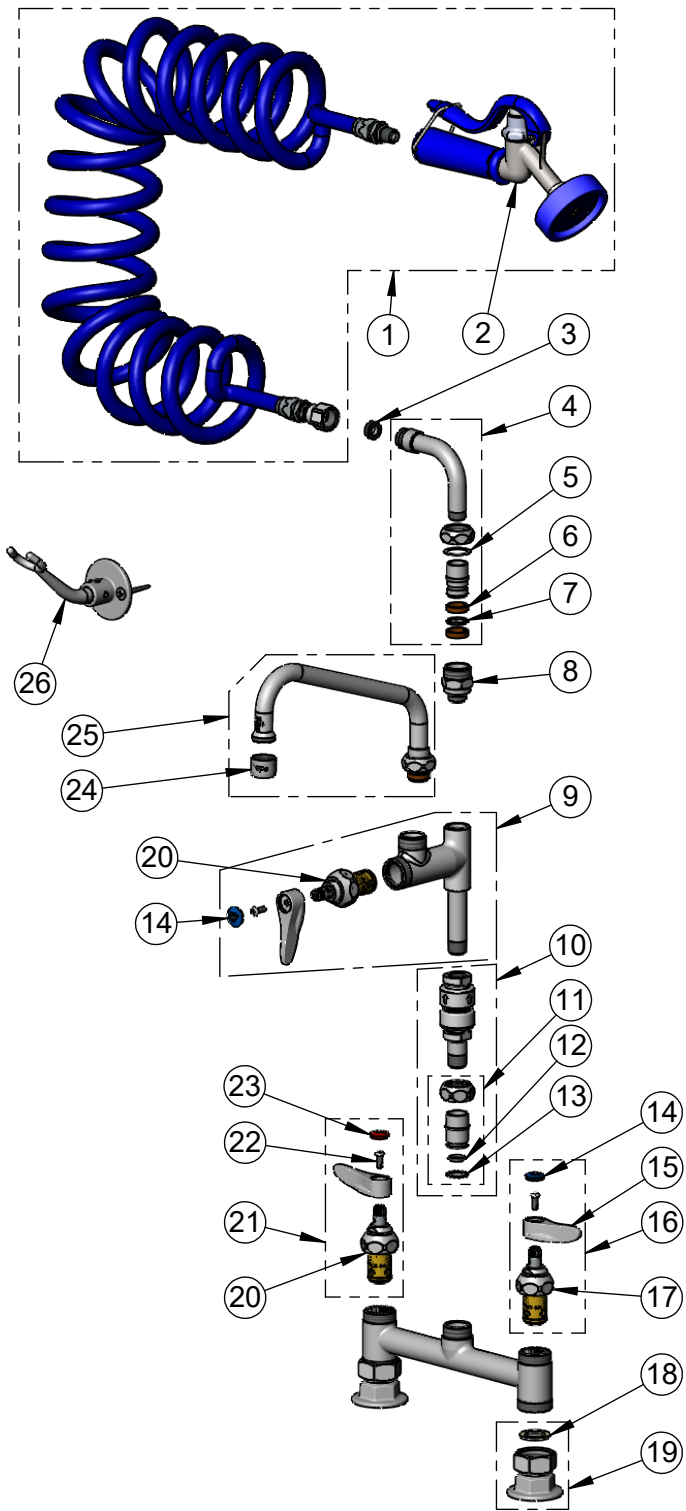


T&S BRASS AND BRONZE WORKS, INC.
 2 Saddleback Cove / P.O. Box 1088
 Travelers Rest, SC 29690

Model No.
PG-8DSAV-08

Item No.

Travelers Rest, SC: 800-476-4103 • Simi Valley, CA: 800-423-0150 • Fax: 864-834-3518 • www.tsbrass.com



| ITEM NO. | SALES NO. | DESCRIPTION |
|----------|--------------|--------------------------------------------------------------------------------|
| 1 | PG-35AV-CH05 | Lightweight Aluminum Angled Spray Valve w/ Coiled Polyurethane Hose |
| 2 | PG-35AV | Lightweight Aluminum Angled Spray Valve |
| 3 | 010476-45 | #27 Washer |
| 4 | 034A | 90° Swivel Adapter |
| 5 | 009538-45 | Swivel Washer |
| 6 | 011429-45 | Swivel Sleeves (2) |
| 7 | 001074-45 | O-Ring |
| 8 | B-0412 | Rigid to Swivel Adapter |
| 9 | B-0155-LN | Add-On Faucet |
| 10 | B-0970-FEZ | EasyInstall 3/8" NPT Vacuum Breaker |
| 11 | EZ-K | EasyInstall Kit |
| 12 | 001065-45 | O-Ring |
| 13 | 014200-45 | Star Washer, Anti-Rotation |
| 14 | 018506-19NS | Blue Button Index, Press-in |
| 15 | 001638-45NS | Lever Handle (New Style) |
| 16 | 002711-40NS | Quarter-Turn Eterna Cartridge w/ Spring Check, Handle, Blue Index & Screw, LTC |
| 17 | 012442-40NS | Quarter-Turn Eterna Cartridge w/ Spring Check, LTC |
| 18 | 001019-45 | Coupling Nut Washer |
| 19 | 00AA | 1/2" NPT Female Eccentric Flange |
| 20 | 012443-40NS | Quarter-Turn Eterna Cartridge w/ Spring Check, RTC |
| 21 | 002712-40NS | Quarter-Turn Eterna Cartridge w/ Spring Check, Handle, Red Index & Screw, RTC |
| 22 | 000925-45 | Lab Handle Screw |
| 23 | 001193-19NS | Red Button Index, Press-in |
| 24 | B-PT | Full Flow Stream Regulator, 55/64-27 |
| 25 | 060X | 8" Swing Nozzle w/ Stream Regulator Outlet |
| 26 | B-0166 | Wall Hook |

Product Specifications:
 Pet Grooming Station: 8" Deck Mount Mixing Faucet, Quarter-Turn Eterna Cartridges w/ Spring Checks, Lever Handles, Vacuum Breaker, Add-On Faucet, 8" Swing Nozzle w/ Stream Regulator Outlet, 90° Swivel Arm, 9' Coiled Hose w/ Angled Aluminum Spray Valve, Hanger Hook & 1/2" NPT Female Inlets

Product Compliance:
 ASME A112.18.1 / CSA B125.1
 NSF 61 Exempt (Non-Potable)
 CSA B64.8 (VB)