



T&S BRASS AND BRONZE WORKS, INC.
 2 Saddleback Cove / P.O. Box 1088
 Travelers Rest, SC 29690

Model No.
B-2865-09CRVL22

Item No.

Travelers Rest, SC: 800-476-4103 • Simi Valley, CA: 800-423-0150 • Fax: 864-834-3518 • www.tsbrass.com



ADA Compliant

This Space for Architect/Engineer Approval

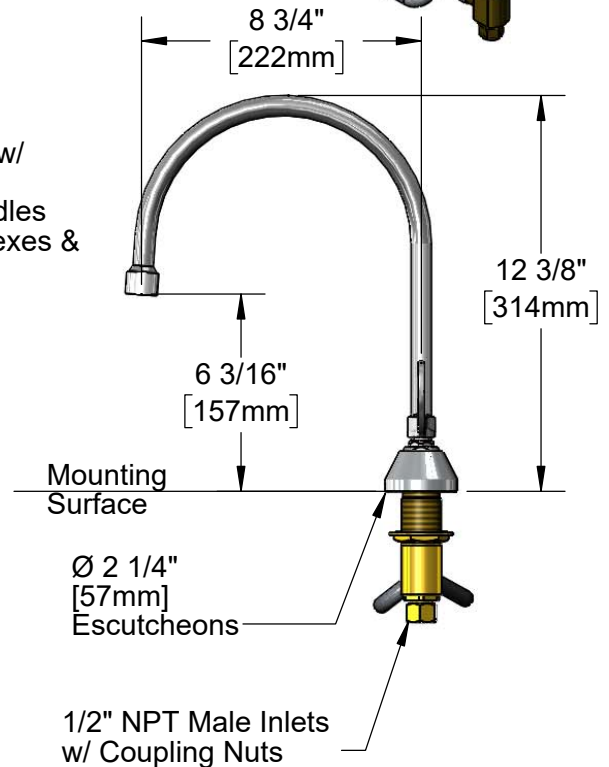
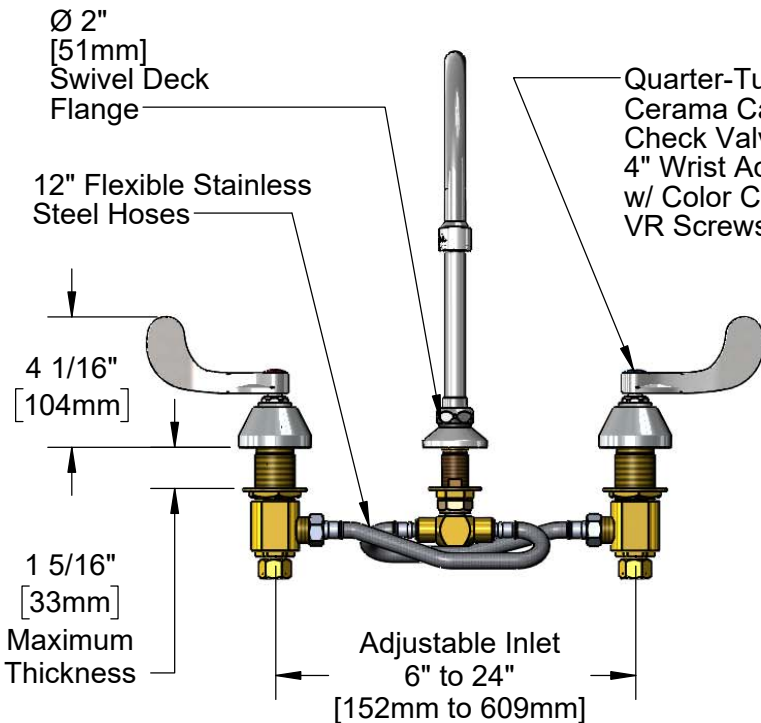
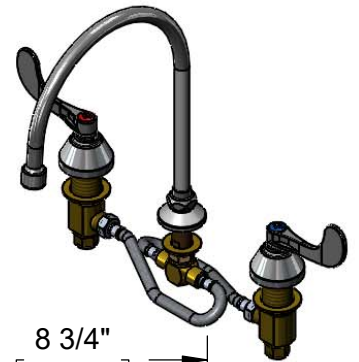
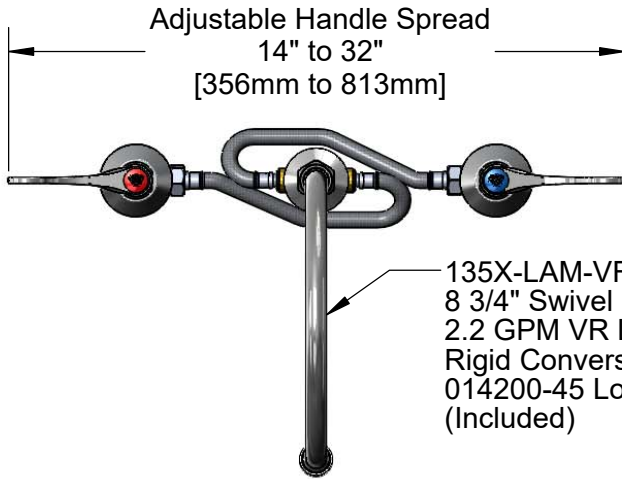
Job Name _____ Date _____

Model Specified _____ Quantity _____

Customer/Wholesaler _____

Contractor _____

Architect/Engineer _____



Rough-In Requirement:
 Center Shank: Ø 1" [25mm] Mounting Hole
 Hot/Cold Bodies: Ø 1 1/2" [38mm] Mounting Holes

Product Specifications:
 Adjustable Concealed Widespread Mixing Faucet, Quarter-Turn Cerama Cartridges w/ Check Valves, 4" Wrist Action Handles, VR Screws, 8 3/4" Swivel/Rigid Gooseneck w/ 2.2 GPM VR Laminar Flow Device, 12" Flexible Stainless Steel Hose & 1/2" NPT Male Inlets w/ Coupling Nuts

Product Compliance:
 ASME A112.18.1 / CSA B125.1
 NSF 61 - Section 9
 NSF 372 (Low Lead Content)
 ANSI A117.1 (ADA)



T&S BRASS AND BRONZE WORKS, INC.

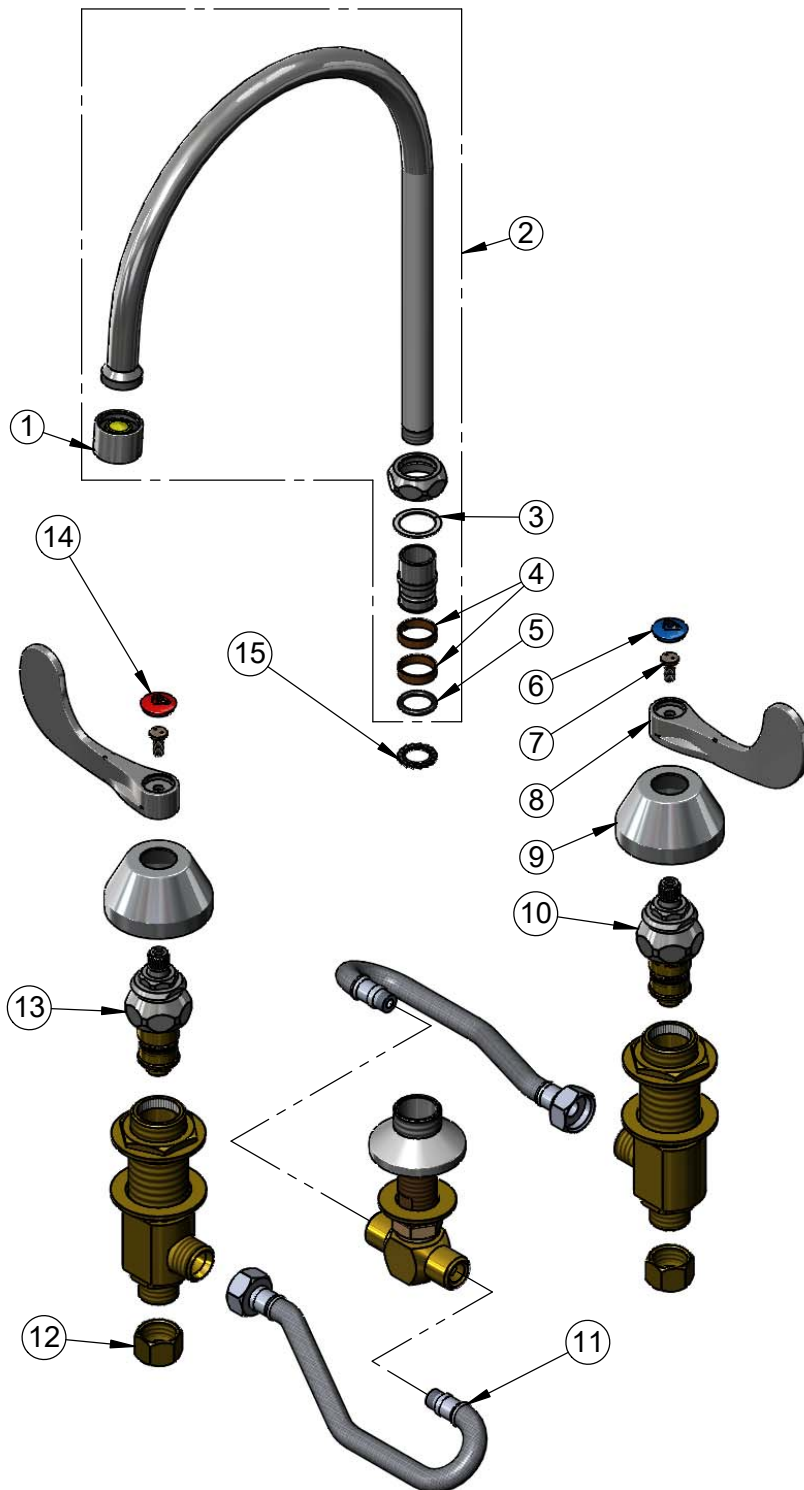
2 Saddleback Cove / P.O. Box 1088
Travelers Rest, SC 29690

Model No.

B-2865-09CRVL22

Item No.

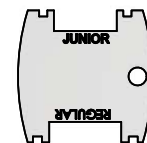
Travelers Rest, SC: 800-476-4103 • Simi Valley, CA: 800-423-0150 • Fax: 864-834-3518 • www.tsbrass.com



ITEM NO.	SALES NO.	DESCRIPTION
1	B-0199-21-VRF	VR 2.2 GPM Laminar Flow Device, 55/64-27 UN Female
2	135X-LAM-VR	8 3/4" Swivel Gooseneck w/ 2.2 GPM VR Laminar Flow Device
3	009538-45	Swivel Washer
4	011429-45	Swivel Sleeves (2)
5	001074-45	O-Ring
6	018506-19NS	Blue Button Index, Press-in
7	VRS-2	VR Wrist Action Handle Screw (2) w/ Spanner Bit
8	B-WH4-NS	Wrist Action Handle (New Style)
9	001257-40NS	Bell Escutcheon
10	011617-25NS	CWS Quarter-Turn Cerama Cartridge w/ Check Valve, LTC
11	011649-45	12" Stainless Steel Flex Hose
12	000958-20	Coupling Nut
13	011616-25NS	CWS Quarter-Turn Cerama Cartridge w/ Check Valve, RTC
14	001193-19NS	Red Button Index, Press-in
15	014200-45	Star Washer, Anti-Rotation



014075-45
#10 Spanner Bit
(Included)



015425-45
Vandal Resistant Key
(Included)

Product Specifications:

Adjustable Concealed Widespread Mixing Faucet, Quarter-Turn Cerama Cartridges w/ Check Valves, 4" Wrist Action Handles, VR Screws, 8 3/4" Swivel/Rigid Gooseneck w/ 2.2 GPM VR Laminar Flow Device, 12" Flexible Stainless Steel Hose & 1/2" NPT Male Inlets w/ Coupling Nuts

Product Compliance:

ASME A112.18.1 / CSA B125.1
NSF 61 - Section 9
NSF 372 (Low Lead Content)
ANSI A117.1 (ADA)