



# T&S BRASS AND BRONZE WORKS, INC.

2 Saddleback Cove / P.O. Box 1088  
Travelers Rest, SC 29690

Model No.

**PG-8WSAV-VH**

Item No.

Travelers Rest, SC: 800-476-4103 • Simi Valley, CA: 800-423-0150 • Fax: 864-834-3518 • www.tsbrass.com

This Space for Architect/Engineer Approval

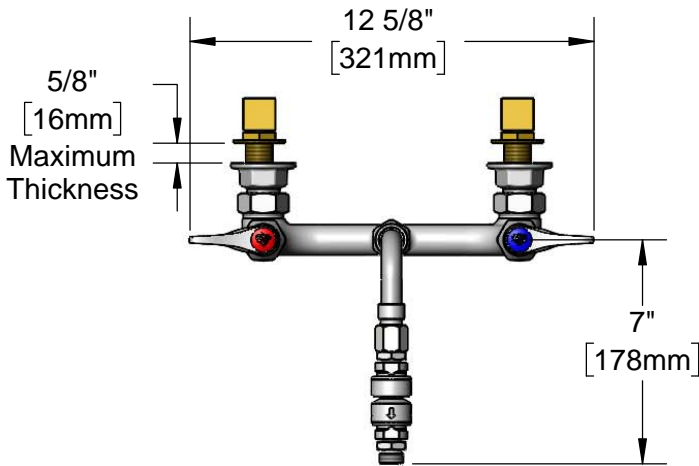
Job Name \_\_\_\_\_ Date \_\_\_\_\_

Model Specified \_\_\_\_\_ Quantity \_\_\_\_\_

Customer/Wholesaler \_\_\_\_\_

Contractor \_\_\_\_\_

Architect/Engineer \_\_\_\_\_



7' Reinforced Vinyl Hose w/ Aluminum Spray Valve

B-0166  
Hose Hanger Hook  
w/ Mounting Screws

Quarter-Turn  
Eterna Cartridges  
w/ Spring Checks &  
Lever Handles w/  
Color Coded Indexes

B-0970-01  
Inline Vacuum Breaker

034A  
Swivel Adapter

1/2" NPT  
Male Nipples  
w/ Short  
Elbows

Items Not Shown  
For Clarity

3 11/16"  
[94mm]

8"  
[203mm]

Adjustable from  
7 3/4" to 8 1/4"  
[179mm to 210mm]

Ø2" [51mm]  
Flanges w/  
1/2" NPT  
Female Inlets

4 3/16"  
[106mm]

2 3/8"  
[61mm]

2"  
[51mm]

Rough-In Requirement:

(2) Ø 1" [25mm] Mounting Holes

**Product Specifications:**

Pet Grooming Station: 8" Wall Mount Mixing Faucet, Quarter-Turn Eterna Cartridges w/ Spring Checks, Lever Handles, 90° Swivel Arm w/ Vacuum Breaker, 7" Vinyl Hose w/ Angled Aluminum Spray Valve, Hanger Hook, 1/2" NPT Female Inlets & 1/2" NPT Short Elbow Intallaition Kit.

**Product Compliance:**

ASME A112.18.1 / CSA B125.1  
NSF 61 Exempt (Non-Potable)  
CSA B64.8 (VB)

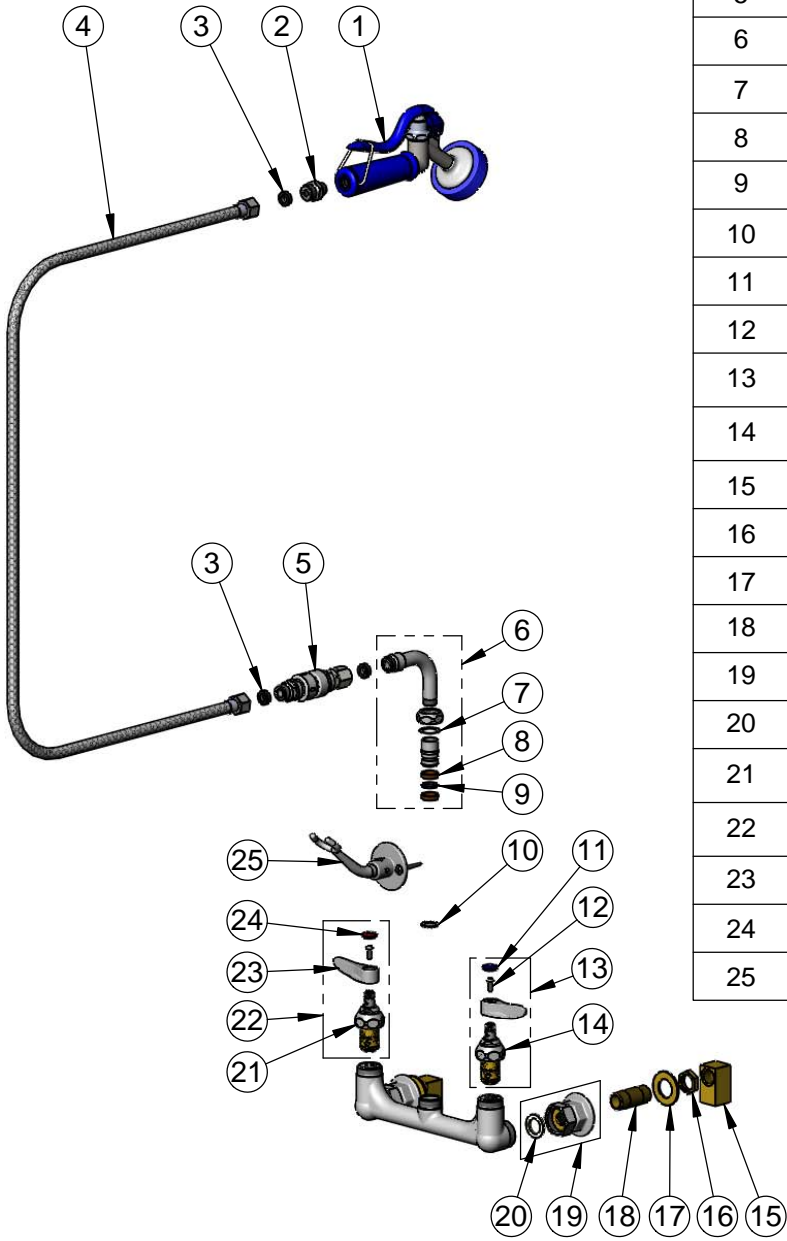


**T&S BRASS AND BRONZE WORKS, INC.**  
 2 Saddleback Cove / P.O. Box 1088  
 Travelers Rest, SC 29690

Model No.  
**PG-8WSAV-VH**  
 Item No.

Travelers Rest, SC: 800-476-4103 • Simi Valley, CA: 800-423-0150 • Fax: 864-834-3518 • www.tsbrass.com

ITEM NO.	SALES NO.	DESCRIPTION
1	PG-35AV	Aluminum Angled Spray Valve
2	172A	Adapter, 1/4" NPT Male x 3/14-14 UN Male
3	010476-45	#27 Washer
4	PG-0078-VH	78" Vinyl Hose
5	B-0970-01	Vacuum Breaker, 3/4-14 UN Male x Female
6	034A	90° Swivel Adapter
7	009538-45	Swivel Washer
8	011429-45	Swivel Sleeves (2)
9	001074-45	O-Ring
10	014200-45	Star Washer, Anti-Rotation
11	018506-19NS	Blue Button Index, Press-in
12	000925-45	Lab Handle Screw
13	002711-40NS	Quarter-Turn Eterna Cartridge w/ Spring Check, Handle, Blue Index & Screw, LTC
14	012442-40NS	Quarter-Turn Eterna Cartridge w/ Spring Check, LTC
15	006895-20	Short EI, 1/2" NPT Female
16	002954-45	Shank Lock Nut
17	000999-45	Brass Lock Washer
18	000422-20	1/2" NPT x 2" Supply Nipple
19	00AA	1/2" NPT Female Eccentric Flange
20	001019-45	Coupling Nut Washer
21	012443-40NS	Quarter-Turn Eterna Cartridge w/ Spring Check, RTC
22	002712-40NS	Quarter-Turn Eterna Cartridge w/ Spring Check, Handle, Red Index & Screw, RTC
23	001638-45NS	Lever Handle (New Style)
24	001193-19NS	Red Button Index, Press-in
25	B-0166	Wall Hook



**Product Specifications:**  
 Pet Grooming Station: 8" Wall Mount Mixing Faucet, Quarter-Turn Eterna Cartridges w/ Spring Checks, Lever Handles, 90° Swivel Arm w/ Vacuum Breaker, 7" Vinyl Hose w/ Angled Aluminum Spray Valve, Hanger Hook, 1/2" NPT Female Inlets & 1/2" NPT Short Elbow Intallaition Kit.

**Product Compliance:**  
 ASME A112.18.1 / CSA B125.1  
 NSF 61 Exempt (Non-Potable)  
 CSA B64.8 (VB)