



T&S BRASS AND BRONZE WORKS, INC.

2 Saddleback Cove / P.O. Box 1088
Travelers Rest, SC 29690

Model No.

B-2865-05CRV22

Item No.

Travelers Rest, SC: 800-476-4103 • Simi Valley, CA: 800-423-0150 • Fax: 864-834-3518 • www.tsbrass.com



ADA Compliant

This Space for Architect/Engineer Approval

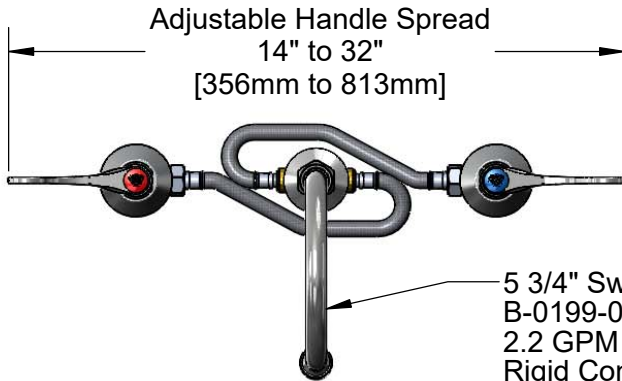
Job Name _____ Date _____

Model Specified _____ Quantity _____

Customer/Wholesaler _____

Contractor _____

Architect/Engineer _____



Adjustable Handle Spread
14" to 32"
[356mm to 813mm]

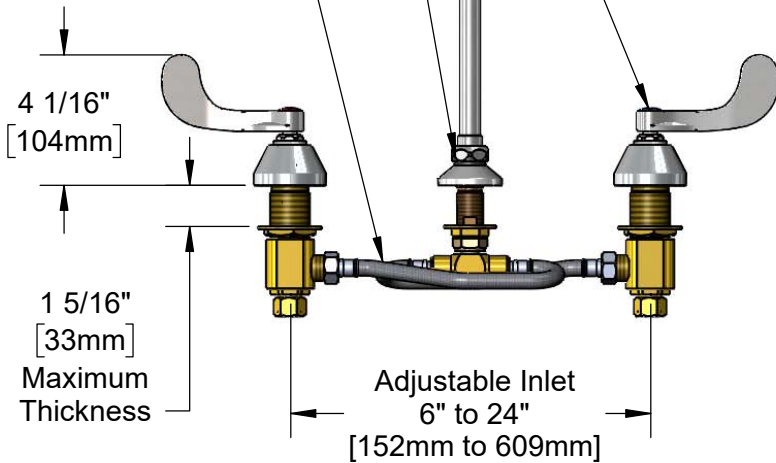
5 3/4" Swivel Gooseneck w/
B-0199-06
2.2 GPM VR Aerator.
Rigid Conversion Requires
014200-45 Lock Washer
(Included)



Ø 2"
[51mm]
Swivel Deck
Flange

12" Flexible Stainless
Steel Hoses

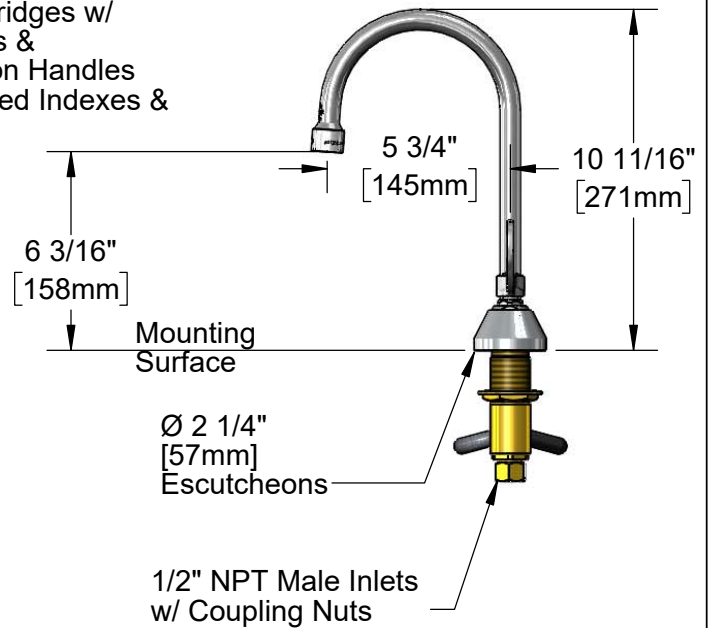
Quarter-Turn
Cerama Cartridges w/
Check Valves &
4" Wrist Action Handles
w/ Color Coded Indexes &
VR Screws



4 1/16"
[104mm]

1 5/16"
[33mm]
Maximum
Thickness

Adjustable Inlet
6" to 24"
[152mm to 609mm]



6 3/16"
[158mm]

Mounting
Surface

Ø 2 1/4"
[57mm]
Escutcheons

1/2" NPT Male Inlets
w/ Coupling Nuts

Rough-In Requirement:

Center Shank: Ø 1" [25mm] Mounting Hole

Hot/Cold Bodies: Ø 1 1/2" [38mm] Mounting Holes

Product Specifications:

Adjustable Concealed Widespread Mixing Faucet, Quarter-Turn Cerama Cartridges w/ Check Valves, 4" Wrist Action Handles, VR Screws, 5 3/4" Swivel/Rigid Gooseneck w/ 2.2 GPM VR Aerator, 12" Flexible Stainless Steel Hose & 1/2" NPT Male Inlets w/ Coupling Nuts

Product Compliance:

ASME A112.18.1 / CSA B125.1
NSF 61 - Section 9
NSF 372 (Low Lead Content)
ANSI A117.1 (ADA)



T&S BRASS AND BRONZE WORKS, INC.

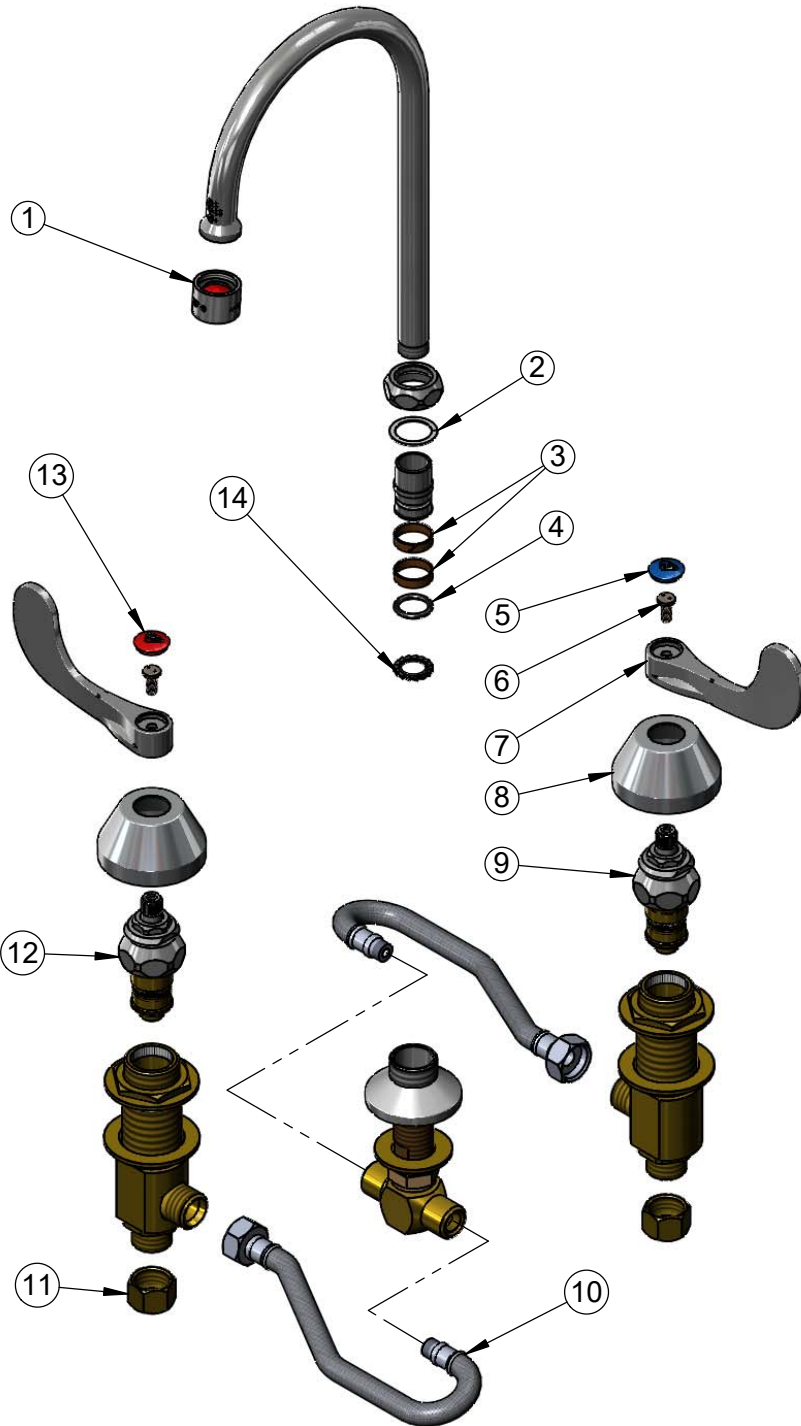
2 Saddleback Cove / P.O. Box 1088
Travelers Rest, SC 29690

Model No.

B-2865-05CRV22

Item No.

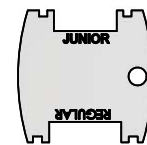
Travelers Rest, SC: 800-476-4103 • Simi Valley, CA: 800-423-0150 • Fax: 864-834-3518 • www.tsbrass.com



ITEM NO.	SALES NO.	DESCRIPTION
1	B-0199-06	VR 2.2 GPM Aerator, 55/64-27 UN Female w/ Key
2	009538-45	Swivel Washer
3	011429-45	Swivel Sleeves (2)
4	001074-45	O-Ring
5	018506-19NS	Blue Button Index, Press-in
6	VRS-2	VR Wrist Action Handle Screw (2) w/ Spanner Bit
7	B-WH4-NS	Wrist Action Handle (New Style)
8	001257-40NS	Bell Escutcheon
9	011617-25NS	CWS Quarter-Turn Cerama Cartridge w/ Check Valve, LTC
10	011649-45	12" Stainless Steel Flex Hose
11	000958-20	Coupling Nut
12	011616-25NS	CWS Quarter-Turn Cerama Cartridge w/ Check Valve, RTC
13	001193-19NS	Red Button Index, Press-in
14	014200-45	Star Washer, Anti-Rotation



014075-45
#10 Spanner Bit
(Included)



015425-45
Vandal Resistant Key
(Included)

Product Specifications:

Adjustable Concealed Widespread Mixing Faucet, Quarter-Turn Cerama Cartridges w/ Check Valves, 4" Wrist Action Handles, VR Screws, 5 3/4" Swivel/Rigid Gooseneck w/ 2.2 GPM VR Aerator, 12" Flexible Stainless Steel Hose & 1/2" NPT Male Inlets w/ Coupling Nuts

Product Compliance:

ASME A112.18.1 / CSA B125.1
NSF 61 - Section 9
NSF 372 (Low Lead Content)
ANSI A117.1 (ADA)