



T&S BRASS AND BRONZE WORKS, INC.

2 Saddleback Cove / P.O. Box 1088
Travelers Rest, SC 29690

Model No.

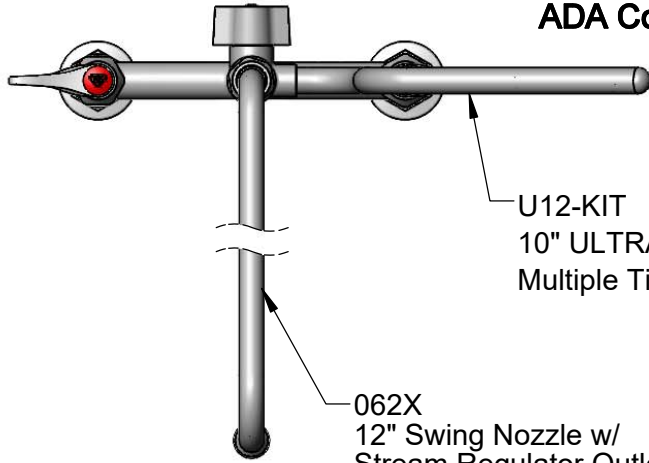
B-0221-U12-CR

Item No.

Travelers Rest, SC: 800-476-4103 • Simi Valley, CA: 800-423-0150 • Fax: 864-834-3518 • www.tsbrass.com

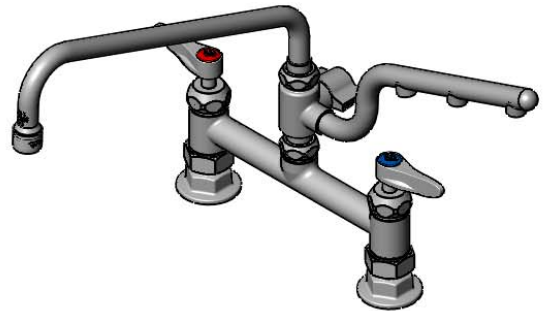


ADA Compliant



U12-KIT
10" ULTRARINSE 1.5 GPM
Multiple Tip Spray Arm

062X
12" Swing Nozzle w/
Stream Regulator Outlet.
Rigid Conversion Requires
014200-45 Lock Washer
(Included)



This Space for Architect/Engineer Approval

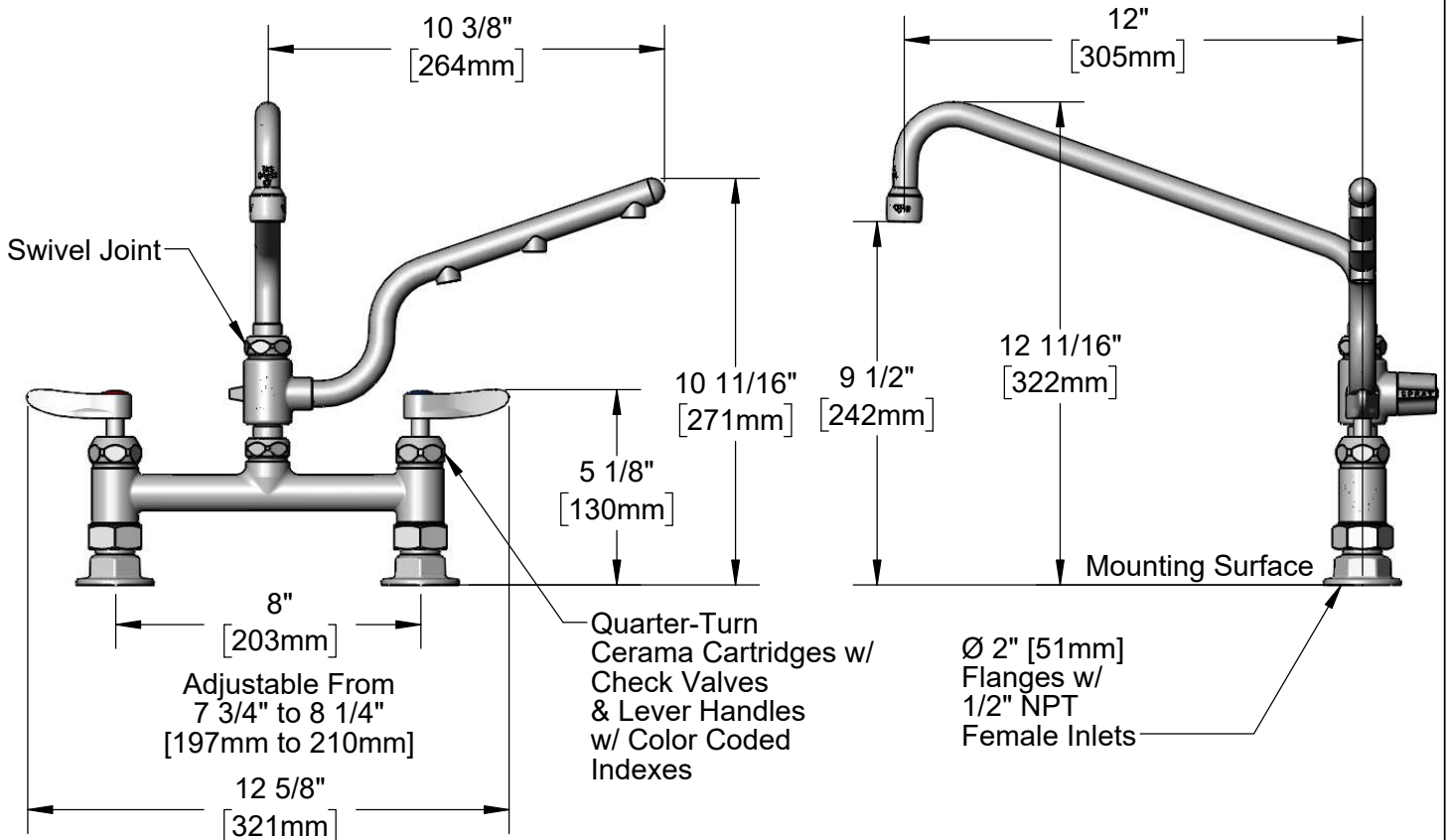
Job Name _____ Date _____

Model Specified _____ Quantity _____

Customer/Wholesaler _____

Contractor _____

Architect/Engineer _____



Product Specifications:

8" Deck Mount Mixing Faucet, Quarter-Turn Cerama Cartridges w/ Check Valves, Lever Handles, 12" Swing Nozzle w/ Stream Regulator Outlet, 1.5 GPM 10" ULTRARINSE Multiple Tip Spray Arm & 1/2" NPT Female Inlets

Product Compliance:

ASME A112.18.1 / CSA B125.1
NSF 61 - Section 9
NSF 372 (Low Lead Content)
ANSI A117.1 (ADA)



T&S BRASS AND BRONZE WORKS, INC.

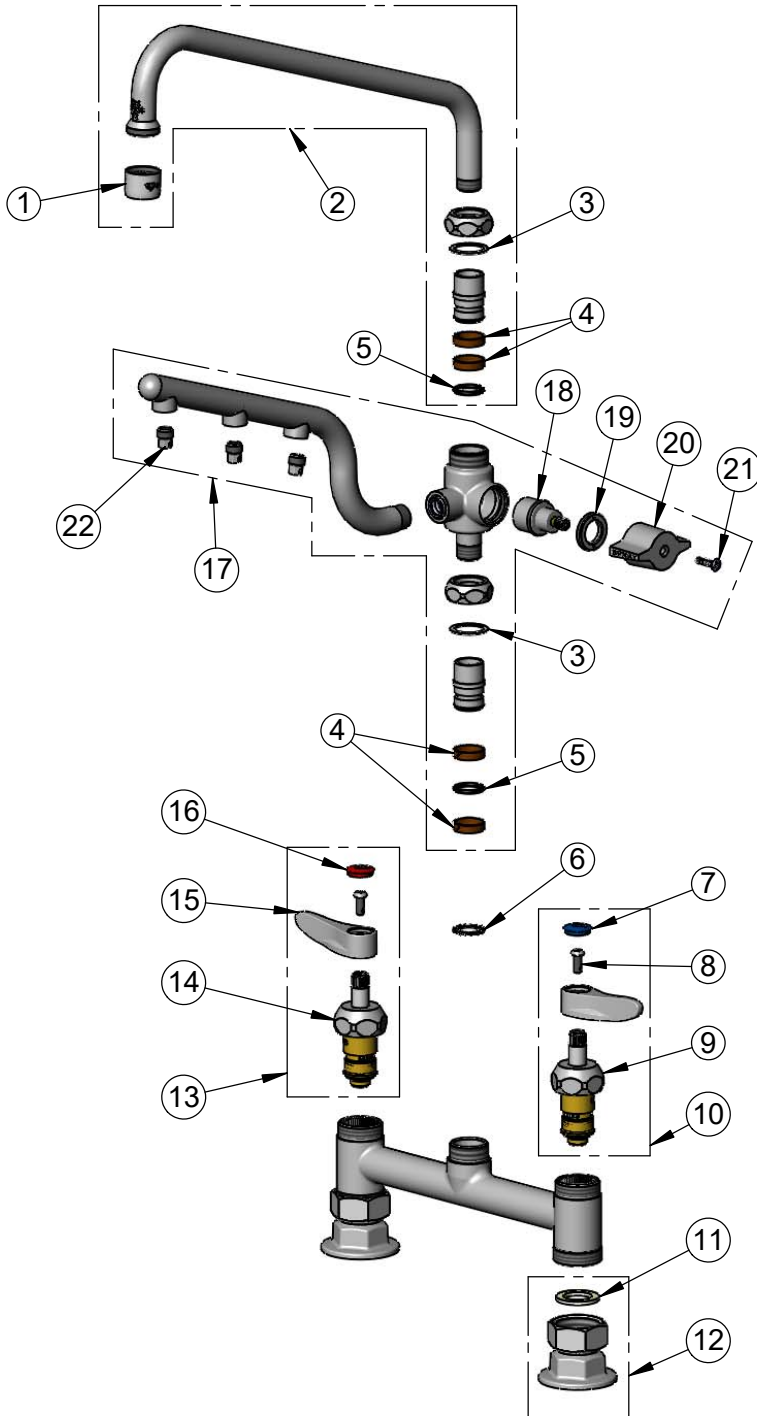
2 Saddleback Cove / P.O. Box 1088
Travelers Rest, SC 29690

Model No.

B-0221-U12-CR

Item No.

Travelers Rest, SC: 800-476-4103 • Simi Valley, CA: 800-423-0150 • Fax: 864-834-3518 • www.tsbrass.com



| ITEM NO. | SALES NO. | DESCRIPTION |
|----------|-------------|-------------------------------------------------------------------------------|
| 1 | B-PT | Stream Regulator Outlet |
| 2 | 062X | 12" Swing Nozzle |
| 3 | 009538-45 | Swivel Washer |
| 4 | 011429-45 | Swivel Sleeves (2) |
| 5 | 001074-45 | O-Ring |
| 6 | 014200-45 | Star Washer, Anti-Rotation |
| 7 | 018506-19NS | Blue Button Index, Press-in |
| 8 | 000925-45 | Lab Handle Screw |
| 9 | 012395-25NS | Quarter-Turn Cerama Cartridge w/ Check Valve, LTC |
| 10 | 012447-25NS | Quarter-Turn Cerama Cartridge w/ Check Valve, Handle, Blue Index & Screw, LTC |
| 11 | 001019-45 | Coupling Nut Washer |
| 12 | 00AA | 1/2" NPT Female Eccentric Flange |
| 13 | 012446-25NS | Quarter-Turn Cerama Cartridge w/ Check Valve, Handle, Red Index & Screw, RTC |
| 14 | 012394-25NS | Quarter-Turn Cerama Cartridge w/ Check Valve, RTC |
| 15 | 001638-45NS | Lever Handle (New Style) |
| 16 | 001193-19NS | Red Button Index, Press-in |
| 17 | U12-KIT | 10" ULTRARINSE 1.5 GPM Sprayer Arm |
| 18 | 020641-45 | ULTRARINSE Diverter Cartridge |
| 19 | 020645-45 | Diverter Cartridge Nut |
| 20 | 020642-45 | ULTRARINSE Diverter Handle |
| 21 | 020669-45 | M4 Screw, 17mm Long |
| 22 | 020667-25 | 0.5 GPM Spray Tip |

Product Specifications:

8" Deck Mount Mixing Faucet, Quarter-Turn Cerama Cartridges w/ Check Valves, Lever Handles, 12" Swing Nozzle w/ Stream Regulator Outlet, 1.5 GPM 10" ULTRARINSE Multiple Tip Spray Arm & 1/2" NPT Female Inlets

Product Compliance:

ASME A112.18.1 / CSA B125.1
NSF 61 - Section 9
NSF 372 (Low Lead Content)
ANSI A117.1 (ADA)