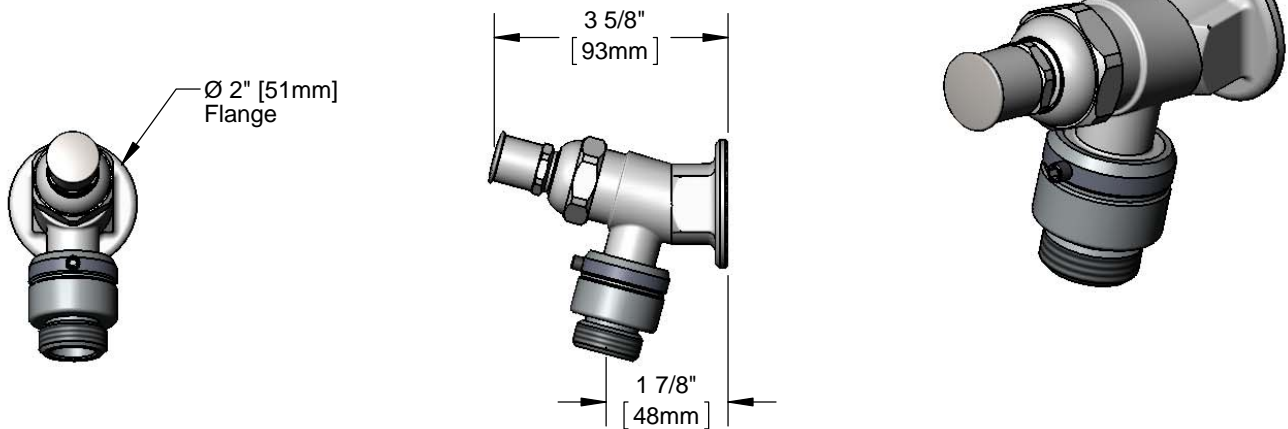




Architect/Engineering Specifications:

Single hole, wall mount faucet with polished chrome plated brass body, vacuum breaker with male garden hose outlet, compression cartridge, loose key style shutoff with tee handle and 1/2" NPT female inlet. Certified to ASME A112.18.1/CSA B125.1, NSF 61-Section 9 and NSF 372.

Job Name _____
Model Specified _____ Quantity _____
Variations Specified _____
Date _____



Features & Benefits:

- Single hole, wall mount faucet with polished chrome plated brass body
- Vacuum breaker w/ male garden hose outlet
- Compression cartridge
- Loose key style shutoff, controlled by tee handle (included) or screwdriver
- 1/2" NPT female inlet with ϕ 2" flange
- Material: Polished chrome plated brass body and chrome plated metal handle

Product Compliance:

- ASME A112.18.1 / CSA B125.1
- NSF 61 - Section 9
- NSF 372 (Low Lead Content)
- ASSE 1011 (VB)

Warranty: One Year (Limited)

Performance Data:

- Pressure: 20 - 125 psi
- Temperature: 40°F - 140°F
- Flow Rate: 9.10 GPM @ 60 psi

