



**T&S BRASS AND BRONZE WORKS, INC.**  
 2 Saddleback Cove / P.O. Box 1088  
 Travelers Rest, SC 29690

Model No.  
**B-0669-CR-RGH**

Item No.

Travelers Rest, SC: 800-476-4103 • Simi Valley, CA: 800-423-0150 • Fax: 864-834-3518 • www.tsbrass.com



**ADA Compliant**

This Space for Architect/Engineer Approval

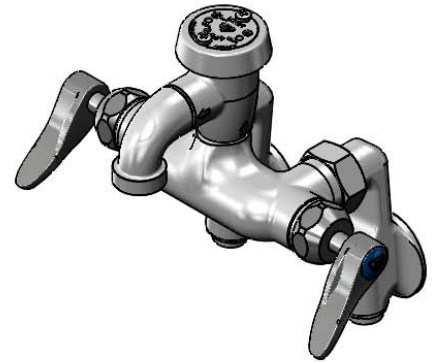
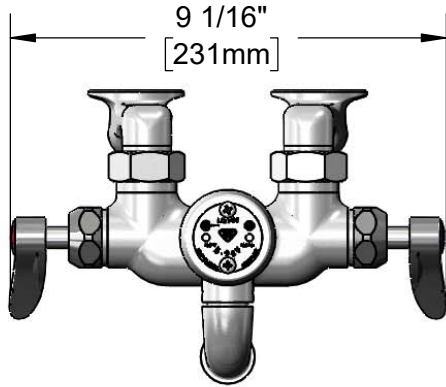
Job Name \_\_\_\_\_ Date \_\_\_\_\_

Model Specified \_\_\_\_\_ Quantity \_\_\_\_\_

Customer/Wholesaler \_\_\_\_\_

Contractor \_\_\_\_\_

Architect/Engineer \_\_\_\_\_

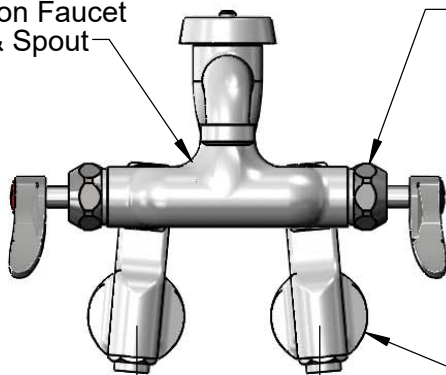


B-0969  
 1/2" NPT Atmospheric  
 Vacuum Breaker

3/4" Garden  
 Hose Male Outlet

Rough Chrome  
 Finish on Faucet  
 Body & Spout

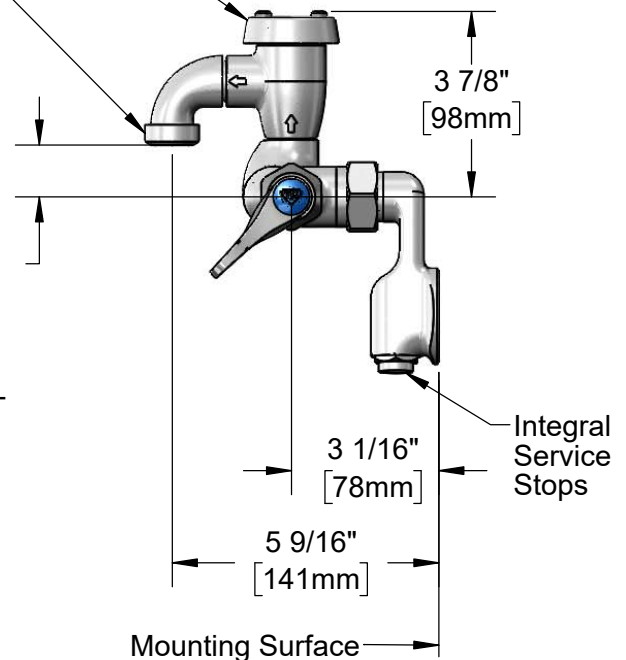
Quarter-Turn  
 Cerama  
 Cartridges w/  
 Check Valves &  
 Lever Handles w/  
 Color Coded Indexes



Adjustable  
 from  
 2 1/4" to 8 1/4"  
 [57mm to 210mm]  
 Below or Above  
 Centerline.

Ø 2" [51mm] Wall  
 Flanges w/ 1/2" NPT  
 Female Inlets

1 1/16"  
 [27mm]



Mounting Surface

**Product Specifications:**

Adjustable Wall Mount Rough Chrome Service Sink, Quarter-Turn Cerama Cartridges w/ Check Valves, Short Spout w/ 3/4" Garden Hose Outlet, Lever Handles & 1/2" Female Adjustable Arm Inlet Flanges w/ Integral Service Stops

**Product Compliance:**

ASME A112.18.1 / CSA B125.1  
 NSF 61 - Section 9  
 NSF 372 (Low Lead Content)  
 ANSI A117.1 (ADA)  
 ASSE 1001 (VB)



# T&S BRASS AND BRONZE WORKS, INC.

2 Saddleback Cove / P.O. Box 1088  
Travelers Rest, SC 29690

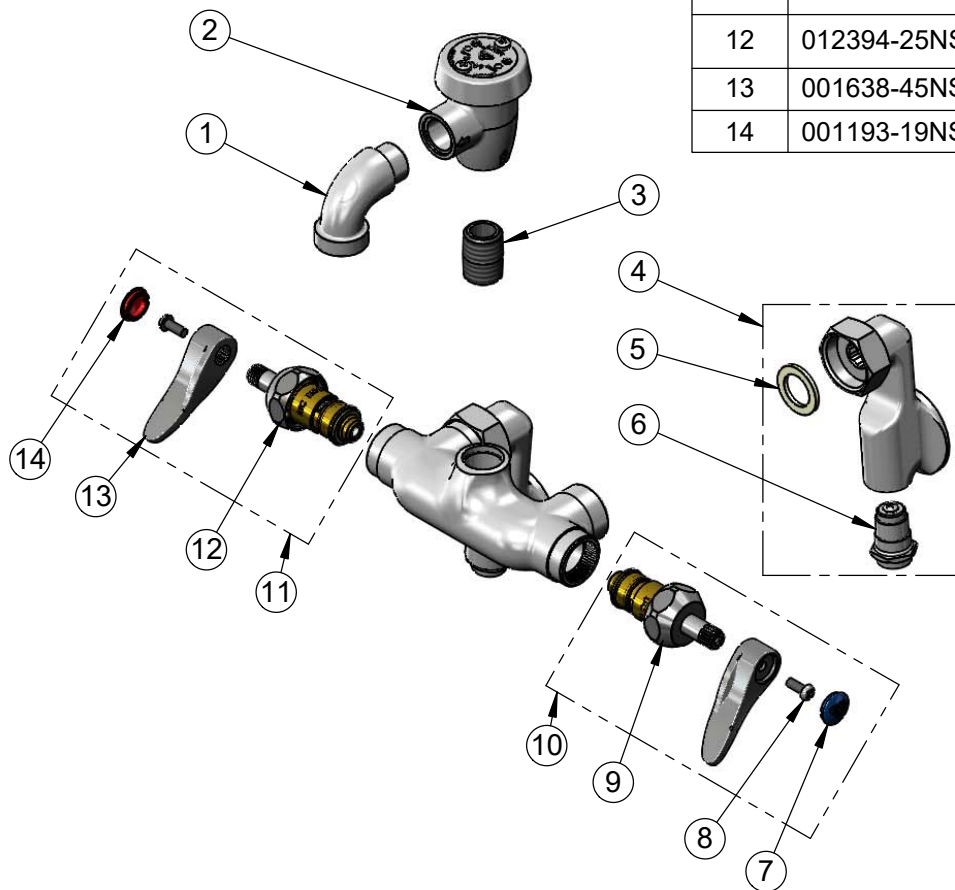
Model No.

**B-0669-CR-RGH**

Item No.

Travelers Rest, SC: 800-476-4103 • Simi Valley, CA: 800-423-0150 • Fax: 864-834-3518 • www.tsbrass.com

ITEM NO.	SALES NO.	DESCRIPTION
1	001618-25	Spout, Short
2	B-0969	1/2" NPT Vacuum Breaker
3	002534-25	Close Nipple, 1/2" NPT
4	00XX-RGH	1/2" NPT Female Adjustable Arm Inlets w/ Integral Stops, Rough Chrome
5	001019-45	Coupling Nut Washer
6	163A	Built-In Service Stop
7	018506-19NS	Blue Button Index, Press-in
8	000925-45	Lab Handle Screw
9	012395-25NS	Quarter-Turn Cerama Cartridge w/ Check Valve, LTC
10	012447-25NS	Quarter-Turn Cerama Cartridge w/ Check Valve, Handle, Blue Index & Screw, LTC
11	012446-25NS	Quarter-Turn Cerama Cartridge w/ Check Valve, Handle, Red Index & Screw, RTC
12	012394-25NS	Quarter-Turn Cerama Cartridge w/ Check Valve, RTC
13	001638-45NS	Lever Handle (New Style)
14	001193-19NS	Red Button Index, Press-in



**Product Specifications:**

Adjustable Wall Mount Rough Chrome Service Sink, Quarter-Turn Cerama Cartridges w/ Check Valves, Short Spout w/ 3/4" Garden Hose Outlet, Lever Handles & 1/2" Female Adjustable Arm Inlet Flanges w/ Integral Service Stops

**Product Compliance:**

ASME A112.18.1 / CSA B125.1  
NSF 61 - Section 9  
NSF 372 (Low Lead Content)  
ANSI A117.1 (ADA)  
ASSE 1001 (VB)