



T&S BRASS AND BRONZE WORKS, INC.

2 Saddleback Cove / P.O. Box 1088
Travelers Rest, SC 29690

Model No.

B-0665-BSTP-963

Item No.

Travelers Rest, SC: 800-476-4103 • Simi Valley, CA: 800-423-0150 • Fax: 864-834-3518 • www.tsbrass.com



ADA Compliant

This Space for Architect/Engineer Approval

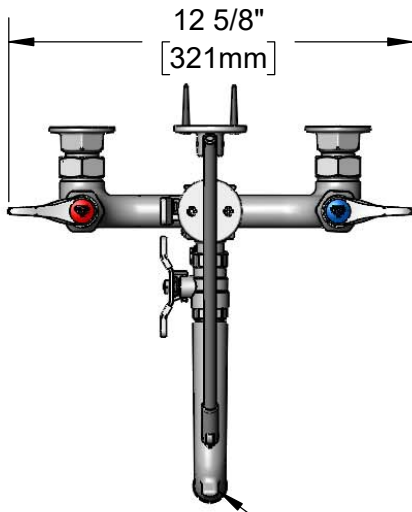
Job Name _____ Date _____

Model Specified _____ Quantity _____

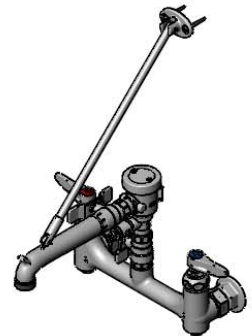
Customer/Wholesaler _____

Contractor _____

Architect/Engineer _____



Garden Hose Male Outlet



Quarter-Turn Eterna Cartridges w/ Spring Checks & Lever Handles w/ Color Coded Indexes

Items Not Shown for Clarity

B-0963 Vacuum Breaker

Support Rod Furnished w/ Wall Bracket & Mounting Screws

3 15/16" [99mm]

Ø2" [51mm] Flanges w/ 1/2" NPT Female Inlets

15 5/16" [388mm]

8" [203mm]

Integral Service Stop

8 9/16" [218mm]

2 5/8" [67mm]

Adjustable from 7 3/4" to 8 1/4" [197mm to 210mm]

Mounting Surface

Product Specifications:

Wall Mount Service Sink, Polished Chrome with Integral Service Stops, Quarter-Turn Eterna Cartridges w/ Spring Checks, Lever Handles and Continuous Pressure Vacuum Breaker w/ Quarter-Turn Ball Valves

Product Compliance:

ASME A112.18.1 / CSA B125.1
NSF 61 - Section 9
NSF 372 (Low Lead Content)
ASSE 1056 (VB)
ANSI A117.1 (ADA)



T&S BRASS AND BRONZE WORKS, INC.

2 Saddleback Cove / P.O. Box 1088
Travelers Rest, SC 29690

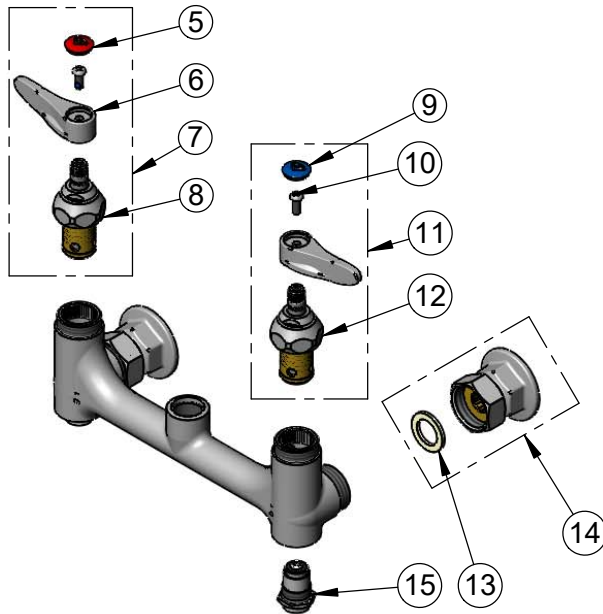
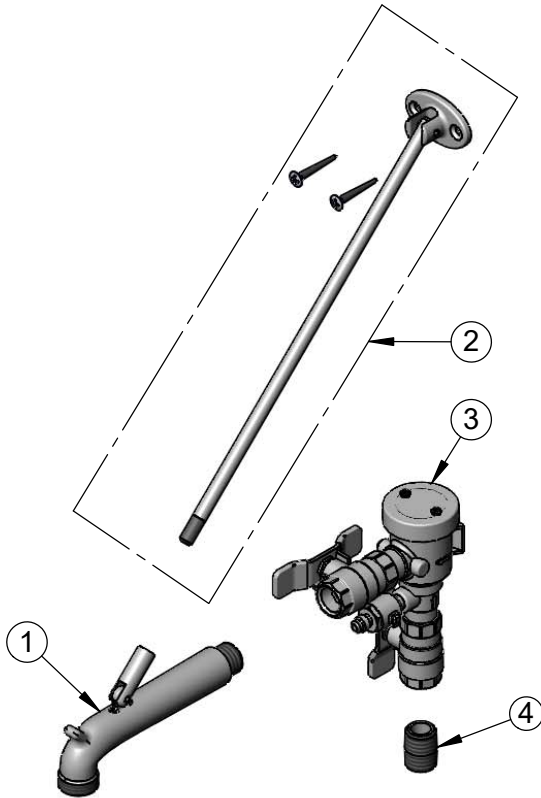
Model No.

B-0665-BSTP-963

Item No.

Travelers Rest, SC: 800-476-4103 • Simi Valley, CA: 800-423-0150 • Fax: 864-834-3518 • www.tsbrass.com

ITEM NO.	SALES NO.	DESCRIPTION
1	009545-40	Spout Asm Polish Chrome w/ Top Support Clevis
2	009546-40	Support Rod B-0665 - Polish Chrome w/ Screws
3	B-0963	Vacuum Breaker 1/2 NPT Female
4	002534-25	Close Nipple, 1/2" NPT
5	001193-19NS	Red Button Index, Press-in
6	001638-45NS	Lever Handle (New Style)
7	002712-40NS	Quarter-Turn Eterna Cartridge w/ Spring Check, Handle, Red Index & Screw, RTC
8	012443-40NS	Quarter-Turn Eterna Cartridge w/ Spring Check, RTC
9	018506-19NS	Blue Button Index, Press-in
10	000925-45	Lab Handle Screw
11	002711-40NS	Quarter-Turn Eterna Cartridge w/ Spring Check, Handle, Blue Index & Screw, LTC
12	012442-40NS	Quarter-Turn Eterna Cartridge w/ Spring Check, LTC
13	001019-45	Coupling Nut Washer
14	00AA	1/2" NPT Female Eccentric Flange
15	163A	BST Assembly, 163A



Product Specifications:

Wall Mount Service Sink, Polished Chrome with Integral Service Stops, Quarter-Turn Eterna Cartridges w/ Spring Checks, Lever Handles and Continuous Pressure Vacuum Breaker w/ Quarter-Turn Ball Valves

Product Compliance:

ASME A112.18.1 / CSA B125.1
NSF 61 - Section 9
NSF 372 (Low Lead Content)
ASSE 1056 (VB)
ANSI A117.1 (ADA)