



T&S BRASS AND BRONZE WORKS, INC.
 2 Saddleback Cove / P.O. Box 1088
 Travelers Rest, SC 29690

Model No.

B-5125-CR-B8P

Item No.

Travelers Rest, SC: 800-476-4103 • Simi Valley, CA: 800-423-0150 • Fax: 864-834-3518 • www.tsbrass.com

This Space for Architect/Engineer Approval

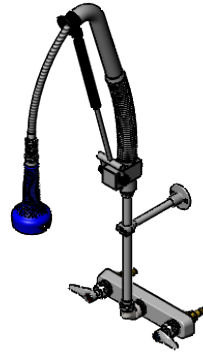
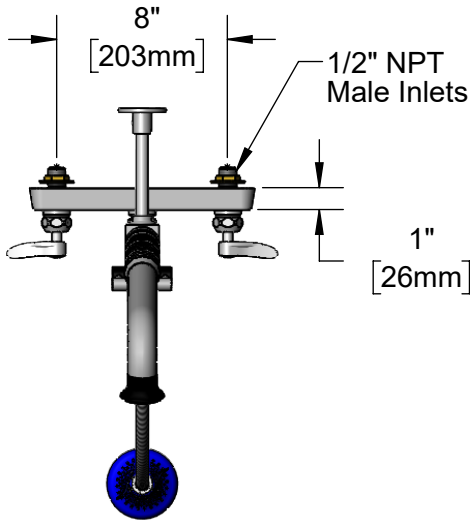
Job Name _____ Date _____

Model Specified _____ Quantity _____

Customer/Wholesaler _____

Contractor _____

Architect/Engineer _____



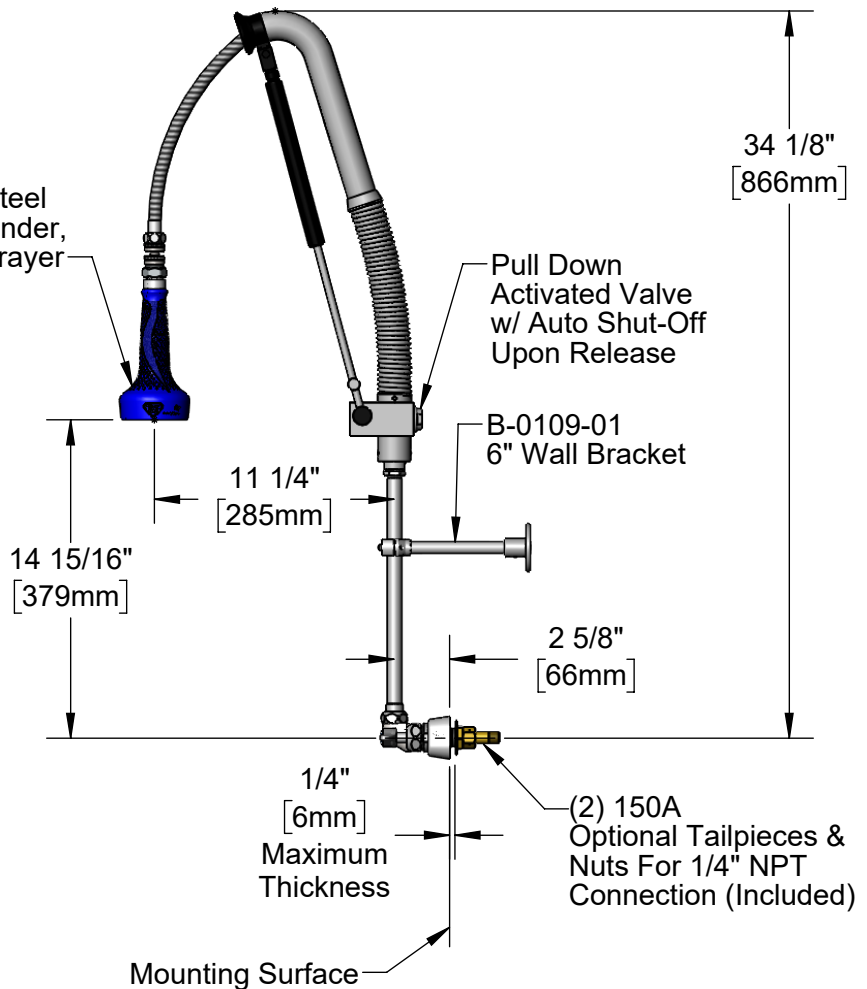
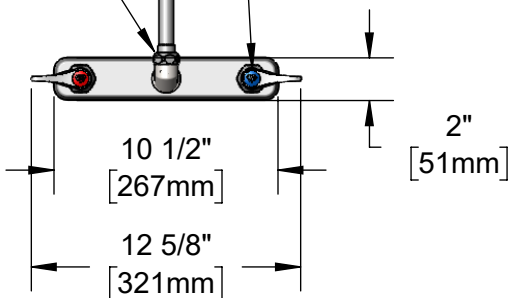
30" Flexible Stainless Steel
 Hose w/ Spring, Air Cylinder,
 Swivel, & 1.07 GPM Sprayer

Items Not Shown
 For Clarity

3/8" NPT x 12" Riser

Quarter-Turn
 Cerama Cartridges
 w/ Check Valves &
 Lever Handles w/
 Color Coded Indexes

EasyInstall
 Lock Nut &
 Bushing



Rough-In Requirement:
 (2) ϕ 1" [25mm] Mounting Holes

Product Specifications:
 EasyInstall Pull-Down Pre-Rinse Unit: 8" Wall Mount Workboard Faucet, Quarter-Turn, Cerama Cartridges w/ Check Valves, Lever Handles, 12" Riser, 30" Flexible Stainless Steel Hose, 1.07 GPM Sprayer w/ Ball-Joint Swivel, 6" Wall Bracket & 1/2" NPT Male Inlets

Product Compliance:
 ASME A112.18.1 / CSA B125.1
 NSF 61 - Section 9
 NSF 372 (Low Lead Content)
 2019 DOE PRSV - Class II

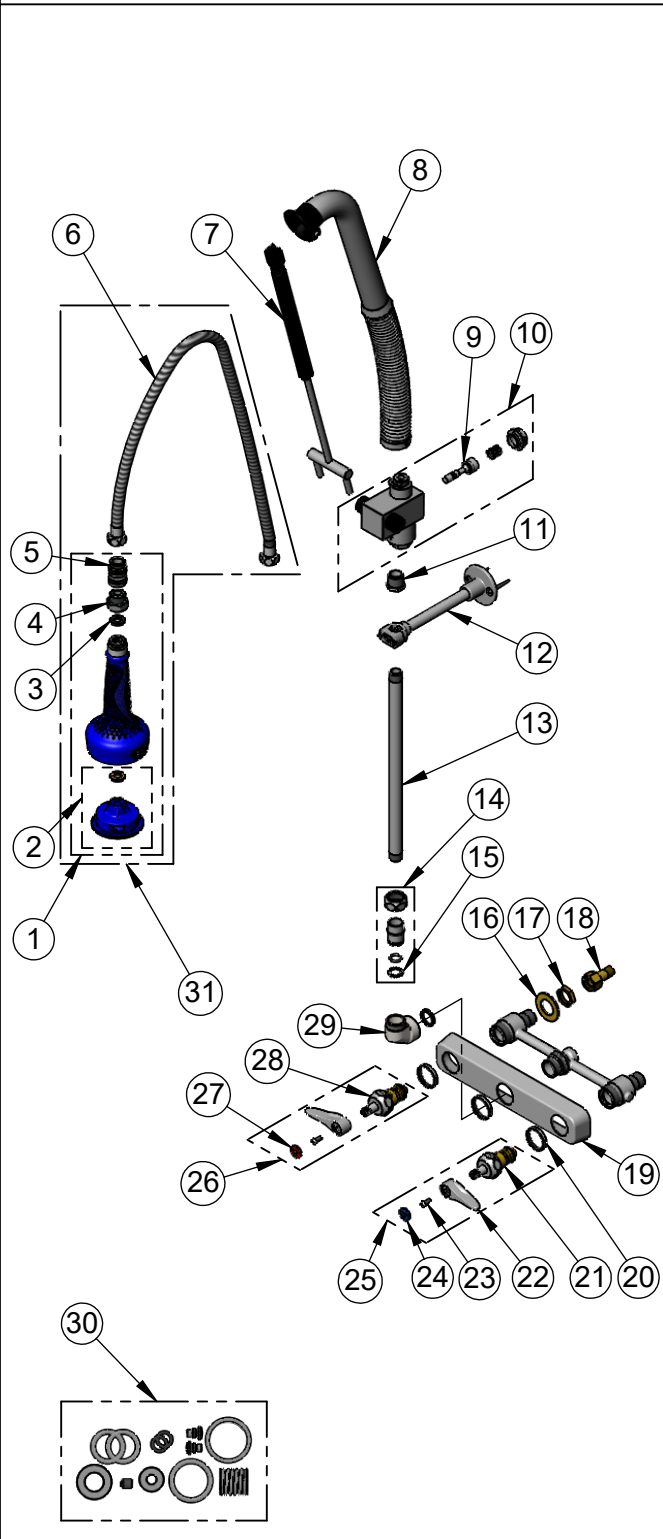


T&S BRASS AND BRONZE WORKS, INC.
 2 Saddleback Cove / P.O. Box 1088
 Travelers Rest, SC 29690

Model No.
B-5125-CR-B8P

Item No.

Travelers Rest, SC: 800-476-4103 • Simi Valley, CA: 800-423-0150 • Fax: 864-834-3518 • www.tsbrass.com



ITEM NO.	SALES NO.	DESCRIPTION
1	019898-40	1.07 GPM Spray w/ Swivel
2	108SF-RK	Spray Face Repair Kit
3	001014-45	Washer, Hose Barrel
4	005221-25	7/8"-20 UN x 1/2" BSPP Adapter
5	021046-45	Stainless Steel Ball-Joint Swivel
6	019901-45	30" Stainless Steel Braided Hose w/ 1/2" NPSM Threads
7	020062-45	Air Cylinder Repair Kit
8	020060-45	Spring & Tube Repair Kit
9	020061-45	Valve Stem Repair Kit
10	020063-45	Valve Body Repair Kit
11	001359-40	Hex Bushing, 1/2" NPT Male x 3/8" NPT Female
12	B-0109-01	6" Wall Bracket
13	145X	3/8" NPT x 12" Riser
14	EZ-K	EasyInstall Kit: Nut, Bushing, O-ring & Lock Washer
15	014200-45	Star Washer, Anti-Rotation
16	000999-45	Brass Lock Washer
17	002954-45	Shank Lock Nut
18	150A	1/4" NPT Tailpiece & Nut
19	019612-40	8" c/c Brass Escutcheon
20	019376-40	Escutcheon Lock Nut
21	012394-25NS	Quarter-Turn Cerama Cartridge, RTC w/ Check Valve
22	001638-45NS	Lever Handle (New Style)
23	000925-45	Lab Handle Screw
24	018506-19NS	Blue Button Index, Press-in
25	019641-25	Quarter-Turn Cerama Cartridge, RTC w/ Check Valve, Lever Handle, Index & Screw
26	019640-25	Quarter-Turn Cerama Cartridge, LTC w/ Check Valve, Lever Handle, Index & Screw
27	001193-19NS	Red Button Index, Press-in
28	012395-25NS	Quarter-Turn Cerama Cartridge, LTC w/ Check Valve
29	000082-40	B-1100 Knob
30	020064-45	PRU Control Valve Seal Repair Kit
31	021047-40	Hose, Sprayer & Swivel

Product Specifications:
 EasyInstall Pull-Down Pre-Rinse Unit: 8" Wall Mount Workboard Faucet, Quarter-Turn, Cerama Cartridges w/ Check Valves, Lever Handles, 12" Riser, 30" Flexible Stainless Steel Hose, 1.07 GPM Sprayer w/ Ball-Joint Swivel, 6" Wall Bracket & 1/2" NPT Male Inlets

Product Compliance:
 ASME A112.18.1 / CSA B125.1
 NSF 61 - Section 9
 NSF 372 (Low Lead Content)
 2019 DOE PRSV - Class II