



# T&S BRASS AND BRONZE WORKS, INC.

2 Saddleback Cove / P.O. Box 1088  
Travelers Rest, SC 29690

Model No.

**B-0207-CR-LS**

Item No.

Travelers Rest, SC: 800-476-4103 • Simi Valley, CA: 800-423-0150 • Fax: 864-834-3518 • www.tsbrass.com



**ADA Compliant**

This Space for Architect/Engineer Approval

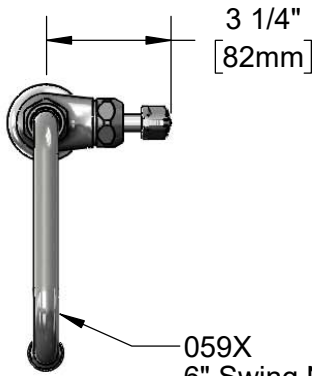
Job Name \_\_\_\_\_ Date \_\_\_\_\_

Model Specified \_\_\_\_\_ Quantity \_\_\_\_\_

Customer/Wholesaler \_\_\_\_\_

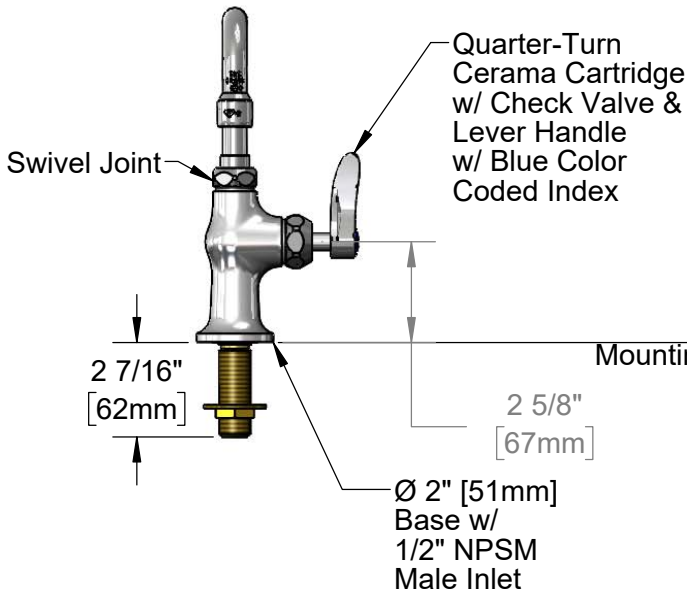
Contractor \_\_\_\_\_

Architect/Engineer \_\_\_\_\_



3 1/4"  
[82mm]

059X  
6" Swing Nozzle w/  
Stream Regulator Outlet.  
Converts to Rigid w/  
014200-45  
Lock Washer (Included)



Swivel Joint

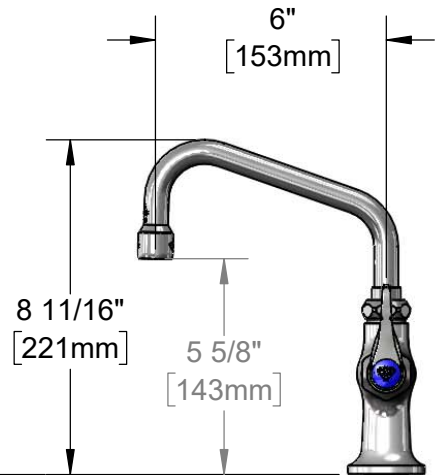
Quarter-Turn  
Cerama Cartridge  
w/ Check Valve &  
Lever Handle  
w/ Blue Color  
Coded Index

2 7/16"  
[62mm]

Mounting Surface

2 5/8"  
[67mm]

Ø 2" [51mm]  
Base w/  
1/2" NPSM  
Male Inlet



6"  
[153mm]

8 11/16"  
[221mm]

5 5/8"  
[143mm]

Inlet Shank w/  
Shank Washer &  
Lock Nut Will Be  
Shipped Un-Installed



150A  
Optional Tailpiece  
and Nut for 1/4" NPT  
Connection (Included)



Rough-In Requirement:  
Ø 1" [25mm] Mounting Hole

**Product Specifications:**

Single Hole Single Temperature Deck Mount Faucet w/ Quarter-Turn Cerama Cartridge w/ Check Valve, Lever Handle, 6" Swing Nozzle, Loose Shank Inlet & Tailpiece

**Product Compliance:**

ASME A112.18.1 / CSA B125.1  
NSF 61 - Section 9  
NSF 372 (Low Lead Content)  
ANSI A117.1 (ADA)



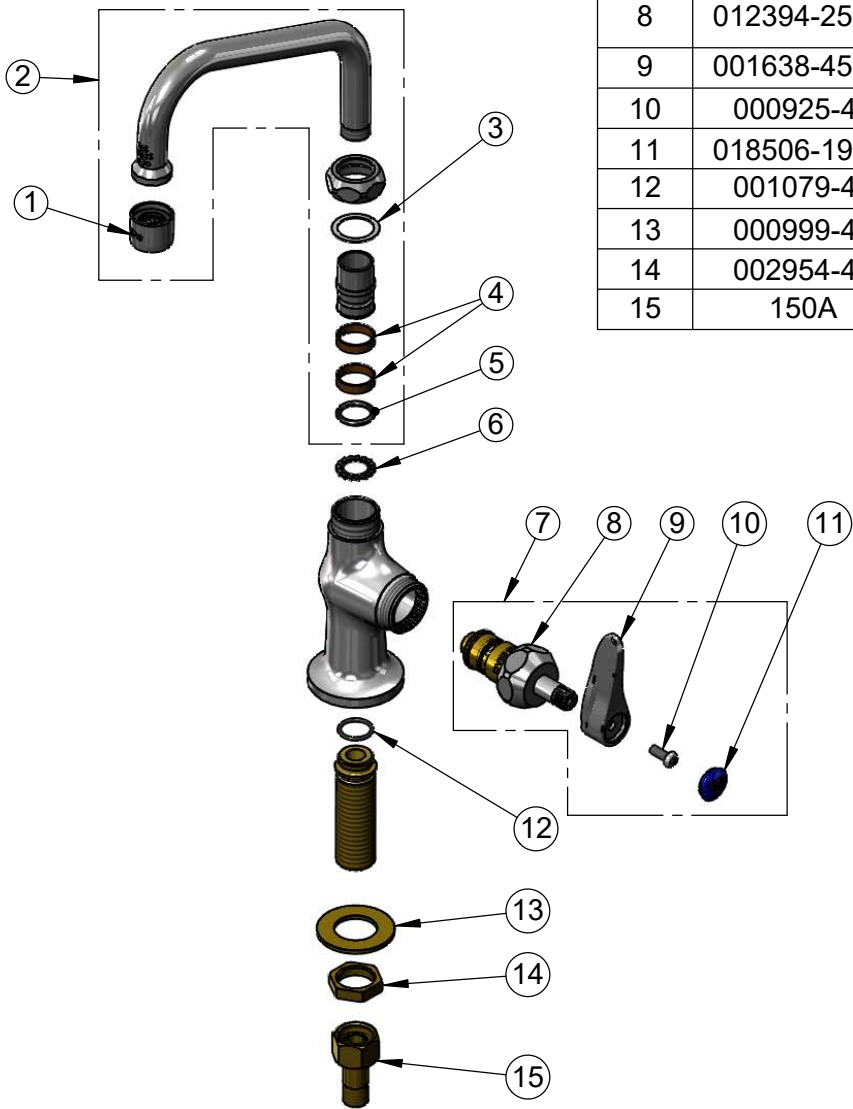
**T&S BRASS AND BRONZE WORKS, INC.**  
 2 Saddleback Cove / P.O. Box 1088  
 Travelers Rest, SC 29690

Model No.  
**B-0207-CR-LS**

Item No.

Travelers Rest, SC: 800-476-4103 • Simi Valley, CA: 800-423-0150 • Fax: 864-834-3518 • www.tsbrass.com

ITEM NO.	SALES NO.	DESCRIPTION
1	B-PT	Stream Regulator Outlet
2	059X	6" Swing Nozzle
3	009538-45	Swivel Washer
4	011429-45	Swivel Sleeves (2)
5	001074-45	O-Ring
6	014200-45	Star Washer, Anti-Rotation
7	019641-25	Quarter-Turn Cerama Cartridge RTC w/ Check Valve, Handle, Blue Index & Screw
8	012394-25NS	Quarter-Turn Cerama Cartridge w/ Check Valve, RTC
9	001638-45NS	Lever Handle (New Style)
10	000925-45	Lab Handle Screw
11	018506-19NS	Blue Button Index, Press-in
12	001079-45	O-ring, Size -016
13	000999-45	Brass Lock Washer
14	002954-45	Shank Lock Nut
15	150A	1/2" NPT Female Eccentric Flange



**Product Specifications:**  
 Single Hole Single Temperature Deck Mount Faucet w/ Quarter-Turn Cerama Cartridge w/ Check Valve, Lever Handle, 6" Swing Nozzle, Loose Shank Inlet & Tailpiece

**Product Compliance:**  
 ASME A112.18.1 / CSA B125.1  
 NSF 61 - Section 9  
 NSF 372 (Low Lead Content)  
 ANSI A117.1 (ADA)