



T&S BRASS AND BRONZE WORKS, INC.
 2 Saddleback Cove / P.O. Box 1088
 Travelers Rest, SC 29690

Model No.
B-2278-CR-C-EL

Item No.

Travelers Rest, SC: 800-476-4103 • Simi Valley, CA: 800-423-0150 • Fax: 864-834-3518 • www.tsbrass.com

This Space for Architect/Engineer Approval

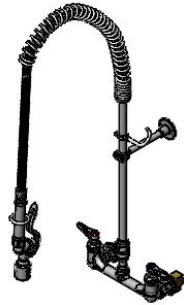
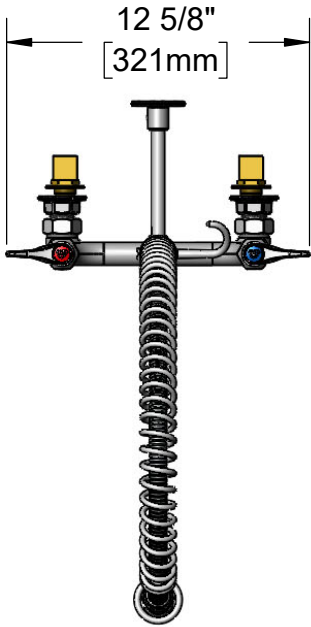
Job Name _____ Date _____

Model Specified _____ Quantity _____

Customer/Wholesaler _____

Contractor _____

Architect/Engineer _____



44" Flexible Stainless Steel Hose w/ Overhead Spring & Spray Valve

Items Not Shown for Clarity

Finger Hook

3/8" NPT x 18" Riser

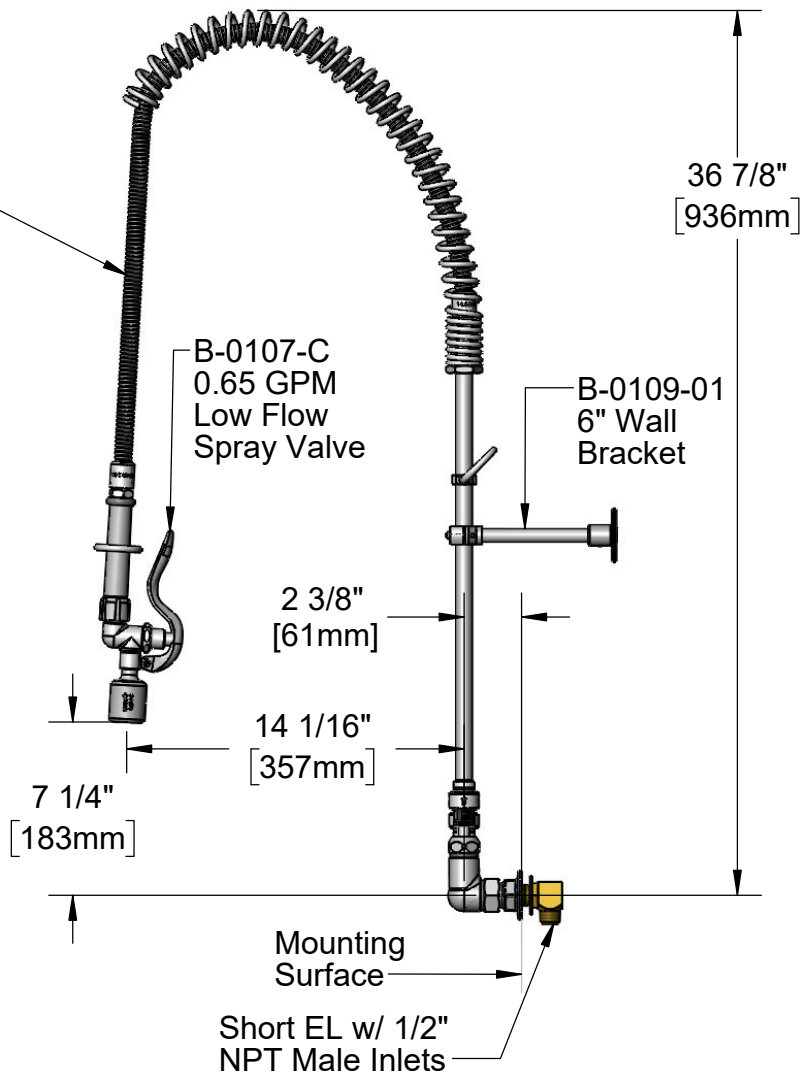
B-0970-FEZ Vacuum Breaker

EasyInstall Lock Nut & Bushing

Quarter-Turn Cerama Cartridges w/ Check Valves & Lever Handles w/ Color Coded Indexes

Ø 2" [51mm] Flanges w/ 1/2" NPT Female Inlets When Short Els are Removed

8" [203mm] Adjustable From 7 3/4" to 8 1/4" [197mm to 210mm]



B-0107-C 0.65 GPM Low Flow Spray Valve

B-0109-01 6" Wall Bracket

2 3/8" [61mm]

14 1/16" [357mm]

7 1/4" [183mm]

Mounting Surface

Short EL w/ 1/2" NPT Male Inlets

Product Specifications:

Pre-Rinse Unit: EasyInstall 8" Wall Mount Mixing Faucet, Quarter-Turn Cerama Cartridges w/ Check Valves, Lever Handles, 3/8" NPT Vacuum Breaker, 18" Riser, 6" Wall Bracket, 44" Flexible Stainless Steel Hose, 0.65 GPM Low Flow Spray Valve & 1/2" NPT Male Inlets

Product Compliance:

ASME A112.18.1 / CSA B125.1
 NSF 61 - Section 9
 NSF 372 (Low Lead Content)
 2019 DOE PRSV - Class I
 CSA B64.8 (VB)

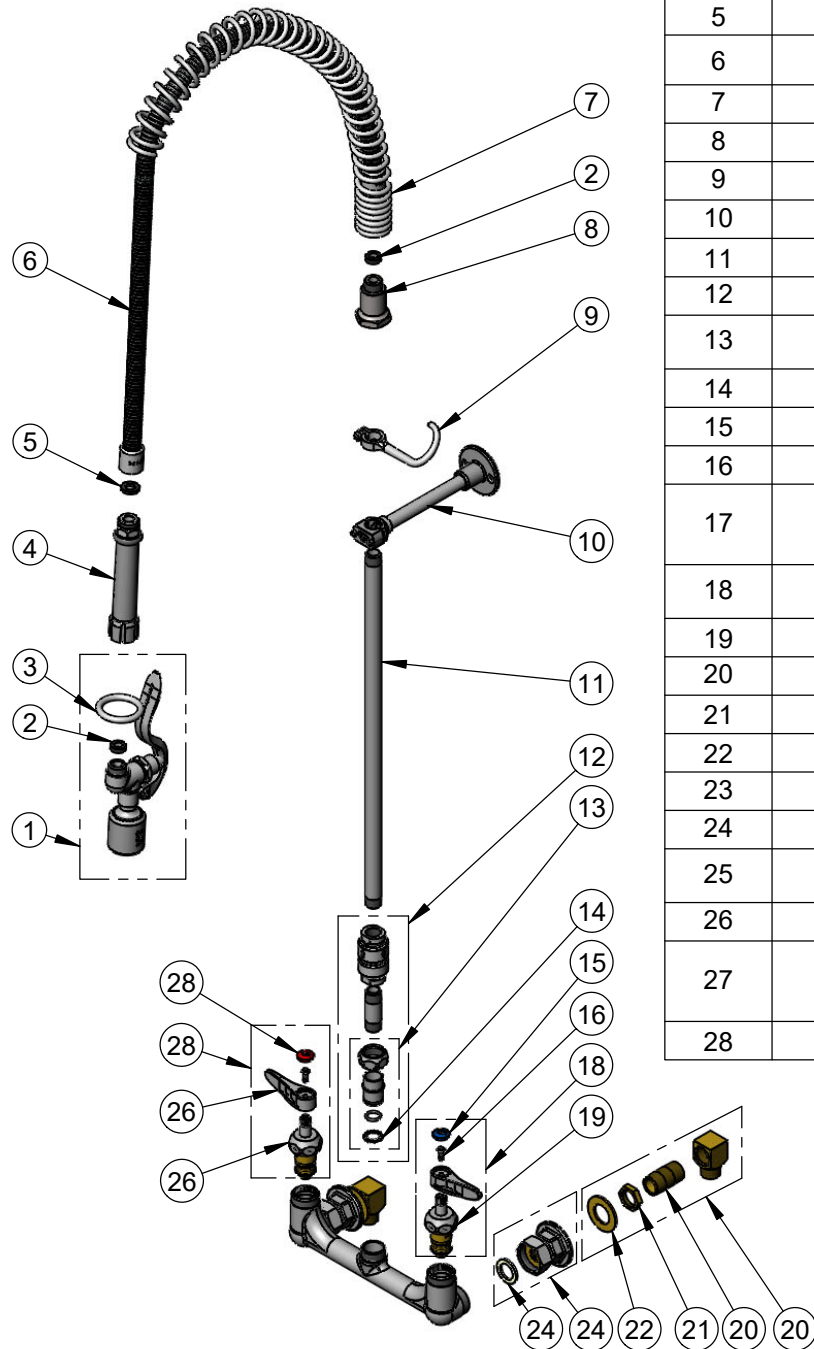


T&S BRASS AND BRONZE WORKS, INC.
 2 Saddleback Cove / P.O. Box 1088
 Travelers Rest, SC 29690

Model No.
B-2278-CR-C-EL

Item No.

Travelers Rest, SC: 800-476-4103 • Simi Valley, CA: 800-423-0150 • Fax: 864-834-3518 • www.tsbrass.com



ITEM NO.	SALES NO.	DESCRIPTION
1	B-0107-C	0.65 GPM Low Flow Spray Valve
2	010476-45	#27 Washer
3	000907-45	Spray Valve Hold Down Ring
4	002987-40	Grip Handle
5	001014-45	Washer, B-0100 Hose Barrel
6	B-0044-H2A	44" Flexible Stainless Steel Hose (Less Handle)
7	000888-45	EasyInstall Overhead Spring
8	000821-40	Spring Body
9	004R	Finger Hook
10	B-0109-01	6" Wall Support
11	000369-40	3/8" NPT x 18" Riser
12	B-0970-FEZ	EasyInstall Vacuum Breaker
13	EZ-K	EasyInstall Kit: Nut, Bushing, O-Ring & Lock Washer
14	014200-45	Star Washer, Anti-Rotation
15	018506-19NS	Blue Button Index, Press-in
16	000925-45	Lab Handle Screw
17	012247-25NS	Quarter-Turn Cerama Cartridge w/ Check Valve, Handle, Blue Index & Screw, LTC
18	012395-25NS	Quarter-Turn Cerama Cartridge w/ Check Valve, LTC
19	B-0230-K	Short Elbow Installation Kit
20	013357-20	1/2" NPT x 1-5/8" Lg. Close Nipple
21	002954-45	Shank Lock Nut
22	000999-45	Brass Lock Washer
23	00AA	1/2" NPT Female Eccentric Flange
24	001019-45	Coupling Nut Washer
25	012394-25NS	Quarter-Turn Cerama Cartridge w/ Check Valve, RTC
26	001638-45NS	Lever Handle (New Style)
27	012446-25NS	Quarter-Turn Cerama Cartridge w/ Check Valve, Handle, Red Index & Screw, RTC
28	001193-19NS	Red Button Index, Press-in

Product Specifications:
 Pre-Rinse Unit: EasyInstall 8" Wall Mount Mixing Faucet, Quarter-Turn Cerama Cartridges w/ Check Valves, Lever Handles, 3/8" NPT Vacuum Breaker, 18" Riser, 6" Wall Bracket, 44" Flexible Stainless Steel Hose, 0.65 GPM Low Flow Spray Valve & 1/2" NPT Male Inlets

Product Compliance:
 ASME A112.18.1 / CSA B125.1
 NSF 61 - Section 9
 NSF 372 (Low Lead Content)
 2019 DOE PRSV - Class I
 CSA B64.8 (VB)