



# T&S BRASS AND BRONZE WORKS, INC.

2 Saddleback Cove / P.O. Box 1088  
Travelers Rest, SC 29690

Model No.

**B-7232-U01XS4E**

Item No.

Travelers Rest, SC: 800-476-4103 • Simi Valley, CA: 800-423-0150 • Fax: 864-834-3518 • www.tsbrass.com

This Space for Architect/Engineer Approval

Job Name \_\_\_\_\_ Date \_\_\_\_\_

Model Specified \_\_\_\_\_ Quantity \_\_\_\_\_

Customer/Wholesaler \_\_\_\_\_

Contractor \_\_\_\_\_

Architect/Engineer \_\_\_\_\_

B-0963  
Continuous Pressure  
Vacuum Breaker w/  
Integral Check Valve

3/8" NPT x 36"  
Flexible Water  
Hose

(2) B-0109-07  
Wall Brackets

Stainless Steel  
Quick Disconnect

3/8" NPT x  
40" Riser

Control Valve

3/8" NPT x  
16" Riser

EasyInstall  
Lock Nut &  
Bushing

5 3/16"  
[131mm]

Adjustable From  
7 3/4" to 8 1/4"  
[197mm to 210mm]

Quarter-Turn  
Eterna Cartridges  
w/ Spring Checks  
& Lever Handles  
w/ Color Coded  
Indexes

12 5/8"  
[321mm]

6 7/16"  
[164mm]

Open Coated  
Hose Reel  
w/ 35' of 3/8" Hose

019652-40  
3/8" NPT  
Live Swivel

EB-0107  
High Flow  
Spray Valve

67 5/16"  
[1710mm]

5 1/2"  
[139mm]

∅ 1/2"  
[13mm]

5 1/4"  
[133mm]

20 5/16"  
[516mm]

3/4"  
[19mm]

2 3/8"  
[60mm]

1/2"  
[13mm]

∅ 2" [51mm]  
Flanges w/  
1/2" NPT  
Female Inlets

**Product Specifications:**

Open Coated Hose Reel w/ 35' of 3/8" Hose, High Flow Spray Valve w/ Swivel, Vacuum Breaker, 3/8" NPT Flexible Water Hose, 8" Deck Mount Mixing Faucet w/ Spring Checks, (2) Wall Brackets & Control Valve

**Product Compliance:**

NSF 61 Exempt (Non-Potable)  
2019 DOE PRSV Non-Compliant  
ASSE 1056 (VB)



# T&S BRASS AND BRONZE WORKS, INC.

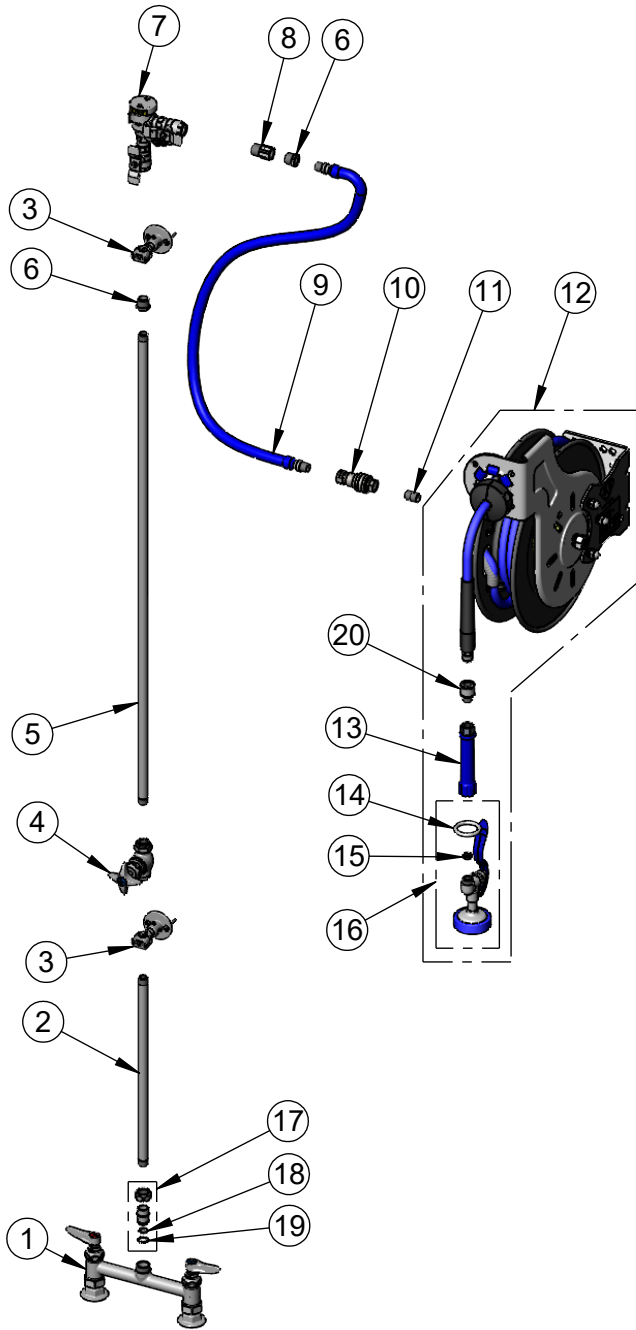
2 Saddleback Cove / P.O. Box 1088  
Travelers Rest, SC 29690

Model No.

**B-7232-U01XS4E**

Item No.

Travelers Rest, SC: 800-476-4103 • Simi Valley, CA: 800-423-0150 • Fax: 864-834-3518 • www.tsbrass.com



ITEM NO.	SALES NO.	DESCRIPTION
1	B-0320-LN	8" Deck Mount Base Faucet
2	000368-40	3/8" NPT x 16" Riser
3	B-0109-07	Wall Bracket
4	0RK3	Control Valve
5	002558-40	3/8" NPT x 40" Riser
6	001359-40	1/2" NPT Male x 3/8" NPT Female Hex Bushing
7	B-0963	1/2" NPT Continuous Pressure VB w/ Integral Check Valve
8	015073-40	Check Valve 1/2" NPT Adapter
9	HW-2B-36	3/8" NPT x 36" Flexible Water Hose
10	AW-5B	3/8" NPT Quick Disconnect
11	002535-25	3/8" Close Nipple
12	B-7232-01	Open Coated Hose Reel w/ 35' x 3/8" Hose
13	012504-40	Grip Handle (Blue), 3/8" NPT
14	000907-45	Spray Valve Hold Down Ring
15	010476-45	#27 Washer
16	EB-0107	High Flow Spray Valve
17	EZ-K	EasyInstall Kit
18	001065-45	O-Ring
19	014200-45	Star Washer, Anti-Rotation
20	019652-40	3/8" NPT Live Swivel

**Product Specifications:**

Open Coated Hose Reel w/ 35' of 3/8" Hose, High Flow Spray Valve w/ Swivel, Vacuum Breaker, 3/8" NPT Flexible Water Hose, 8" Deck Mount Mixing Faucet w/ Spring Checks, (2) Wall Brackets & Control Valve

**Product Compliance:**

NSF 61 Exempt (Non-Potable)  
2019 DOE PRSV Non-Compliant  
ASSE 1056 (VB)