



T&S BRASS AND BRONZE WORKS, INC.

2 Saddleback Cove / P.O. Box 1088
Travelers Rest, SC 29690

Model No.

B-0800

Item No.

Travelers Rest, SC: 800-476-4103 • Simi Valley, CA: 800-423-0150 • Fax: 864-834-3518 • www.tsbrass.com



ADA Compliant

This Space for Architect/Engineer Approval

Job Name _____ Date _____

Model Specified _____ Quantity _____

Customer/Wholesaler _____

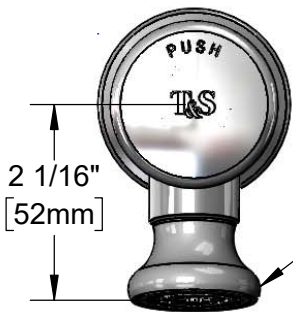
Contractor _____

Architect/Engineer _____



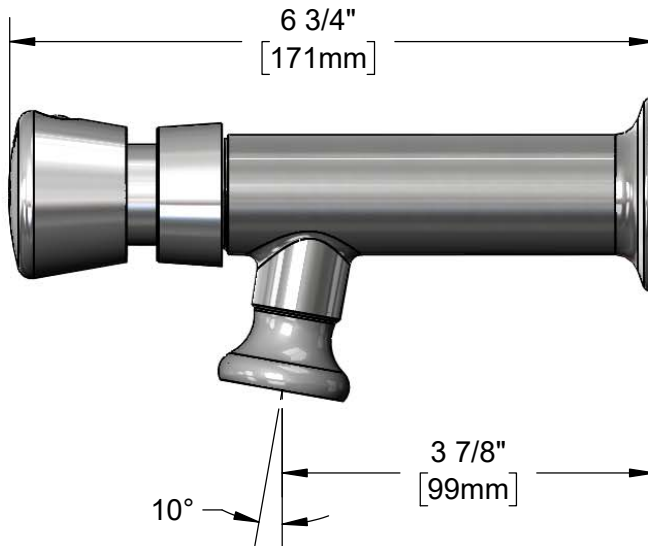
Metering Cartridge
(Requires 3/32" Hex
Key for Adjustment)

Blank Push Button Cap
& Spanner Bit



2 1/16"
[52mm]

2.2 GPM
Rosespray
Outlet



6 3/4"
[171mm]

Ø 2" [51mm]
Flange w/
1/2" NPT
Female Inlet

3 7/8"
[99mm]

10°

Product Specifications:

Wash Sink Metering Faucet w/ 2.2 GPM Rosespray, Push Button Metering Cartridge & 1/2" NPT Female Inlet

Product Compliance:

ASME A112.18.1 / CSA B125.1
NSF 61 - Section 9
NSF 372 (Low Lead Content)
ANSI A117.1 (ADA)



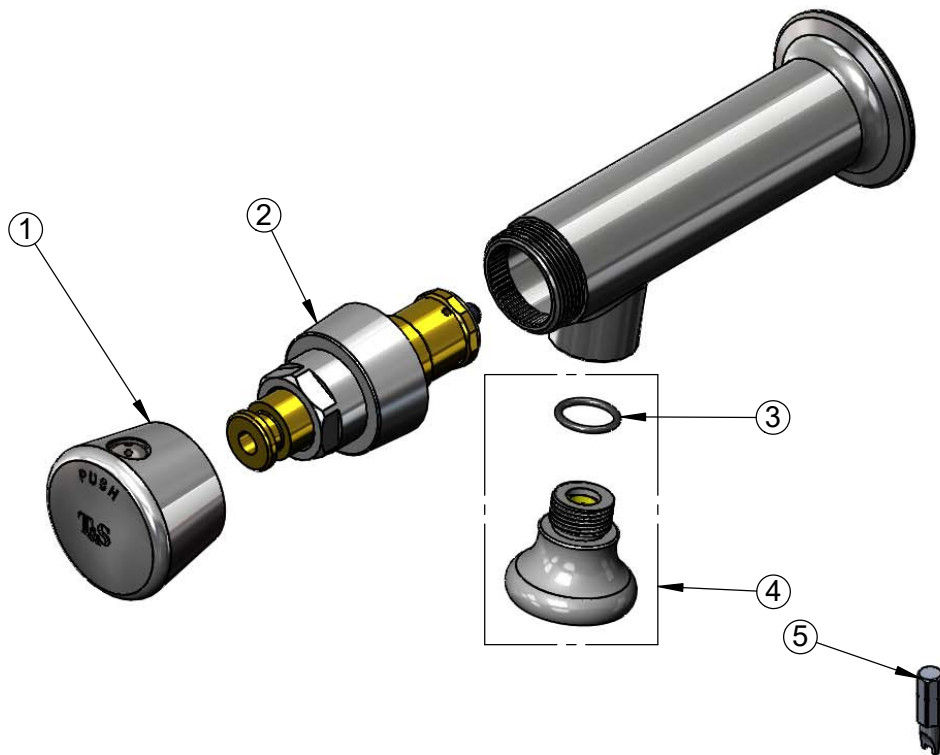
T&S BRASS AND BRONZE WORKS, INC.
 2 Saddleback Cove / P.O. Box 1088
 Travelers Rest, SC 29690

Model No.
B-0800

Item No.

Travelers Rest, SC: 800-476-4103 • Simi Valley, CA: 800-423-0150 • Fax: 864-834-3518 • www.tsbrass.com

ITEM NO.	SALES NO.	DESCRIPTION
1	014193-40	Push Button Cap Assembly
2	238A	Push Button Metering Cartridge
3	006575-45	-015 O-Ring
4	B-0103	2.2 GPM Rosespray, 3/8-18 NPT Male
5	014734-45	#8 Spanner Bit



Product Specifications:
 Wash Sink Metering Faucet w/ 2.2 GPM Rosespray, Push Button Metering Cartridge & 1/2" NPT Female Inlet

Product Compliance:
 ASME A112.18.1 / CSA B125.1
 NSF 61 - Section 9
 NSF 372 (Low Lead Content)
 ANSI A117.1 (ADA)