



# T&S BRASS AND BRONZE WORKS, INC.

2 Saddleback Cove / P.O. Box 1088  
Travelers Rest, SC 29690

Model No.

**B-0133-CCB**

Item No.

Travelers Rest, SC: 800-476-4103 • Simi Valley, CA: 800-423-0150 • Fax: 864-834-3518 • www.tsbrass.com

This Space for Architect/Engineer Approval

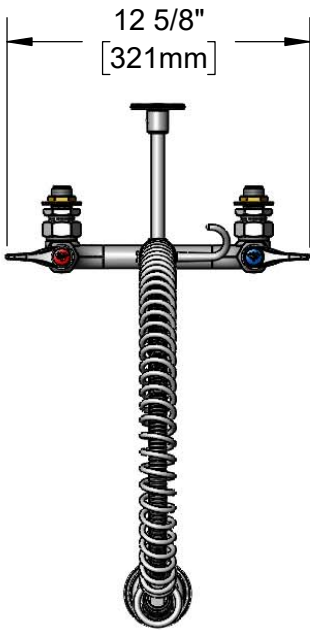
Job Name \_\_\_\_\_ Date \_\_\_\_\_

Model Specified \_\_\_\_\_ Quantity \_\_\_\_\_

Customer/Wholesaler \_\_\_\_\_

Contractor \_\_\_\_\_

Architect/Engineer \_\_\_\_\_



44" Flexible Stainless Steel Hose w/ Spring & Spray Valve

Items Not Shown For Clarity

Finger Hook

B-0107  
1.15 GPM  
Spray Valve

Quarter-Turn Eterna Cartridges w/ Spring Checks & Lever Handles w/ Color Coded Indexes

B-0109-01  
6" Wall  
Bracket

3/8" NPT x  
18" Riser

EasyInstall  
Lock Nut  
& Bushing

3 11/16"  
[94mm]

8"  
[203mm]

3 3/4"  
[95mm]

2"  
[51mm]

14 1/16"  
[357mm]

3/16"  
[5mm]  
Maximum  
Thickness

33 5/16"  
[846mm]

1/2" NPT  
Male Inlets

Mounting  
Surface

Rough-In Requirement:  
(2)  $\phi$  1" [25mm] Mounting Holes

**Product Specifications:**

Pre-Rinse Unit: EasyInstall 8" Wall Mount Mixing Faucet, Quarter-Turn Eterna Cartridges w/ Spring Checks, Lever Handles, 44" Flexible Stainless Steel Hose, 1.15 GPM Spray Valve, 6" Wall Bracket & 1/2" NPT Male Inlets

**Product Compliance:**

ASME A112.18.1 / CSA B125.1  
NSF 61 - Section 9  
NSF 372 (Low Lead Content)  
2019 DOE PRSV - Class II



# T&S BRASS AND BRONZE WORKS, INC.

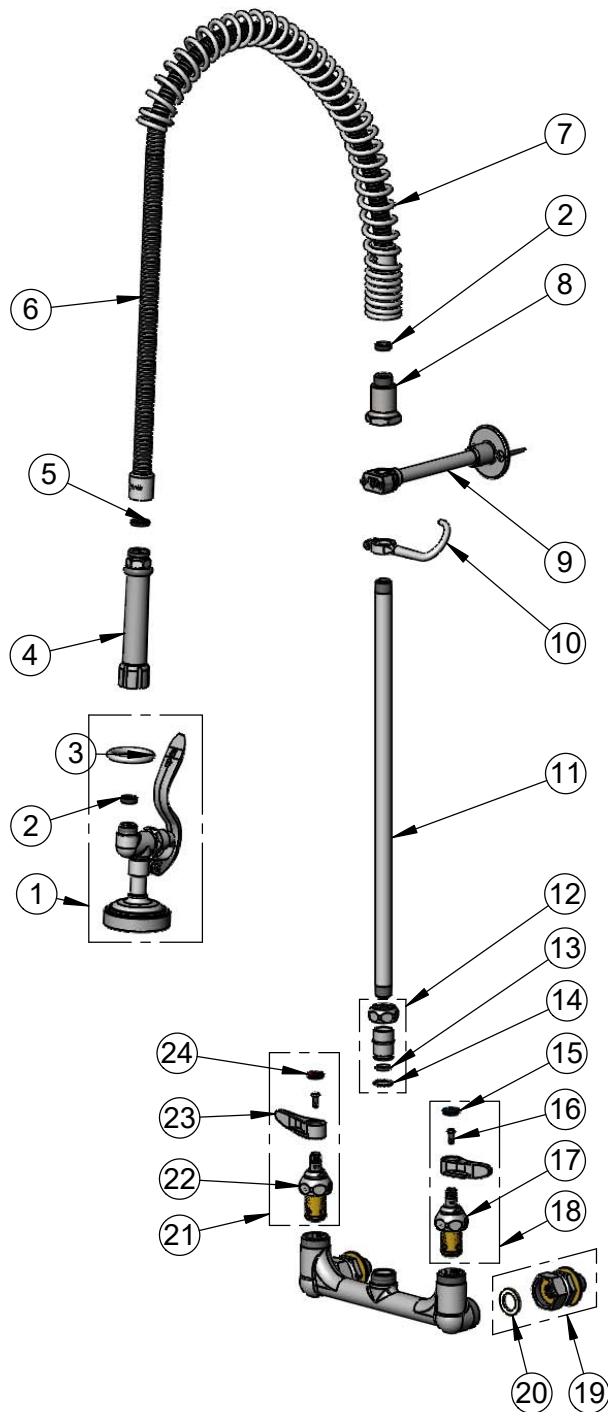
2 Saddleback Cove / P.O. Box 1088  
Travelers Rest, SC 29690

Model No.

**B-0133-CCB**

Item No.

Travelers Rest, SC: 800-476-4103 • Simi Valley, CA: 800-423-0150 • Fax: 864-834-3518 • www.tsbrass.com



| ITEM NO. | SALES NO.   | DESCRIPTION  |
|----------|-------------|--|
| 1        | B-0107      | 1.15 GPM Spray Valve   |
| 2        | 010476-45   | #27 Washer   |
| 3        | 000907-45   | Spray Valve Hold Down Ring   |
| 4        | 002987-40   | Grip Handle  |
| 5        | 001014-45   | Washer, B-0100 Hose Barrel   |
| 6        | B-0044-H2A  | 44" Flexible Stainless Steel Hose, Less Handle                                 |
| 7        | 000888-45   | EasyInstall Overhead Spring  |
| 8        | 000821-40   | Spring Body  |
| 9        | B-0109-01   | 6" Wall Bracket  |
| 10       | 004R        | Finger Hook  |
| 11       | 000369-40   | 3/8" NPT x 18" Riser   |
| 12       | EZ-K        | EasyInstall Kit  |
| 13       | 001065-45   | O-Ring   |
| 14       | 014200-45   | Star Washer, Anti-Rotation   |
| 15       | 018506-19NS | Blue Button Index, Press-in  |
| 16       | 000925-45   | Lab Handle Screw   |
| 17       | 012442-40NS | Quarter-Turn Eterna Cartridge w/ Spring Check, LTC                             |
| 18       | 002711-40NS | Quarter-Turn Eterna Cartridge w/ Spring Check, Handle, Blue Index & Screw, LTC |
| 19       | 00CC        | 1/2" NPT Male Inlet Flange   |
| 20       | 001019-45   | Coupling Nut Washer  |
| 21       | 002712-40NS | Quarter-Turn Eterna Cartridge w/ Spring Check, Handle, Red Index & Screw, RTC  |
| 22       | 012443-40NS | Quarter-Turn Eterna Cartridge w/ Spring Check, RTC                             |
| 23       | 001638-45NS | Lever Handle (New Style)   |
| 24       | 001193-19NS | Red Button Index, Press-in   |

**Product Specifications:**

Pre-Rinse Unit: EasyInstall 8" Wall Mount Mixing Faucet, Quarter-Turn Eterna Cartridges w/ Spring Checks, Lever Handles, 44" Flexible Stainless Steel Hose, 1.15 GPM Spray Valve, 6" Wall Bracket & 1/2" NPT Male Inlets

**Product Compliance:**

ASME A112.18.1 / CSA B125.1  
NSF 61 - Section 9  
NSF 372 (Low Lead Content)  
2019 DOE PRSV - Class II