



Architect/Engineering Specifications:

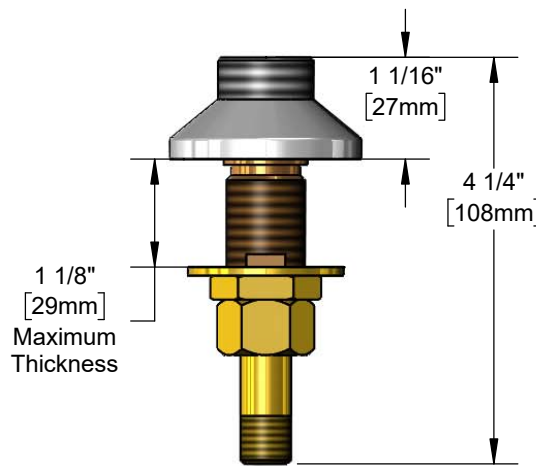
Ø 2" swivel base flange with 1-20 UN threaded outlet, 1/2" NPT lock nut and washer. Certified to ASME A112.18.1/CSA B125.1, NSF 61-Section 9 and NSF 372.

Job Name _____

Model Specified _____ Quantity _____

Variations Specified _____

Date _____



Features & Benefits:

- Ø 2" swivel base flange
- Lock washer provided for rigid application
- 1-20 UN threaded outlet accepts standard T&S swing nozzles
- 1/2" NPT lock nut and washer
- Material: Brass

Product Compliance:

- ASME A112.18.1 / CSA B125.1
- NSF 61 - Section 9
- NSF 372 (Low Lead Content)



Warranty: One Year (Limited)

Performance Data:

- N/A

