



Architect/Engineering Specifications:

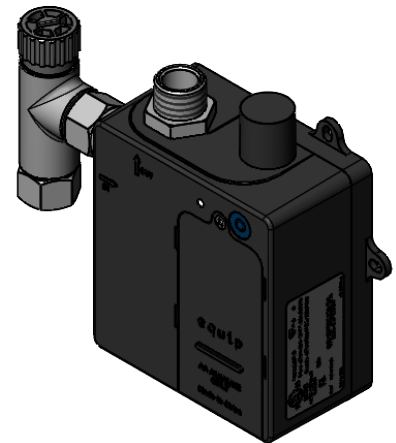
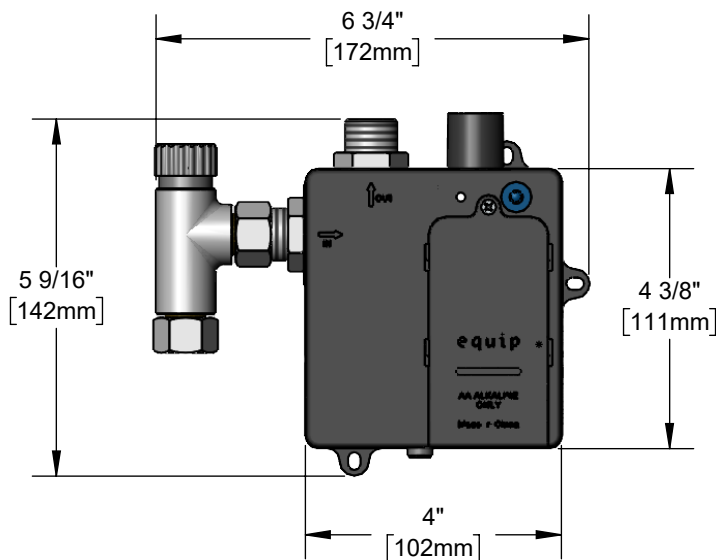
Below-deck control module box 4" x 4 3/8" x 2 3/16" deep with water resistant faucet sensor cable connection, mixed water elbow fitting and integral strainer, 1/2" NPSM female swivel coupling nut and AC or DC operated with (4) AA batteries. Certified to ASME A112.18.1/CSA B125.1, NSF 61-Section 9, NSF 372 and UL 1951.

Job Name _____

Model Specified _____ Quantity _____

Variations Specified _____

Date _____



Features & Benefits:

- Below deck sensor faucet control module
- 4" x 4 3/8" x 2 3/16" deep water resistant black module housing
- Filter tee with integral strainer
- 1/2" NPSM female swivel nut inlet
- 1/2" NPSM male outlet
- AC or DC operated w/ (4) AA batteries

Product Compliance:

- ASME A112.18.1 / CSA B125.1
- NSF 61 - Section 9
- NSF 372 (Low Lead Content)
- UL 1951



Warranty: One Year (Limited)



Performance Data:

- Pressure: 20 - 125 psi [1.38 - 8.62 bar]
- Temperature: 40°F - 140°F [4.44°C - 60°C]

