



Single Lever Faucets

B-2710-LH

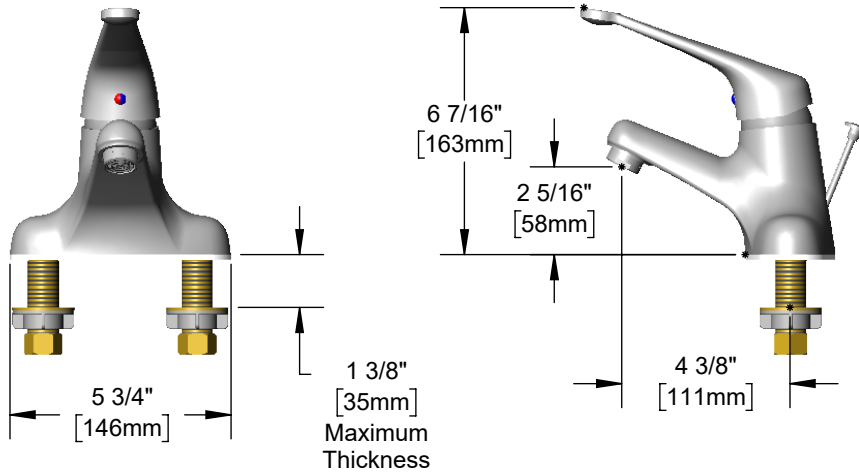
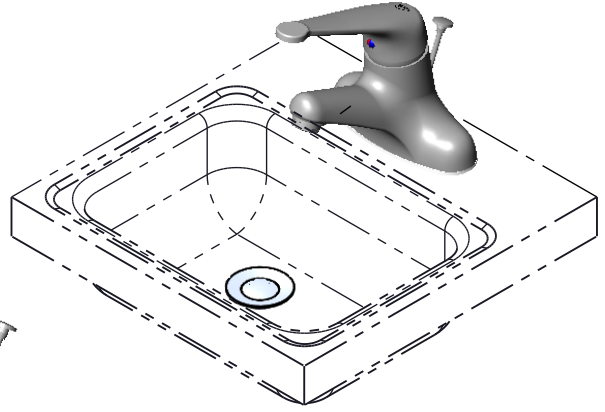
TAG:

4" Centerset Single Lever Faucet

Architect/Engineering Specifications:

4" centerset, deck mount lavatory single lever faucet, polished chrome brass body with integral spout, 2.2 GPM aerator, ceramic cartridge with adjustable temperature limit stop, single lever long handle, 1/2" NPSM male inlets with coupling nuts and pop-up drain. Certified to ASME A112.18.1/CSA B125.1, NSF 61-Section 9 and NSF 372.

Job Name _____
 Model Specified _____ Quantity _____
 Variations Specified _____
 Date _____



Features & Benefits:

- 4" centerset, deck mount lavatory single lever faucet
- Polished chrome brass body with integral spout
- 2.2 GPM aerator, Series 4 (B-0199-04)
- Single lever long handle with color coded index
- Ceramic cartridge with adjustable temperature limit stop
- 1/2" NPSM male inlets with coupling nuts
- Pop-up drain assembly, ϕ 1 1/4" brass tailpiece
- Pop-up drain fits sinks with ϕ 1 7/16" to ϕ 1 3/4" drain hole
- Mounting hardware and deck gasket
- Material: Polished chrome brass body, chrome plated metal handle and brass drain assembly with chrome plated drain stop

Product Compliance:

- ASME A112.18.1 / CSA B125.1
- NSF 61 - Section 9
- NSF 372 (Low Lead Content)



Warranty: One Year (Limited)

- Ceramic Cartridge: Two Year (Limited)

Performance Data:

- Pressure: 20 - 125 psi [1.38 - 8.62 bar]
- Temperature: 40°F - 140°F [4.44°C - 60°C]
- Flow Rate: 2.2 GPM [8.33 L/min] @ 60 psi [4.14 bar]

Optional Outlets (Series 4 / VR Series 9)

GPM	Aerated	Non-Aerated (Laminar)	VR Aerated	VR Non-Aerated (VR Laminar)
0.35	N/A	<input type="checkbox"/> B-0199-04-N035	N/A	<input type="checkbox"/> B-0199-09-N035
0.5	N/A	<input type="checkbox"/> B-0199-04-N05	N/A	<input type="checkbox"/> B-0199-09-N05
1.0	N/A	N/A	N/A	<input type="checkbox"/> B-0199-09-LF10
1.2	<input type="checkbox"/> B-0199-04-F12	N/A	<input type="checkbox"/> B-0199-09-F12	N/A
1.5	<input type="checkbox"/> B-0199-04-WS	N/A	<input type="checkbox"/> B-0199-09-WS	<input type="checkbox"/> B-0199-09-LF15
2.2	Standard	<input type="checkbox"/> B-0199-25	<input type="checkbox"/> B-0199-09	<input type="checkbox"/> B-0199-27



T&S BRASS AND BRONZE WORKS, INC.



• 2 Saddleback Cove • Travelers Rest, SC 29690
 Ph 800-476-4103 • Fax 864-834-3518
 • Simi Valley, CA • Ph 800-423-0150 • www.tsbrass.com

Date: 02/19/24