



T&S BRASS AND BRONZE WORKS, INC.
 2 Saddleback Cove / P.O. Box 1088
 Travelers Rest, SC 29690

Model No.
002872-40

Item No.

Travelers Rest, SC: 800-476-4103 • Simi Valley, CA: 800-423-0150 • Fax: 864-834-3518 • www.tsbrass.com

This Space for Architect/Engineer Approval

Job Name _____ Date _____

Model Specified _____ Quantity _____

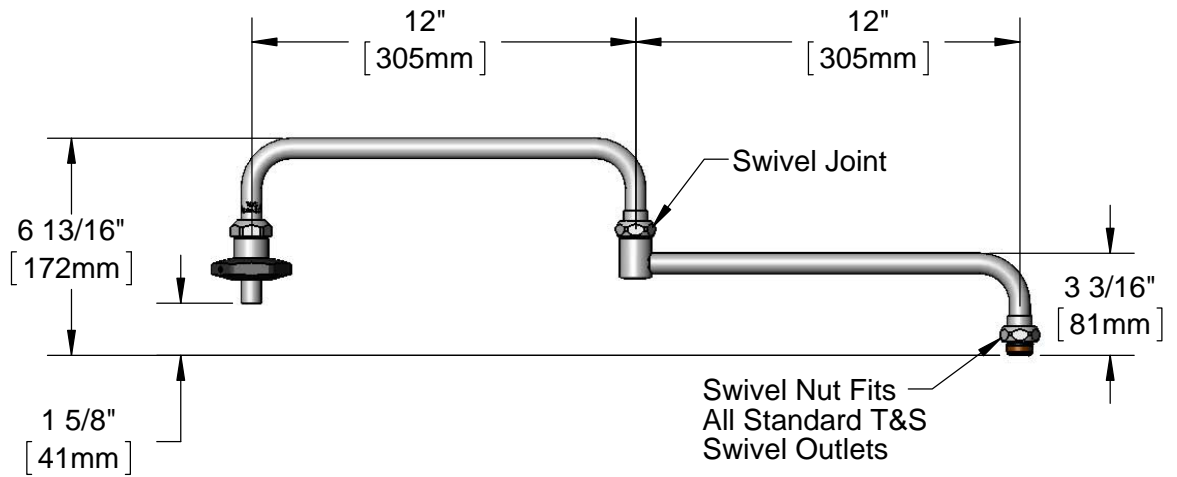
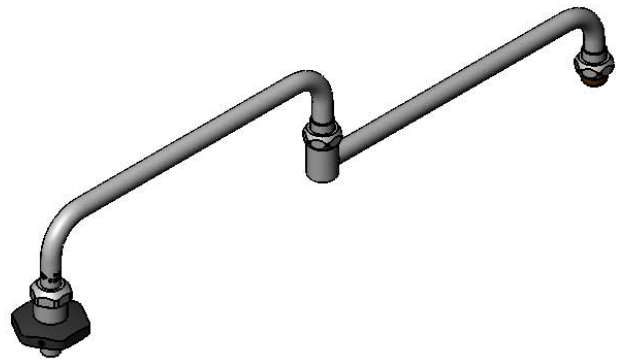
Customer/Wholesaler _____

Contractor _____

Architect/Engineer _____



Heat Resistant
"On-Off" Handle



Product Specifications:
 24" Double Joint Swing Nozzle (12" Back Section & 12" Front Section w/ Black Heat Resistant "On-Off" Handle Outlet

Product Compliance:
 ASME A112.18.1 / CSA B125.1
 NSF 61 - Section 9
 NSF 372 (Low Lead Content)



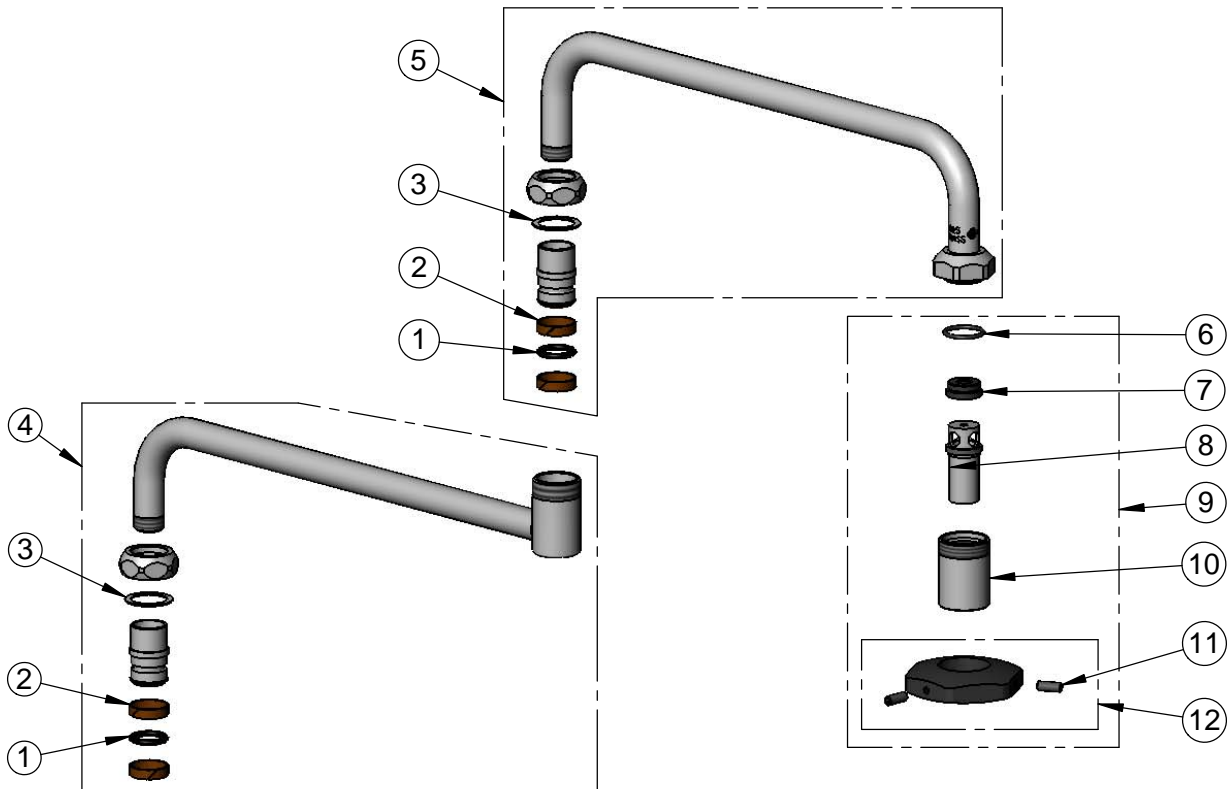
T&S BRASS AND BRONZE WORKS, INC.
 2 Saddleback Cove / P.O. Box 1088
 Travelers Rest, SC 29690

Model No.
002872-40

Item No.

Travelers Rest, SC: 800-476-4103 • Simi Valley, CA: 800-423-0150 • Fax: 864-834-3518 • www.tsbrass.com

ITEM NO.	SALES NO.	DESCRIPTION
1	001074-45	O-Ring
2	011429-45	Swivel Sleeves (2)
3	009538-45	Swivel Washer
4	002871-40	Double Joint Swing Nozzle 12" Back Section
5	002869-40	12" Double Joint Front Section
6	003426-45	O-Ring
7	001089-45	Seal
8	001498-25	Spout
9	035A	Outlet
10	000587-25	Spout Body
11	000936-45	Handle Set Screw
12	001126-20	Black Heat Resistant Handle w/ (2) Set Screws



Product Specifications:
 24" Double Joint Swing Nozzle (12" Back Section & 12" Front Section w/ Black Heat Resistant "On-Off" Handle Outlet

Product Compliance:
 ASME A112.18.1 / CSA B125.1
 NSF 61 - Section 9
 NSF 372 (Low Lead Content)