



T&S BRASS AND BRONZE WORKS, INC.

2 Saddleback Cove / P.O. Box 1088
Travelers Rest, SC 29690

Model No.

B-7232-01-ESB36

Item No.

Travelers Rest, SC: 800-476-4103 • Simi Valley, CA: 800-423-0150 • Fax: 864-834-3518 • www.tsbrass.com

This Space for Architect/Engineer Approval

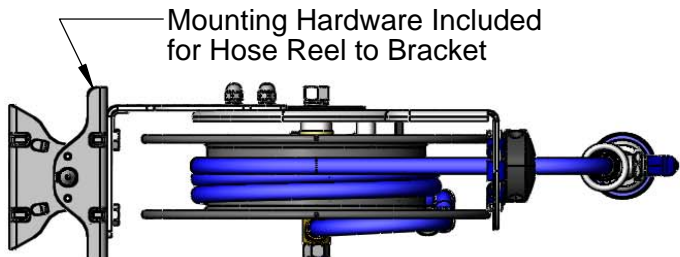
Job Name _____ Date _____

Model Specified _____ Quantity _____

Customer/Wholesaler _____

Contractor _____

Architect/Engineer _____



Mounting Hardware Included for Hose Reel to Bracket

3/8" NPT Female Inlet (Left Side of Reel)

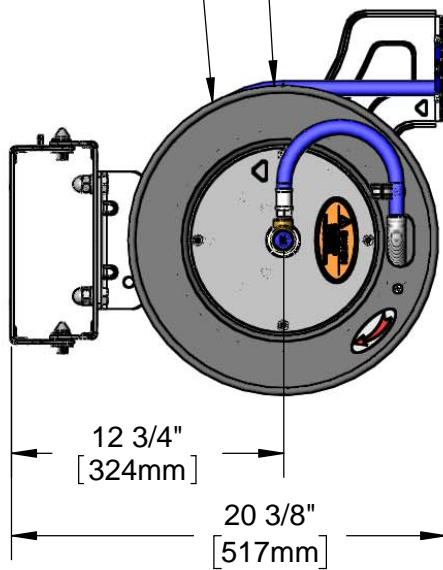
Universal EasyInstall Stainless Steel Wall Mount Swing Bracket w/ 100° of Rotation

Epoxy Coated Open Hose Reel w/ 35' of 3/8" Hose

Ø 14 1/2" [368mm]

HW-2B-36 3/8" NPT x 36" Flexible Water Connector

7 1/8" [181mm]



12 3/4" [324mm]

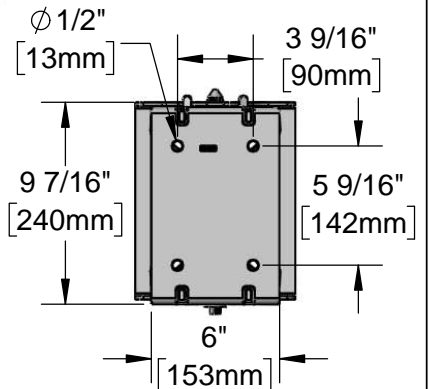
20 3/8" [517mm]

019652-40 3/8" NPT Live Swivel

EB-0107 High Flow Spray Valve (Blue)



Mounting Hole Details



Ø 1/2" [13mm]

3 9/16" [90mm]

9 7/16" [240mm]

5 9/16" [142mm]

6" [153mm]

Product Specifications:

3/8" x 35' Epoxy Coated Open Reel, High Flow Spray Valve & Swivel, 3/8" NPT x 36" Flexible Water Connector & 100 Degree EasyInstall Stainless Steel Swing Bracket w/ Reel-to-Bracket Mounting Hardware

Product Compliance:

NSF 61 Exempt (Non-Potable)
EPA Act 2005 Non-Compliant (PRSV)



T&S BRASS AND BRONZE WORKS, INC.

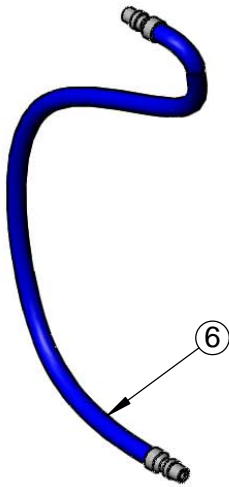
2 Saddleback Cove / P.O. Box 1088
Travelers Rest, SC 29690

Model No.

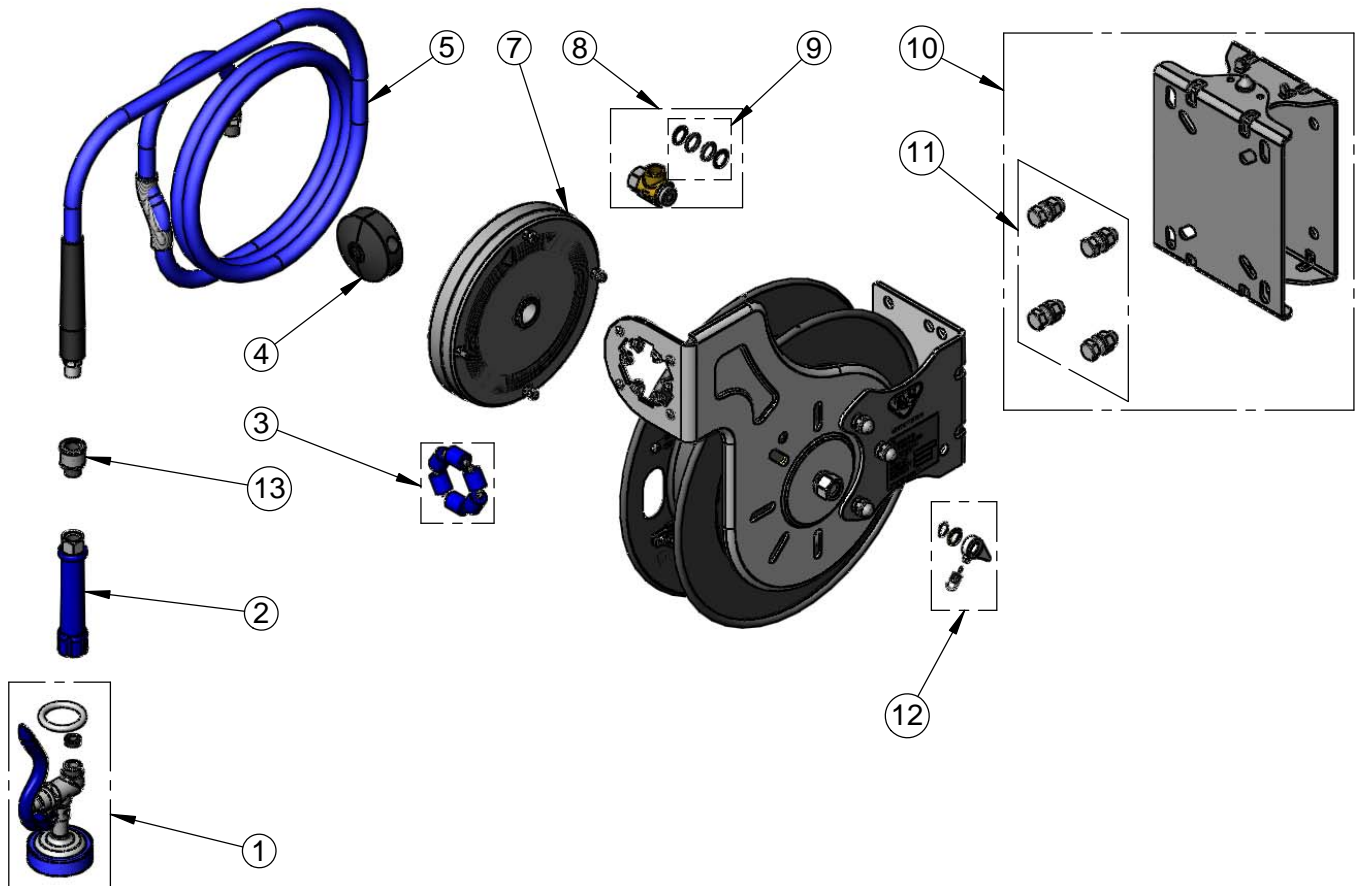
B-7232-01-ESB36

Item No.

Travelers Rest, SC: 800-476-4103 • Simi Valley, CA: 800-423-0150 • Fax: 864-834-3518 • www.tsbrass.com



| ITEM NO. | SALES NO. | DESCRIPTION |
|----------|------------|---|
| 1 | EB-0107 | High Flow Spray Valve (Blue) |
| 2 | 012504-45 | Blue Grip Handle, 3/8" NPT |
| 3 | 014938-45 | Roller Repair Kit |
| 4 | 014949-45 | 3/8" Hose Rubber Stop |
| 5 | 014941-45 | 35' x 3/8" Hose |
| 6 | HW-2B-36 | 3/8" NPT x 36" Flexible Water Hose |
| 7 | 014933-45 | Small Stainless Steel Spring |
| 8 | 014946-45 | 3/8" Swivel Repair Kit |
| 9 | 014948-45 | O-Ring Replacement Kit |
| 10 | G019430-45 | Universal EasyInstall Stainless Steel Swing Bracket |
| 11 | 019191-45K | Hose Reel Bracket Mounting Kit |
| 12 | 014940-45 | Ratchet Repair Kit |
| 13 | 019652-40 | 3/8" NPT Live Swivel |



Product Specifications:

3/8" x 35' Epoxy Coated Open Reel, High Flow Spray Valve & Swivel,
3/8" NPT x 36" Flexible Water Connector & 100 Degree EasyInstall Stainless
Steel Swing Bracket w/ Reel-to-Bracket Mounting Hardware

Product Compliance:

NSF 61 Exempt (Non-Potable)
EPA Act 2005 Non-Compliant (PRSV)