



T&S BRASS AND BRONZE WORKS, INC.

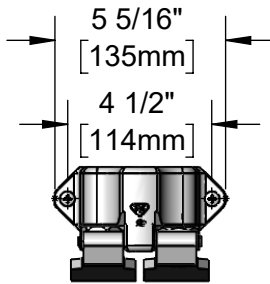
2 Saddleback Cove / P.O. Box 1088
Travelers Rest, SC 29690

Model No.

B-0509-537KVL15

Item No.

Travelers Rest, SC: 800-476-4103 • Simi Valley, CA: 800-423-0150 • Fax: 864-834-3518 • www.tsbrass.com



This Space for Architect/Engineer Approval

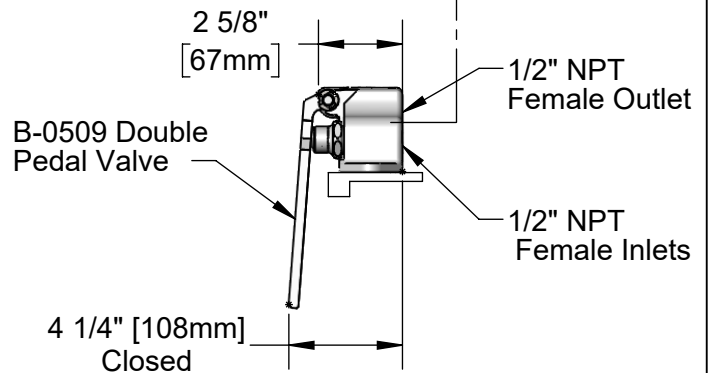
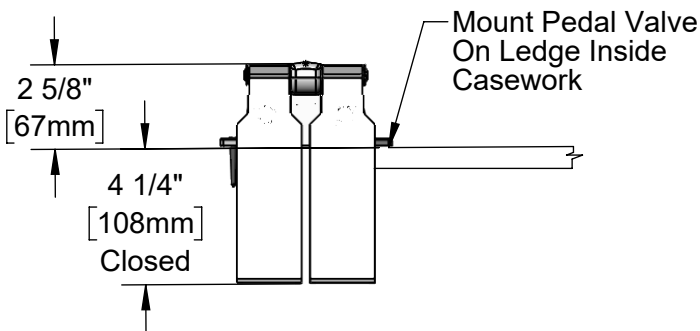
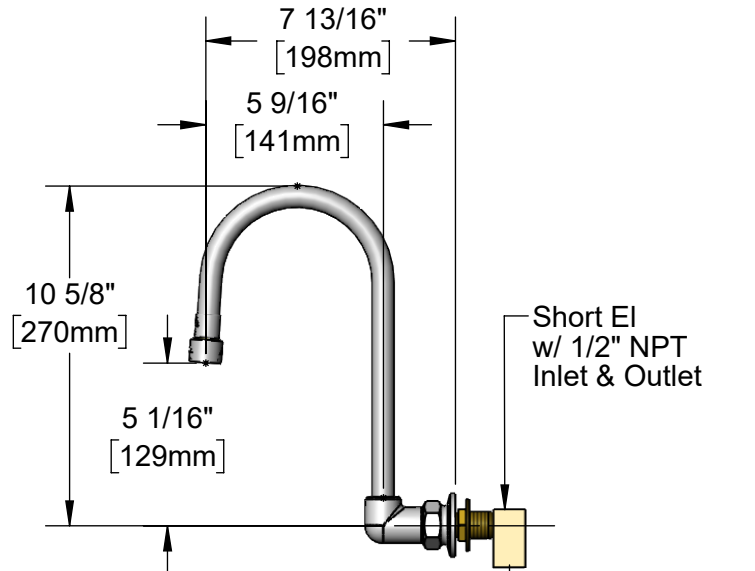
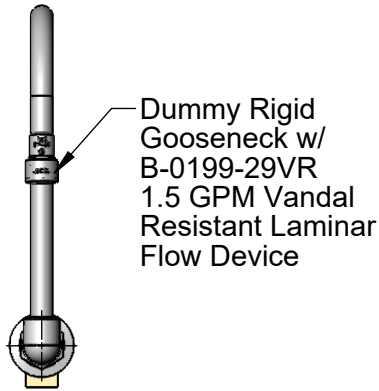
Job Name _____ Date _____

Model Specified _____ Quantity _____

Customer/Wholesaler _____

Contractor _____

Architect/Engineer _____



Product Specifications:
Ledge Mounted Double Pedal Valve w/ Dummy Rigid Gooseneck and 1.5 GPM Vandal Resistant Laminar Flow Device

Product Compliance:
ASME A112.18.1 / CSA B125.1
NSF 61 - Section 9
NSF 372 (Low Lead Content)



T&S BRASS AND BRONZE WORKS, INC.

2 Saddleback Cove / P.O. Box 1088
Travelers Rest, SC 29690

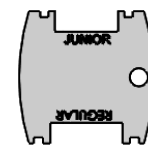
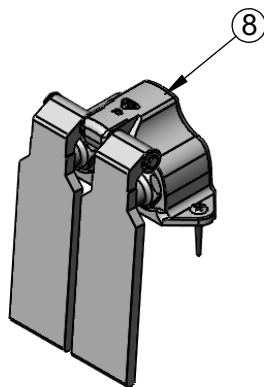
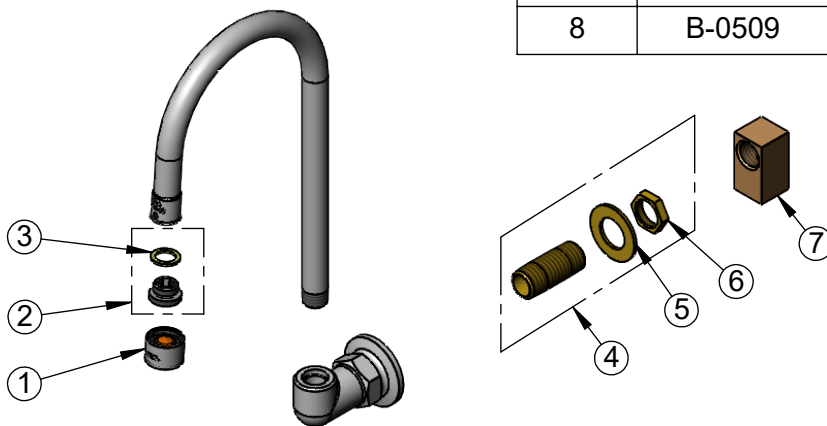
Model No.

B-0509-537KVL15

Item No.

Travelers Rest, SC: 800-476-4103 • Simi Valley, CA: 800-423-0150 • Fax: 864-834-3518 • www.tsbrass.com

ITEM NO.	SALES NO.	DESCRIPTION
1	B-0199-29VR	VR 1.5 GPM Laminar Flow Device, 55/64-27 UN Female w/ Key
2	044A	3/8" to Aerator Adapter
3	001043-45	Washer
4	B-0425	1/2" NPT Supply Nipple Kit
5	000999-45	Brass Lock Washer
6	002954-45	Shank Lock Nut
7	006895-20	Short EI, 1/2 NPT-F x 1/2 NPT-F
8	B-0509	Double Pedal Valve Body



015425-45
Vandal Resistant Key

Product Specifications:

Ledge Mounted Double Pedal Valve w/ Dummy Rigid Gooseneck and 1.5 GPM Vandal Resistant Laminar Flow Device

Product Compliance:

ASME A112.18.1 / CSA B125.1
NSF 61 - Section 9
NSF 372 (Low Lead Content)