



# T&S BRASS AND BRONZE WORKS, INC.

2 Saddleback Cove / P.O. Box 1088  
Travelers Rest, SC 29690

Model No.

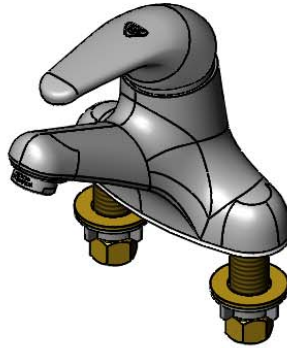
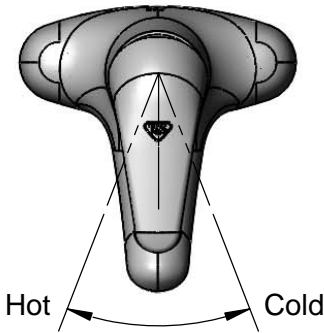
**B-2711-FL**

Item No.

Travelers Rest, SC: 800-476-4103 • Simi Valley, CA: 800-423-0150 • Fax: 864-834-3518 • www.tsbrass.com



**ADA Compliant**



This Space for Architect/Engineer Approval

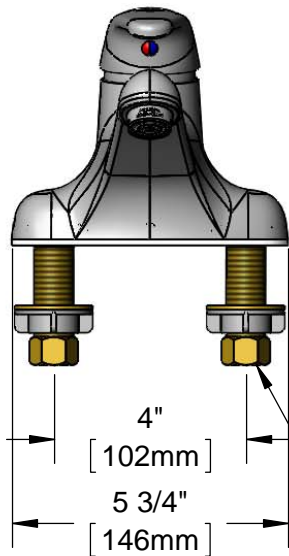
Job Name \_\_\_\_\_ Date \_\_\_\_\_

Model Specified \_\_\_\_\_ Quantity \_\_\_\_\_

Customer/Wholesaler \_\_\_\_\_

Contractor \_\_\_\_\_

Architect/Engineer \_\_\_\_\_



B-0199-04  
2.2 GPM Aerator

4 13/16"  
[122mm]  
"OFF"

2 5/16"  
[58mm]

5 15/16"  
[150mm]  
"Full ON"

Mounting  
Surface

1 3/8"  
[35mm]  
Maximum  
Thickness

1/2" NPSM Male Inlets  
w/ Coupling Nuts

4"  
[102mm]

5 3/4"  
[146mm]

4 3/8"  
[111mm]

2 5/16"  
[59mm]

(2) 3/8" Compression X 1/2" NPSM  
18" [457mm] Flexible Stainless Steel  
Supply Hoses (Included)



Rough-In Requirement:  
(2)  $\phi$ 1" [25mm] Mounting Holes

### Product Specifications:

4" Deck Mount Single Lever Faucet, Temperature Limit Stop, Ceramic Cartridge, 2.2 GPM Aerator, 1/2" NPSM Male Inlets & 18" Flexible Supply Hoses

### Product Compliance:

ASME A112.18.1 / CSA B125.1  
NSF 61 - Section 9  
NSF 372 (Low Lead Content)  
ANSI A117.1 (ADA)



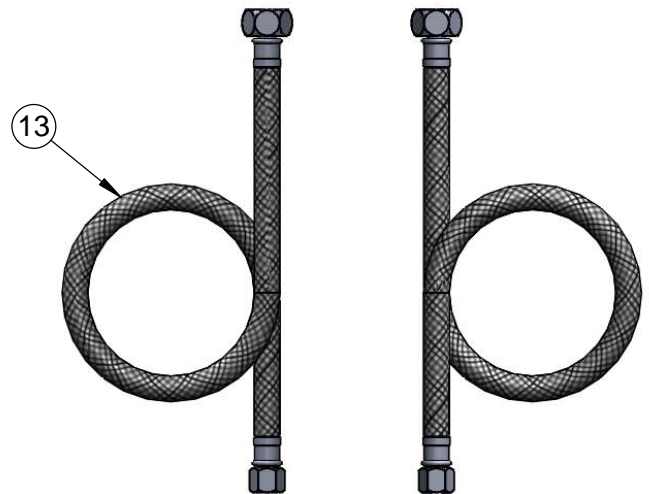
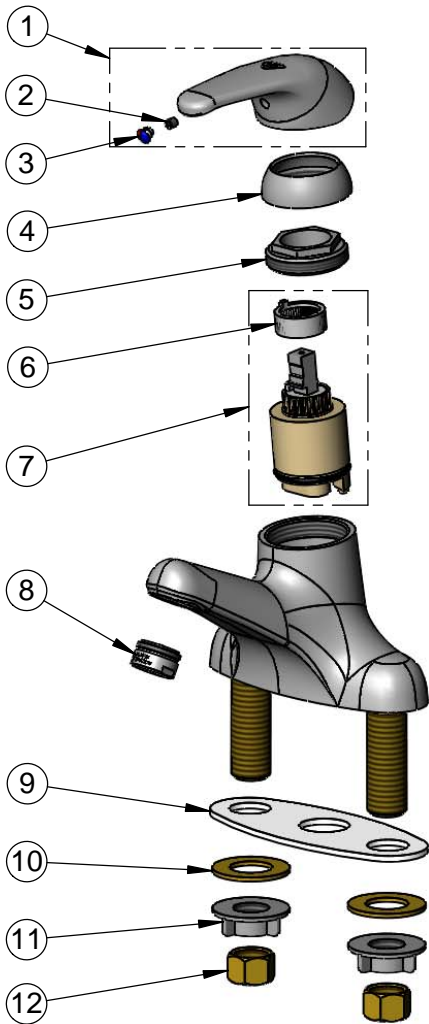
**T&S BRASS AND BRONZE WORKS, INC.**  
 2 Saddleback Cove / P.O. Box 1088  
 Travelers Rest, SC 29690

Model No.  
**B-2711-FL**

Item No.

Travelers Rest, SC: 800-476-4103 • Simi Valley, CA: 800-423-0150 • Fax: 864-834-3518 • www.tsbrass.com

ITEM NO.	SALES NO.	DESCRIPTION
1	013113-45	Single Lever Short Handle
2	016675-45	Set Screw
3	014173-45	Index, Temperature
4	016661-45	Trim Ring
5	016663-45	Locking Nut
6	015400-45	Temperature Limit Stop
7	013111-45	Single Lever Ceramic Cartridge
8	B-0199-04	2.2 GPM Aerator, 15/16-27 Male
9	014167-45	Deck Gasket
10	000999-45	Brass Lock Washer
11	016673-45	Shank Nut
12	000958-20	Coupling Nut
13	5EF-0005	Supply Hose (1), 9/16-24 Female x 1/2" NPSM



**Product Specifications:**

4" Deck Mount Single Lever Faucet, Temperature Limit Stop, Ceramic Cartridge, 2.2 GPM Aerator, 1/2" NPSM Male Inlets & 18" Flexible Supply Hoses

**Product Compliance:**

ASME A112.18.1 / CSA B125.1  
 NSF 61 - Section 9  
 NSF 372 (Low Lead Content)  
 ANSI A117.1 (ADA)