



T&S BRASS AND BRONZE WORKS, INC.

2 Saddleback Cove / P.O. Box 1088
Travelers Rest, SC 29690

Model No.

B-0113-CR-V-BC

Item No.

Travelers Rest, SC: 800-476-4103 • Simi Valley, CA: 800-423-0150 • Fax: 864-834-3518 • www.tsbrass.com

This Space for Architect/Engineer Approval

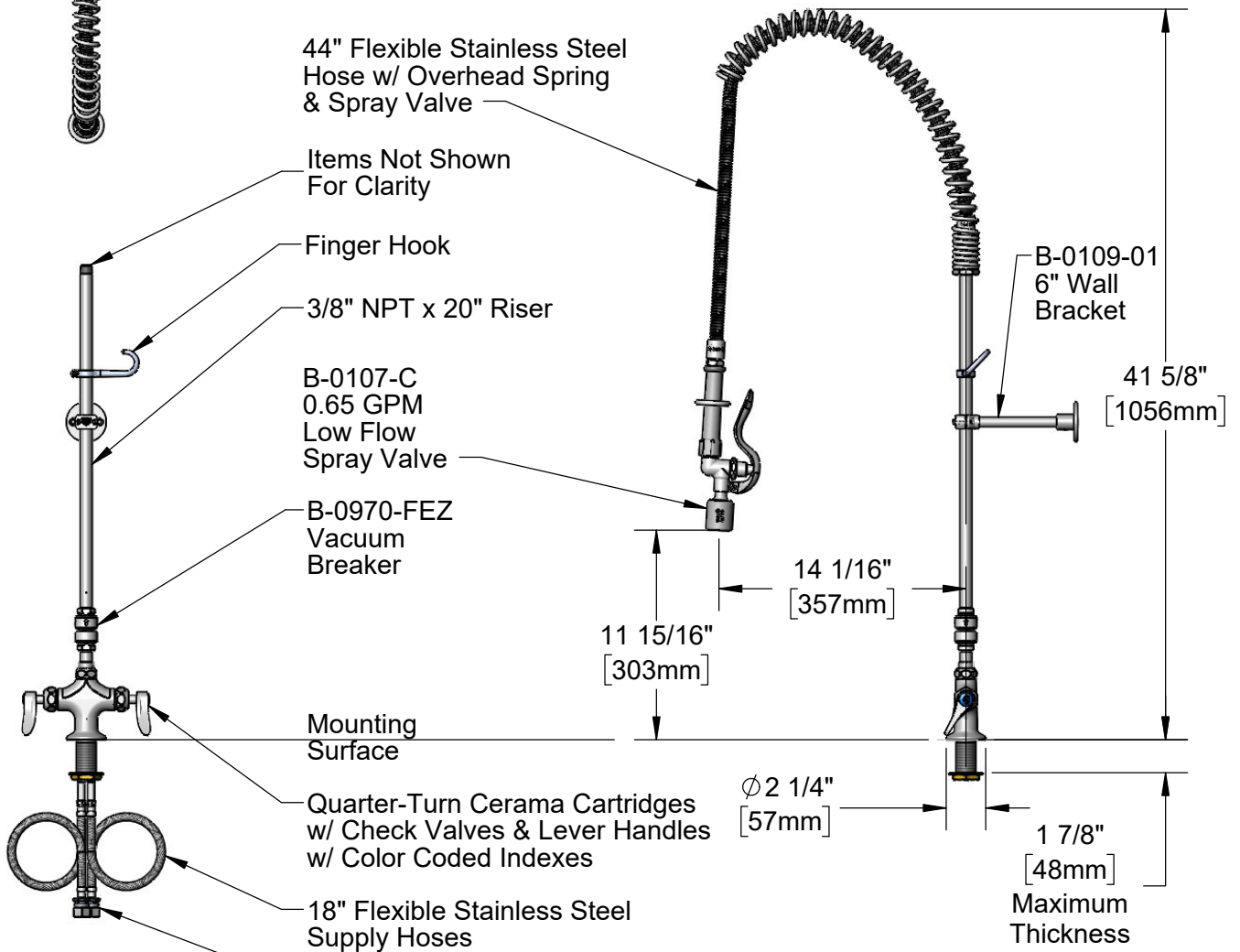
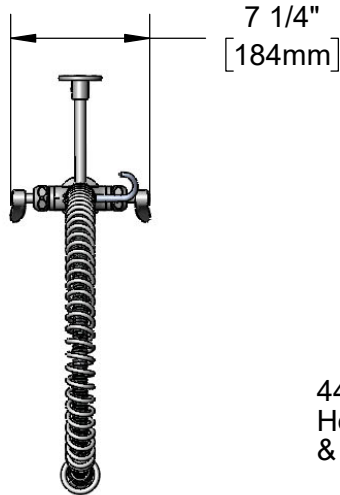
Job Name _____ Date _____

Model Specified _____ Quantity _____

Customer/Wholesaler _____

Contractor _____

Architect/Engineer _____



44" Flexible Stainless Steel
Hose w/ Overhead Spring
& Spray Valve

Items Not Shown
For Clarity

Finger Hook

3/8" NPT x 20" Riser

B-0107-C
0.65 GPM
Low Flow
Spray Valve

B-0970-FEZ
Vacuum
Breaker

Mounting
Surface

Quarter-Turn Cerama Cartridges
w/ Check Valves & Lever Handles
w/ Color Coded Indexes

18" Flexible Stainless Steel
Supply Hoses

Compression Fittings for 5/8" O.D. Copper
Tubing (Remove Compression Nut
for 1/2" NPSM Male)

B-0109-01
6" Wall
Bracket

41 5/8"
[1056mm]

14 1/16"
[357mm]

11 15/16"
[303mm]

Ø 2 1/4"
[57mm]

1 7/8"
[48mm]

Maximum
Thickness

Rough-In Requirement:
Ø 1 1/2" [Ø 38mm] Mounting Hole

Product Specifications:

EasyInstall Pre-Rinse Unit: Single Hole Deck Mount Faucet, Quarter-Turn Cerama Cartridges w/ Check Valves, Lever Handles, 20" Riser, 44" Flexible Stainless Steel Hose, 0.65 GPM Low Flow Spray Valve, Flexible Supply Hoses, Vacuum Breaker and 6" Wall Bracket

Product Compliance:

ASME A112.18.1 / CSA B125.1
NSF 61 - Section 9
NSF 372 (Low Lead Content)
CSA B64.8 (VB)
2019 DOE PRSV - Class I



T&S BRASS AND BRONZE WORKS, INC.

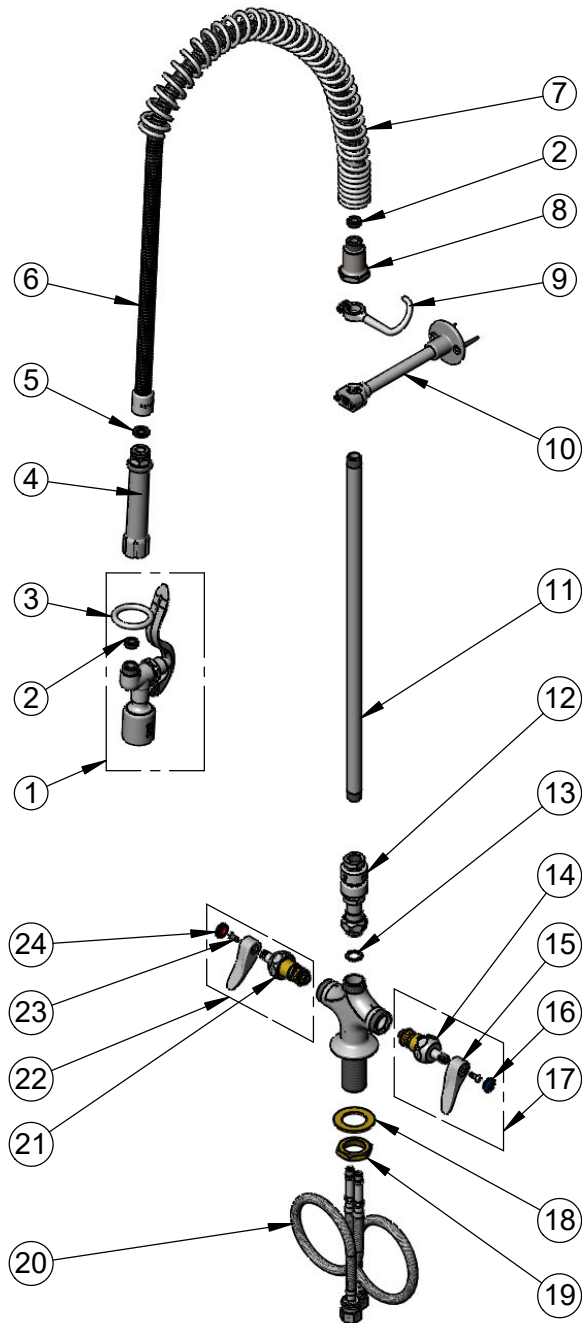
2 Saddleback Cove / P.O. Box 1088
Travelers Rest, SC 29690

Model No.

B-0113-CR-V-BC

Item No.

Travelers Rest, SC: 800-476-4103 • Simi Valley, CA: 800-423-0150 • Fax: 864-834-3518 • www.tsbrass.com



ITEM NO.	SALES NO.	DESCRIPTION
1	B-0107-C	0.65 GPM Low Flow Spray Valve
2	010476-45	#27 Washer
3	000907-45	Spray Valve Hold Down Ring
4	002987-40	Grey Handle Grip
5	001014-45	Washer, B-0100 Hose Barrel
6	B-0044-H2A	44" Flexible Stainless Steel Hose, Less Handle
7	000888-45	EasyInstall Overhead Spring
8	000821-40	Spring Body
9	004R	Finger Hook
10	B-0109-01	6" Wall Bracket
11	000370-40	Nipple, 3/8" NPT x 20"
12	B-0970-FEZ	EasyInstall 3/4" NPT Vacuum Breaker
13	014200-45	Star Washer, Anti-Rotation
14	012395-25NS	Quarter-Turn Cerama Cartridge w/ Check Valve, LTC
15	001638-45NS	Lever Handle (New Style)
16	018506-19NS	Blue Button Index, Press-in
17	012447-25NS	Quarter-Turn Cerama Cartridge w/ Check Valve, Handle, Blue Index & Screw, LTC
18	002290-45	Lock Washer
19	000965-45	Lock Nut
20	012534-45	18" Flexible Supply Hose (2)
21	012394-25NS	Quarter-Turn Cerama Cartridge w/ Check Valve, RTC
22	012446-25NS	Quarter-Turn Cerama Cartridge w/ Check Valve, Handle, Red Index & Screw, RTC
23	000925-45	Lab Handle Screw
24	001193-19NS	Red Button Index, Press-in

Product Specifications:

EasyInstall Pre-Rinse Unit: Single Hole Deck Mount Faucet, Quarter-Turn Cerama Cartridges w/ Check Valves, Lever Handles, 20" Riser, 44" Flexible Stainless Steel Hose, 0.65 GPM Low Flow Spray Valve, Flexible Supply Hoses, Vacuum Breaker and 6" Wall Bracket

Product Compliance:

ASME A112.18.1 / CSA B125.1
NSF 61 - Section 9
NSF 372 (Low Lead Content)
CSA B64.8 (VB)
2019 DOE PRSV - Class I