



**ADA Compliant**

*This Space for Architect/Engineer Approval*

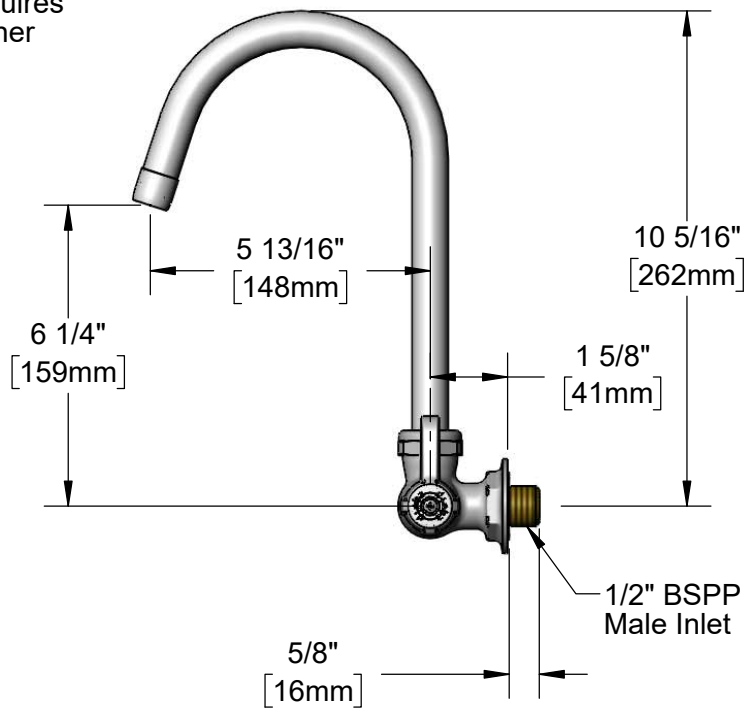
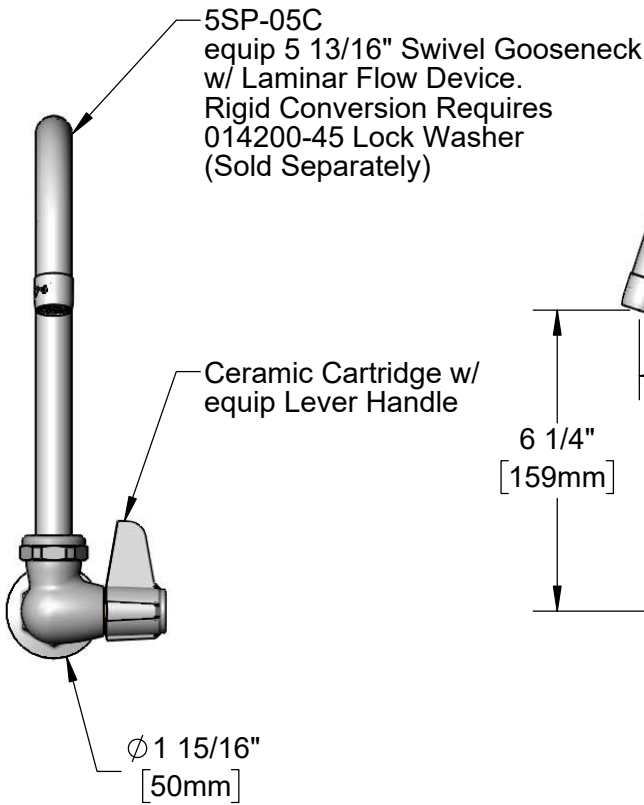
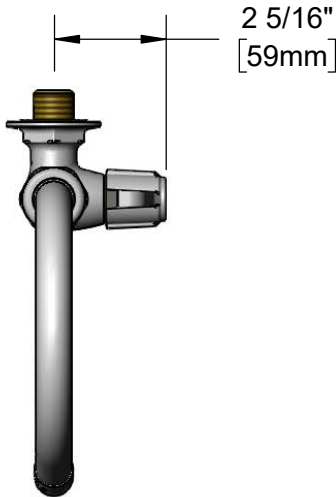
Job Name \_\_\_\_\_ Date \_\_\_\_\_

Model Specified \_\_\_\_\_ Quantity \_\_\_\_\_

Customer/Wholesaler \_\_\_\_\_

Contractor \_\_\_\_\_

Architect/Engineer \_\_\_\_\_



Model Number  
**5F-1WLB05C**

Product Specifications:  
**Single Supply Wall Mount Faucet w/ Ceramic Cartridge, Lever Handle, 5 13/16 inch Swivel Gooseneck & 1/2 inch BSPP Male Inlet**

Product Compliance:  
ASME A112.18.1 / CSA B125.1  
NSF 61 - Section 9  
NSF 372 (Low Lead Content)  
ANSI A117.1 (ADA)

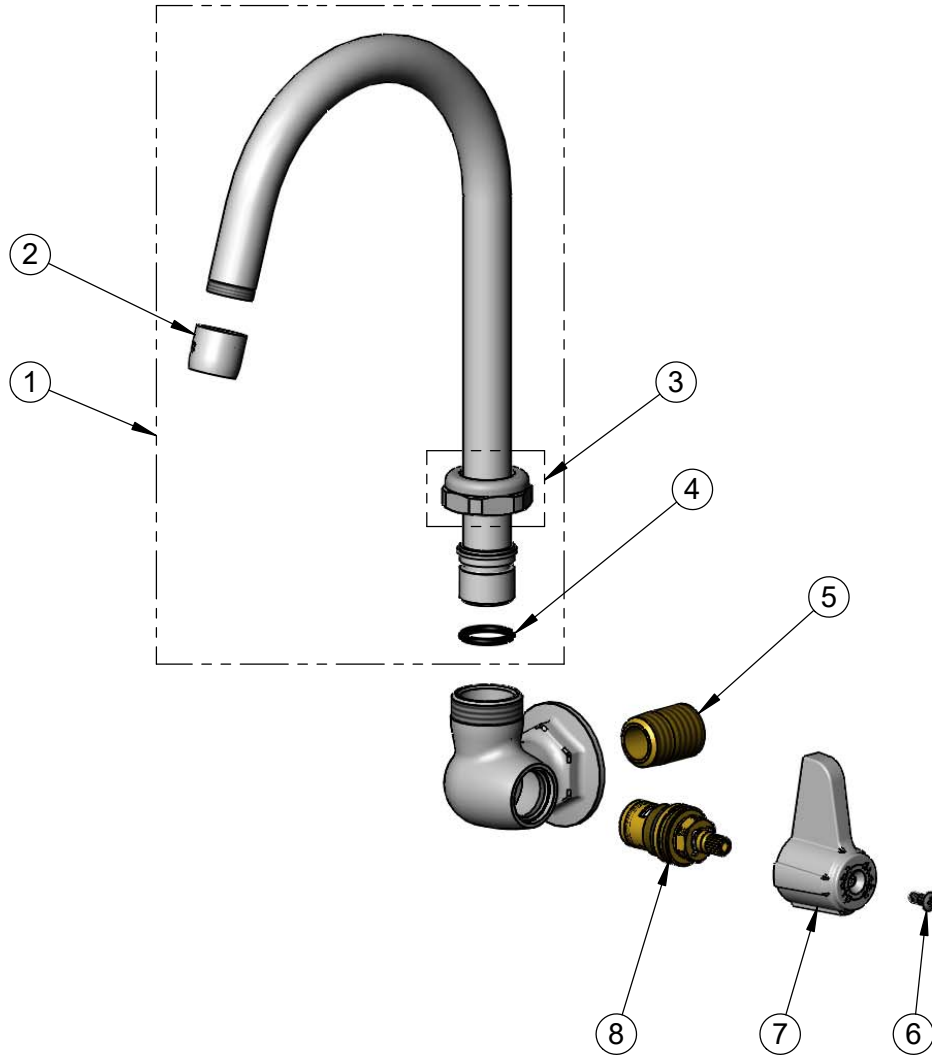
equip  
Foodservice  
Accessories



by 

2 Saddleback Cove, P.O. Box 1088  
Travelers Rest, South Carolina 29690  
Phone: 800.891.4808 Fax: 800.868.0084  
equip.tsbrass.com

ITEM NO.	SALES NO.	DESCRIPTION
1	5SP-05C	5 13/16" equip Swivel Gooseneck
2	014250-45	Laminar Full Flow Outlet Device
3	013839-25	equip Swivel Nut
4	013848-45	Swivel O-Ring (10)
5	019047-45	Supply Nipple, 1/2" NPT x 1/2" BSPP
6	013849-45	Screw, 4mm Metric (10)
7	5-HDL-L	equip Lever Handle
8	013787-45	equip Ceramic Cartridge, RTC



Model Number  
**5F-1WLB05C**

Product Compliance:  
ASME A112.18.1 / CSA B125.1  
NSF 61 - Section 9  
NSF 372 (Low Lead Content)  
ANSI A117.1 (ADA)

Product Specifications:  
**Single Supply Wall Mount Faucet w/ Ceramic Cartridge,  
Lever Handle, 5 13/16" Swivel Gooseneck & 1/2" BSPP Male Inlet**

equip  
Foodservice  
Accessories



2 Saddleback Cove, P.O. Box 1088  
Travelers Rest, South Carolina 29690  
Phone: 800.891.4808 Fax: 800.868.0084  
equip.tsbrass.com