



Architect/Engineering Specifications:

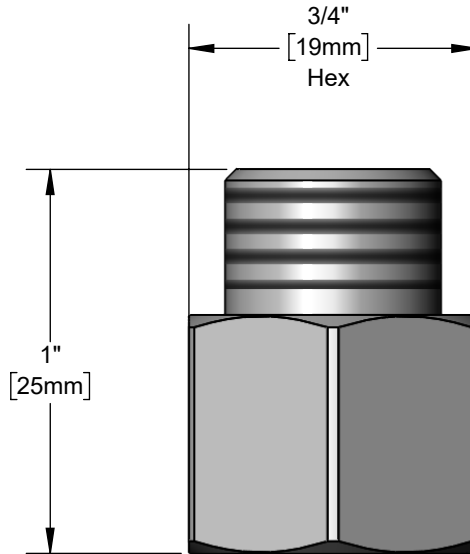
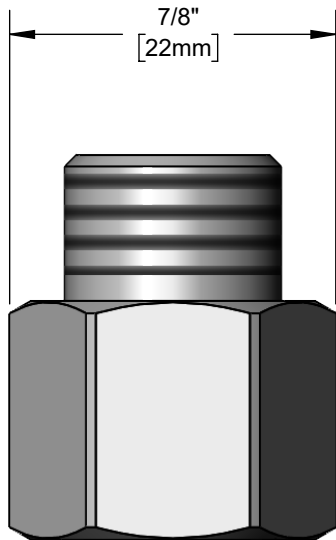
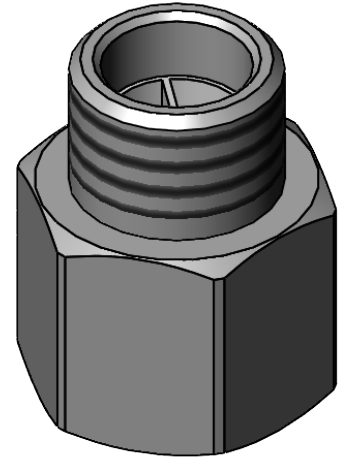
3/8" compression check valve assembly (female x male) with 10mm check valve and filter washer. Certified to NSF 61- Section 9 and NSF 372.

Job Name _____

Model Specified _____ Quantity _____

Variations Specified _____

Date _____



Features & Benefits:

- 3/8" compression check valve assembly (female x male)
- 10mm check valve
- Filter washer
- Material: Chrome plated brass

Product Compliance:

- NSF 61 - Section 9
- NSF 372 (Low Lead Content)



Warranty: One Year (Limited)



Performance Data:

- N/A

