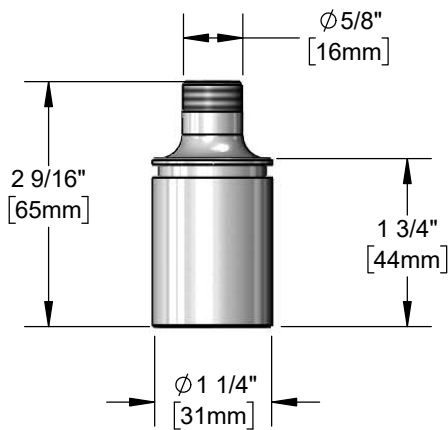




Architect/Engineering Specifications:

Low flow pre-rinse spray valve nozzle. Certified to NSF 61-Section 9 and NSF 372.

Job Name _____
 Model Specified _____ Quantity _____
 Variations Specified _____
 Date _____



Features & Benefits:

- Low flow pre-rinse spray valve nozzle
- 5/8-27 UN male thread
- 1/4" NPT female thread
- Material: Rough chrome polished brass

Product Compliance:

- NSF 61 - Section 9
- NSF 372 (Low Lead Content)



Warranty: One Year (Limited)

Performance Data:

- N/A

