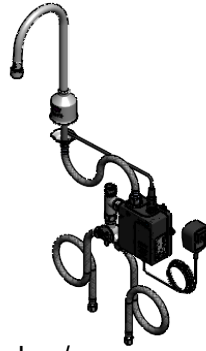




ADA Compliant

Ø 2 1/4" [57mm] Base



This Space for Architect/Engineer Approval

Job Name _____ Date _____

Model Specified _____ Quantity _____

Customer/Wholesaler _____

Contractor _____

Architect/Engineer _____

Rigid Gooseneck w/ B-0199-06 2.2 GPM [8.3 LPM] Vandal Resistant Aerator & Key

24" [610mm] Sensor Cable

1/4" NPSM Female x 1/2" NPSM Female x 18" [457mm] Long Flexible Stainless Steel Hose

4" x 4 3/8" x 2 3/16" Deep [102mm x 111mm x 56mm] Control Module Box (Black) w/ Water Resistant Connections. AC or DC Operated w/ (4) AA Batteries

Mounting Surface

5 5/8" [143mm]

7 1/16" [179mm]

12 9/16" [319mm]

1 7/8" [48mm] Maximum Thickness

100-240 VAC Adapter 72" [1830mm] Power Cord (Remove Rubber Plug in Module to Connect)

(2) 3/8" Compression x 1/2" NPSM 18" [457mm] Flexible Stainless Steel Supply Hose

Removable Strainer

Mechanical Mixing Valve w/ Check Valves

Rough-In Requirement: Ø 1" [25mm] Mounting Hole

Model Number

5EF-1D-DG

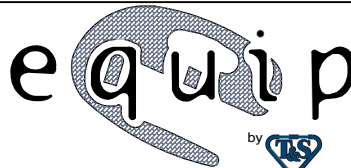
Product Specifications:

Electronic Faucet: Deck Mount, Rigid Gooseneck, 2.2 GPM VR Aerator, AC-DC Control Module, Temperature Control Mixing Valve, Check Valves & (2) 18" Flexible Supply Hoses

Product Compliance:

ASME A112.18.1 / CSA B125.1
NSF 61 - Section 9
NSF 372 (Low Lead Content)
ANSI A117.1 (ADA)
UL 1951

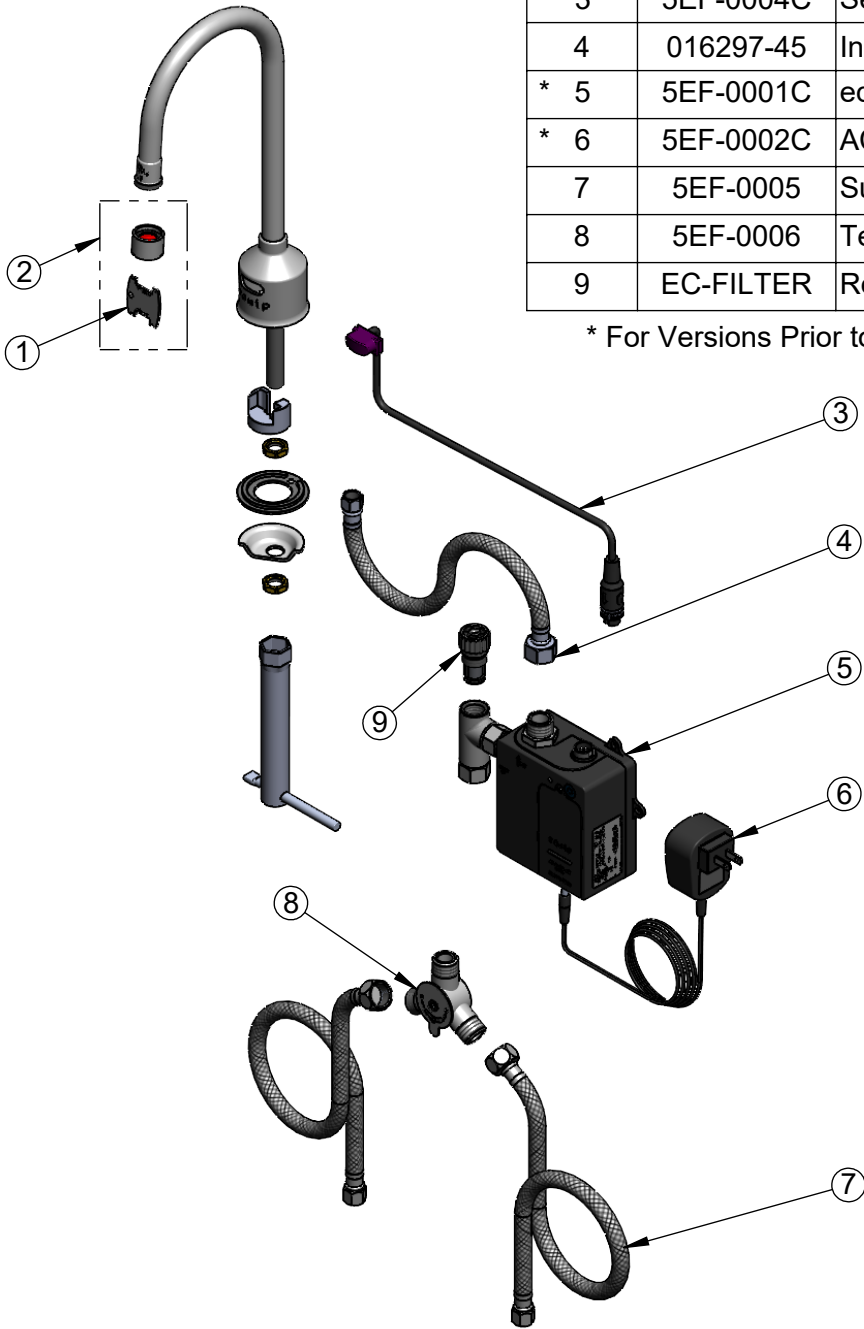
equip
Foodservice
Accessories



2 Saddleback Cove, P.O. Box 1088
Travelers Rest, South Carolina 29690
Phone: 800.891.4808 Fax: 800.868.0084
equip.tsbrass.com

ITEM NO.	SALES NO.	DESCRIPTION
1	015425-45	Vandal Resistant Key
2	B-0199-06	VR 2.2 GPM Aerator, 55/64-27 Female w/ Key
* 3	5EF-0004C	Sensor Cable w/ Curved Lens
4	016297-45	Inlet Hose, Faucet, 1/2" NPSM-F x 1/4" NPSM-F
* 5	5EF-0001C	equip Control Module (Black)
* 6	5EF-0002C	AC Adapter - US Plug
7	5EF-0005	Supply Hose, 9/16-24 Female x 1/2" NPSM
8	5EF-0006	Temperature Mixing Valve
9	EC-FILTER	Replacement Filter

* For Versions Prior to 2024, Consult with Customer Service



Model Number

5EF-1D-DG

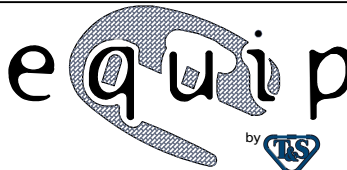
Product Specifications:

Electronic Faucet: Deck Mount, Rigid Gooseneck, 2.2 GPM VR Aerator, AC-DC Control Module, Temperature Control Mixing Valve, Check Valves & (2) 18" Flexible Supply Hoses

Product Compliance:

ASME A112.18.1 / CSA B125.1
NSF 61 - Section 9
NSF 372 (Low Lead Content)
ANSI A117.1 (ADA)
UL 1951

equip
Foodservice
Accessories



2 Saddleback Cove, P.O. Box 1088
Travelers Rest, South Carolina 29690
Phone: 800.891.4808 Fax: 800.868.0084
equip.tsbrass.com