



**Architect/Engineering Specifications:**

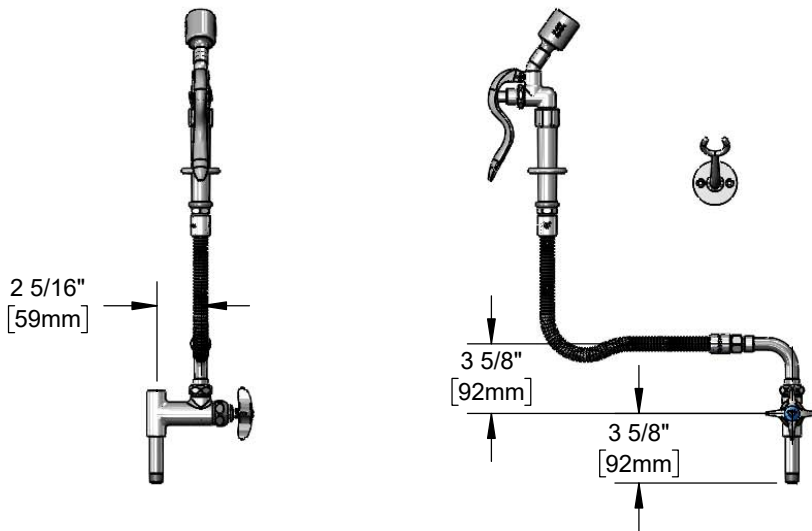
Washdown hose unit with polished chrome plated brass body, compression cartridge with spring check, 4-arm handle, 68" flexible stainless steel hose with heat resistant handle, 90° swivel adapter arm, 0.65 GPM low flow angled spray valve and hanger hook. Certified to ASME A112.18.1/CSA B125.1, NSF 61-Section 9 and NSF 372. 2019 DOE PRSV - Class I compliant.

Job Name \_\_\_\_\_

Model Specified \_\_\_\_\_ Quantity \_\_\_\_\_

Variations Specified \_\_\_\_\_

Date \_\_\_\_\_



**Features & Benefits:**

- Washdown hose unit w/ polished chrome plated brass body
- 68" flexible stainless steel hose w/ heat resistant grey handle and hold down ring
- 90° swivel adapter arm
- 0.65 GPM low flow angled spray valve
- Quarter-turn Eterna compression cartridge w/ spring check
- 4-arm handle w/ color coded index
- Hose hanger hook
- 3/8" NPT female outlet
- 3/8" NPT male inlet
- Material: Polished chrome plated brass body, swivel arm & spray valve body, stainless steel hose and chrome plated metal handle

**Product Compliance:**

- ASME A112.18.1 / CSA B125.1
- NSF 61 - Section 9
- NSF 372 (Low Lead Content)
- 2019 DOE PRSV - Class I



**Warranty:** One Year (Limited)

**Performance Data:**

- Pressure: 20 - 125 psi [1.38 - 8.62 bar]
- Temperature: 40°F - 140°F [4.44°C - 60°C]
- Flow Rate: 0.65 GPM [2.46 L/min] @ 60 psi [4.14 bar]

**Optional Handles**

- 4" Wrist Action
- Lever
- 4-Arm (Standard)

**Optional Cartridges With Checks**

- Quarter-Turn Cerama w/ Check Valve
- Quarter-Turn Eterna w/ Spring Check (Standard)

**Optional Pre-Rinse Spray Valves**

- B-0107 (1.15 GPM)
- B-0107-C (0.65 GPM)
- B-0107-J (1.07 GPM)
- B-0108 (1.07 GPM)
- B-0108-C (0.65 GPM)

