



# T&S BRASS AND BRONZE WORKS, INC.

2 Saddleback Cove / P.O. Box 1088  
Travelers Rest, SC 29690

Model No.

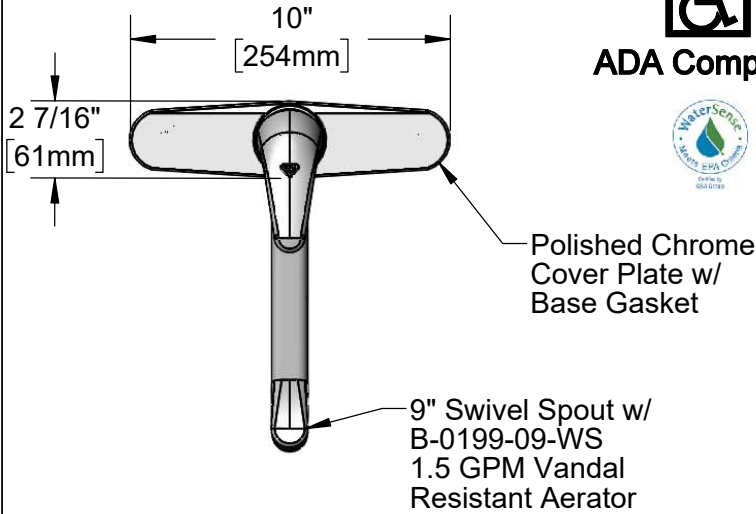
**B-2731-WS-VR**

Item No.

Travelers Rest, SC: 800-476-4103 • Simi Valley, CA: 800-423-0150 • Fax: 864-834-3518 • www.tsbrass.com



**ADA Compliant**



This Space for Architect/Engineer Approval

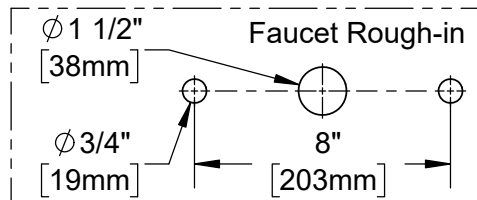
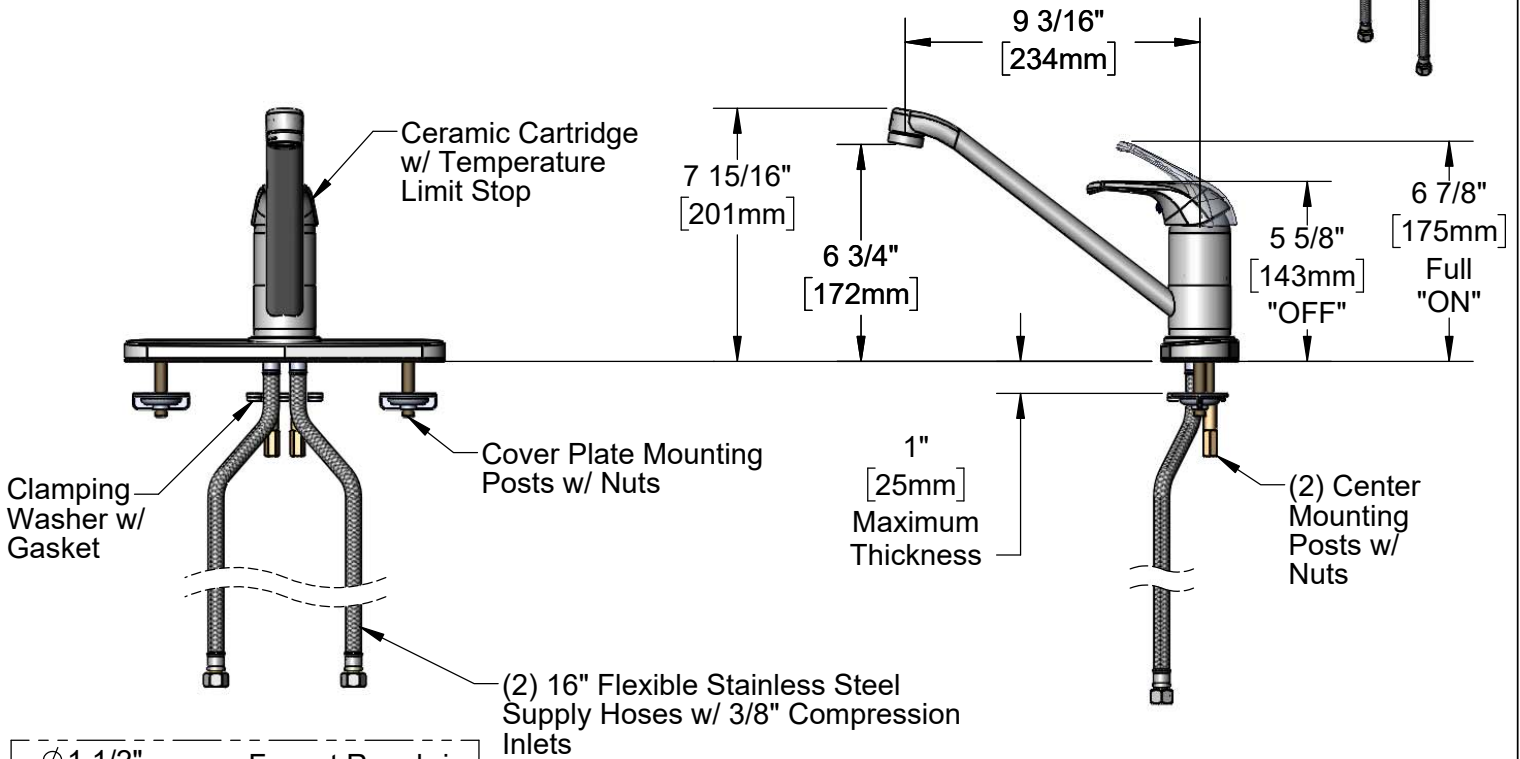
Job Name \_\_\_\_\_ Date \_\_\_\_\_

Model Specified \_\_\_\_\_ Quantity \_\_\_\_\_

Customer/Wholesaler \_\_\_\_\_

Contractor \_\_\_\_\_

Architect/Engineer \_\_\_\_\_



### Product Specifications:

Single Lever Deck Mount Faucet, Ceramic Cartridge, Temperature Limit Stop, 9" Swivel Spout, 1.5 GPM VR Aerator, 10" Deckplate & (2) 16" Flexible Stainless Steel Supply Hoses

### Product Compliance:

ASME A112.18.1 / CSA B125.1  
NSF 61 - Section 9  
NSF 372 (Low Lead Content)  
ANSI A117.1 (ADA)  
EPA WaterSense



# T&S BRASS AND BRONZE WORKS, INC.

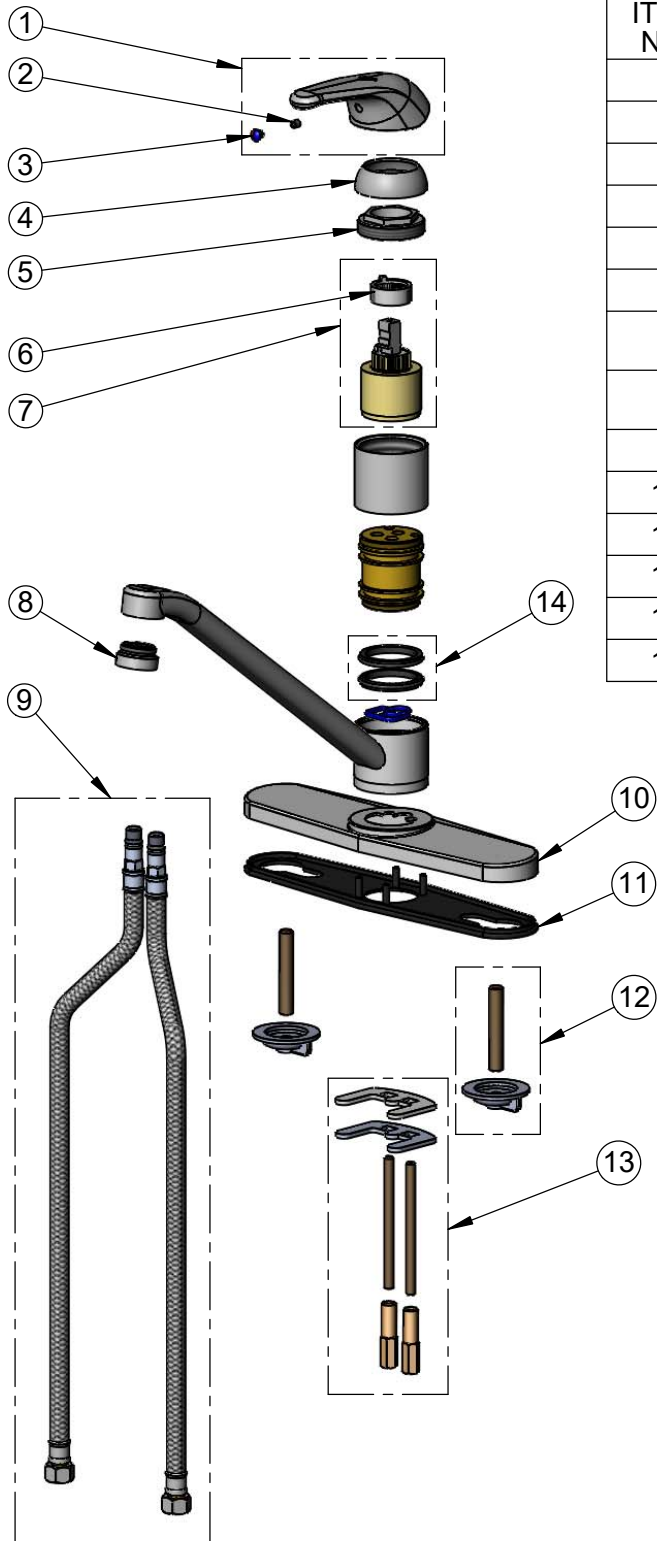
2 Saddleback Cove / P.O. Box 1088  
Travelers Rest, SC 29690

Model No.

**B-2731-WS-VR**

Item No.

Travelers Rest, SC: 800-476-4103 • Simi Valley, CA: 800-423-0150 • Fax: 864-834-3518 • www.tsbrass.com



ITEM NO.	SALES NO.	DESCRIPTION
1	013113-45	Single Lever Short Handle
2	016675-45	Set Screw
3	014173-45	Index, Temperature
4	016661-45	Trim Ring
5	016663-45	Locking Nut
6	015400-45	Temperature Limit Stop
7	013080-45	Ceramic Cartridge w/ Temperature Limit Stop
8	B-0199-09-WS	VR 1.5 GPM Aerator, 15/16-27 UN Male w/ Key
9	016879-45	16" Flexible Supply Hose (2)
10	014161-45	Deck Plate, B-2730 & B-2731
11	014160-45	Deck Plate Gasket, B-2730 & B-2731
12	014162-45	Mounting Post & Nut Kit (2)
13	014163-45	Center Mounting Kit
14	017150-45K	Base Seal (2)



015425-45  
Vandal Resistant Key

**Product Specifications:**

Single Lever Deck Mount Faucet, Ceramic Cartridge, Temperature Limit Stop, 9" Swivel Spout, 1.5 GPM VR Aerator, 10" Deckplate & (2) 16" Flexible Stainless Steel Supply Hoses

**Product Compliance:**

ASME A112.18.1 / CSA B125.1  
NSF 61 - Section 9  
NSF 372 (Low Lead Content)  
ANSI A117.1 (ADA)  
EPA WaterSense