



T&S BRASS AND BRONZE WORKS, INC.

2 Saddleback Cove / P.O. Box 1088
Travelers Rest, SC 29690

Model No.

020862-45

Item No.

Travelers Rest, SC: 800-476-4103 • Simi Valley, CA: 800-423-0150 • Fax: 864-834-3518 • www.tsbrass.com

This Space for Architect/Engineer Approval

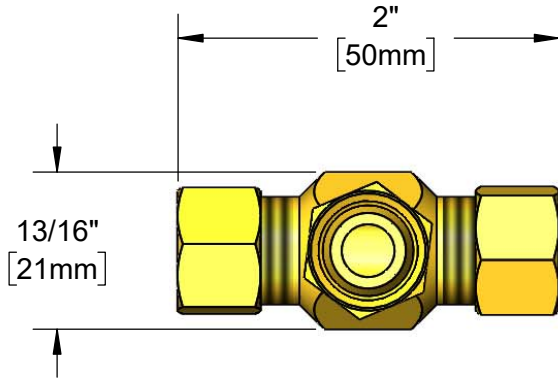
Job Name _____ Date _____

Model Specified _____ Quantity _____

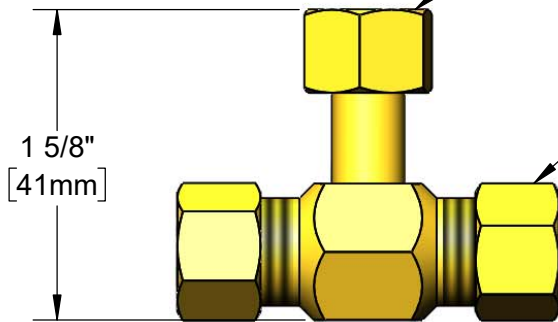
Customer/Wholesaler _____

Contractor _____

Architect/Engineer _____



Flare Fitting and Lock Nut to Connect to 9/16-24 UNEF Male Thread on Cold Side of TMV



3/8 Compression Fittings w/ Ferrules and Lock Nuts. Remove Lock Nuts and Ferrules for 9/16-24 UNEF Male Thread Connection. (2 Places)

Product Specifications:
3/8" Compression Bypass Tee

Product Compliance:
NSF 61 - Section 9
NSF 372 (Low Lead Content)