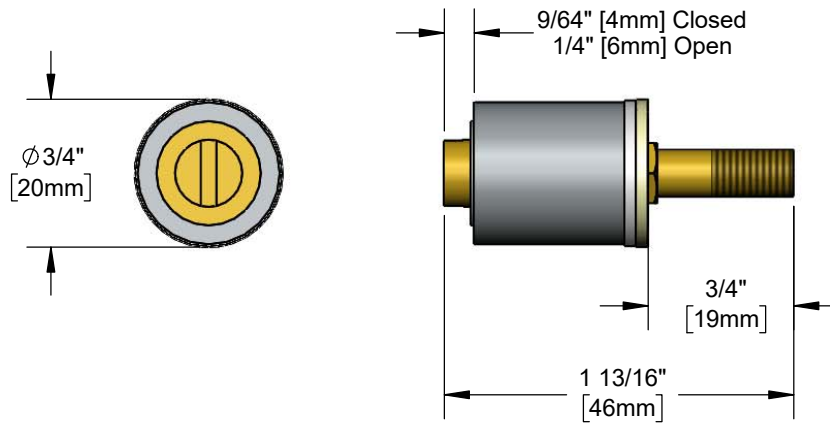
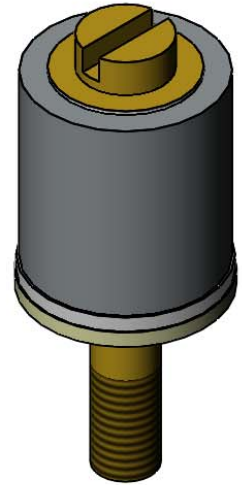




Architect/Engineering Specifications:

Chrome plated metal diverter valve piston with 1/4-28 UN male thread. Certified to ASME A112.18.1 / CSA B125.1, NSF 61-Section 9 & NSF 372.

Job Name \_\_\_\_\_  
 Model Specified \_\_\_\_\_ Quantity \_\_\_\_\_  
 Variations Specified \_\_\_\_\_  
 Date \_\_\_\_\_



Features & Benefits:

- Chrome plated metal diverter valve piston
- 1/4-28 UN male thread
- Washer included
- Material: Chrome plated metal and brass components

Product Compliance:

- ASME A112.18.1 / CSA B125.1
- NSF 61 - Section 9
- NSF 372 (Low Lead Content)



Warranty: One Year (Limited)

Performance Data:

- N/A

