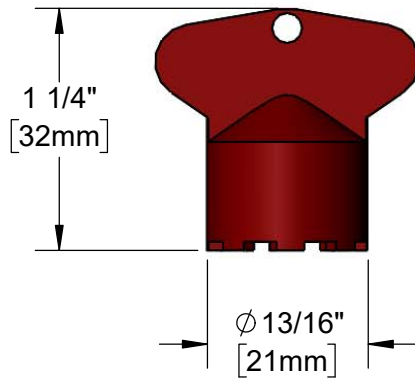
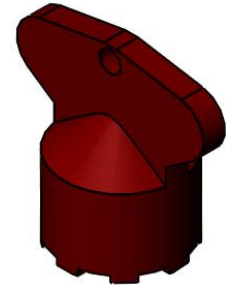




**Architect/Engineering Specifications:**

Vandal resistant aerator key for Cache Junior size aerators with M21.5 x 1 male threads

Job Name \_\_\_\_\_  
 Model Specified \_\_\_\_\_ Quantity \_\_\_\_\_  
 Variations Specified \_\_\_\_\_  
 Date \_\_\_\_\_



**Features & Benefits:**

- Vandal resistant aerator key
- For use with Cache Junior size aerators w/ M21.5 x 1 male threads

**Product Compliance:**

- N/A

**Warranty:** One Year (Limited)

