



Architect/Engineering Specifications:

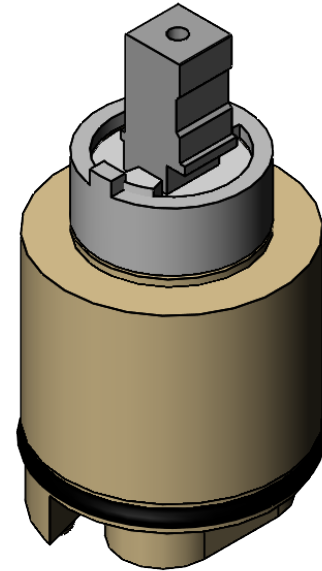
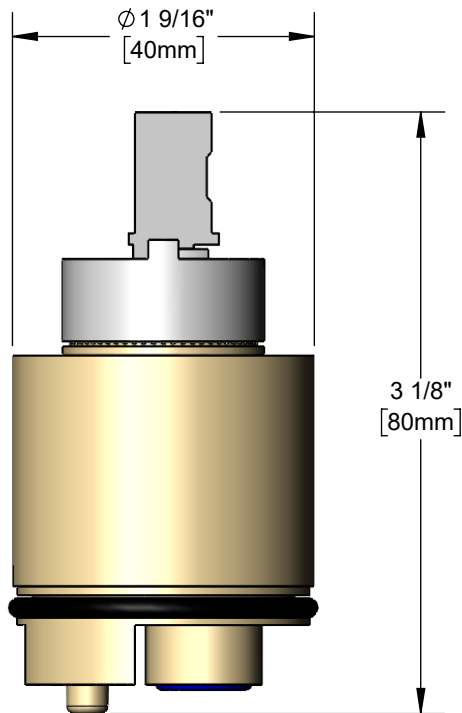
B-2710 and B-2711 single lever faucet metal stem cartridge. Certified to ASME A112.18.1/CSA B125.1, NSF 61-Section 9 and NSF 372.

Job Name \_\_\_\_\_

Model Specified \_\_\_\_\_ Quantity \_\_\_\_\_

Variations Specified \_\_\_\_\_

Date \_\_\_\_\_



Features & Benefits:

- B-2710 and B-2711 single lever faucet metal stem cartridge
- Material: Chrome plated brass

Product Compliance:

- ASME A112.18.1 / CSA B125.1
- NSF 61 - Section 9
- NSF 372 (Low Lead Content)



Warranty: Two Year (Limited)

Performance Data:

- N/A

