



**T&S BRASS AND BRONZE WORKS, INC.**  
 2 Saddleback Cove / P.O. Box 1088  
 Travelers Rest, SC 29690

Model No.  
**B-7232-01-PPB**

Item No.

Travelers Rest, SC: 800-476-4103 • Simi Valley, CA: 800-423-0150 • Fax: 864-834-3518 • www.tsbrass.com

This Space for Architect/Engineer Approval

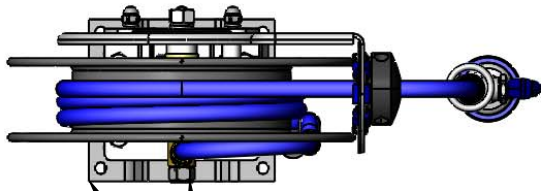
Job Name \_\_\_\_\_ Date \_\_\_\_\_

Model Specified \_\_\_\_\_ Quantity \_\_\_\_\_

Customer/Wholesaler \_\_\_\_\_

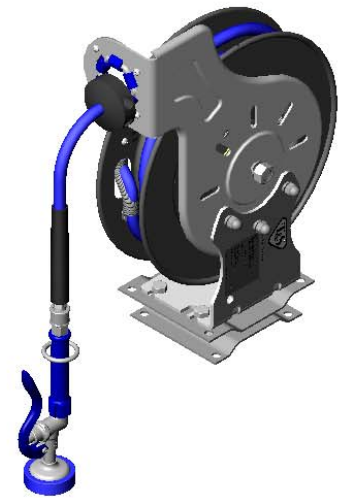
Contractor \_\_\_\_\_

Architect/Engineer \_\_\_\_\_



3/8" NPT Female Inlet  
 (Left Side of Reel)

Epoxy Coated Deck Mount  
 Pivot Bracket w/ 345° of  
 Rotation



Ø 14 1/2"  
 [368mm]

Epoxy Coated Open  
 Hose Reel  
 35' of 3/8" Hose

7 1/8"  
 [181mm]

21 9/16"  
 [548mm]

10 13/16"  
 [275mm]

019652-40  
 3/8" NPT  
 Live Swivel

EB-0107  
 High Flow  
 Spray Valve

Mounting Hardware  
 Included for Hose Reel  
 to Bracket

Mounting Hole Details

Ø 1/2"  
 [12mm]

5 5/16"  
 [135mm]

6 3/8"  
 [163mm]

5 5/16"  
 [134mm]

6 1/4"  
 [159mm]

Product Specifications:  
 3/8" x 35' Epoxy Coated Open Reel, High Flow Spray Valve &  
 345 Degree Epoxy Coated Pivot Deck Mount Bracket  
 w/ Mounting Hardware for Hose Reel to Bracket

Product Compliance:  
 NSF 61 Exempt (Non-Potable)  
 2019 DOE PRSV Non-Compliant



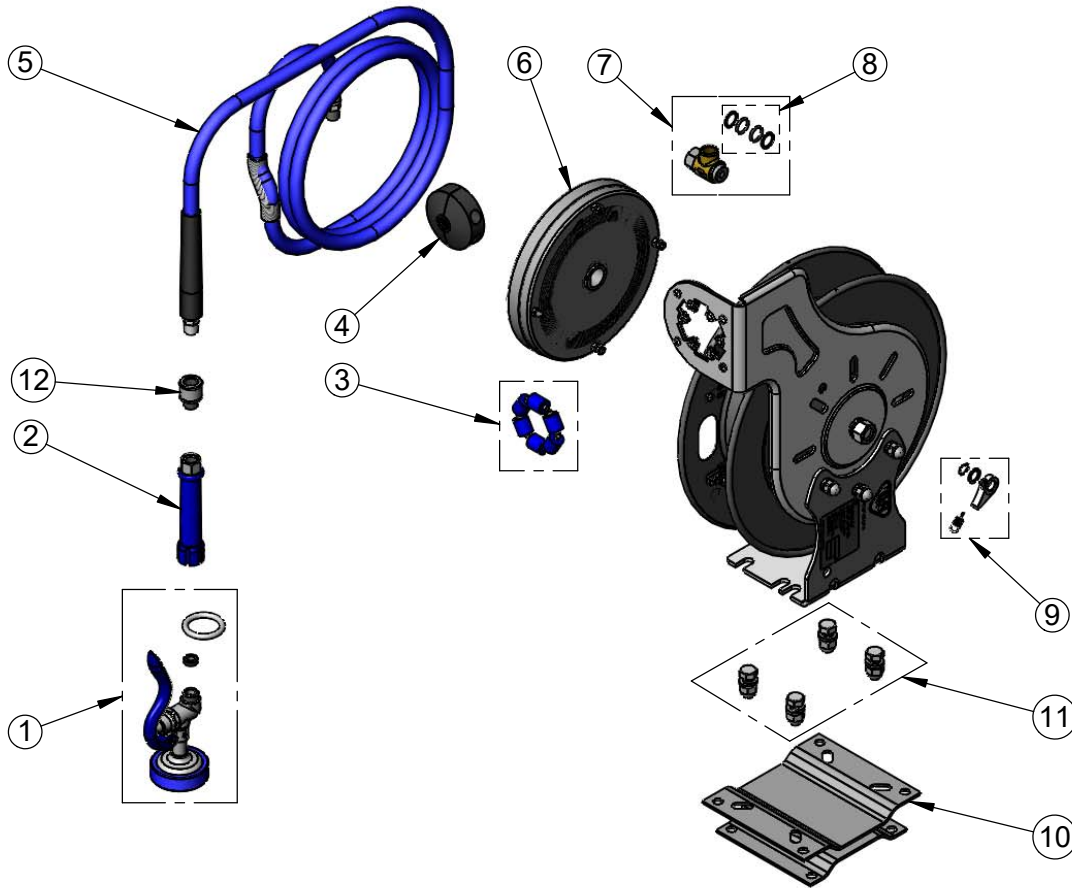
**T&S BRASS AND BRONZE WORKS, INC.**  
 2 Saddleback Cove / P.O. Box 1088  
 Travelers Rest, SC 29690

Model No.  
**B-7232-01-PPB**

Item No.

Travelers Rest, SC: 800-476-4103 • Simi Valley, CA: 800-423-0150 • Fax: 864-834-3518 • www.tsbrass.com

ITEM NO.	SALES NO.	DESCRIPTION
1	EB-0107	High Flow Spray Valve (Blue)
2	012504-40	Grip Handle (Blue) w/ Washer
3	014936-45	Roller Repair Kit
4	014949-45	Hose Stop Repair Kit
5	014941-45	3/8" x 35' Hose Replacement Kit
6	014932-45	Small Epoxy Coated Spring
7	014946-45	3/8" Swivel Repair Kit
8	014948-45	O-Ring Replacement Kit
9	014940-45	Ratchet Repair Kit
10	G016652-45	Epoxy Coated Pivot Bracket
11	019191-45K	Hose Reel Bracket Mounting Kit
12	019652-40	3/8" NPT Live Swivel



**Product Specifications:**  
 3/8" x 35' Epoxy Coated Open Reel, High Flow Spray Valve &  
 345 Degree Epoxy Coated Pivot Deck Mount Bracket  
 w/ Mounting Hardware for Hose Reel to Bracket

**Product Compliance:**  
 NSF 61 Exempt (Non-Potable)  
 2019 DOE PRSV Non-Compliant