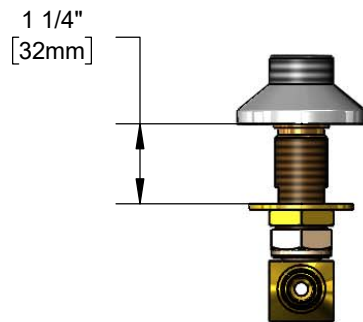
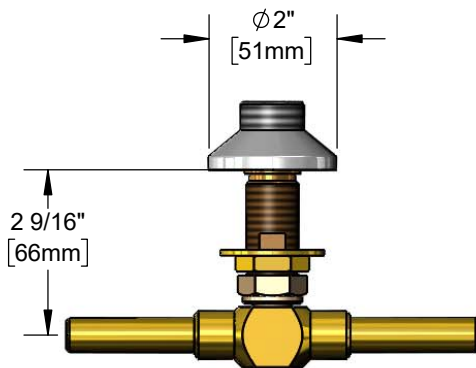
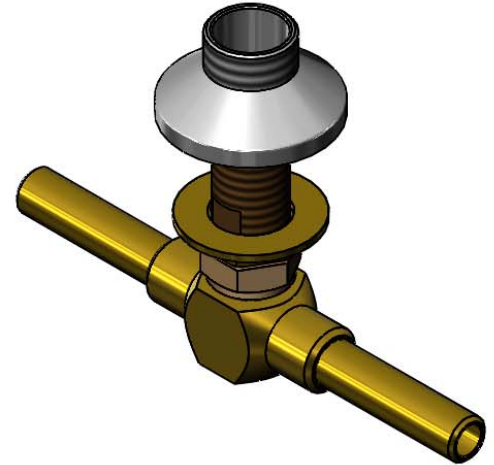




Architect/Engineering Specifications:

Cross body with swivel base flange with polished chrome plated brass body. Fits all T&S swivel goosenecks and risers. Certified to NSF 61-Section 9 and NSF 372.

Job Name _____
 Model Specified _____ Quantity _____
 Variations Specified _____
 Date _____



Features & Benefits:

- Cross body with swivel base flange outlet
- Fits all T&S swivel goosenecks & risers
- Lock washer provided for rigid application
- Material: Brass and chrome plated brass

Product Compliance:

- NSF 61 - Section 9
- NSF 372 (Low Lead Content)



Warranty: One Year (Limited)



Performance Data:

- N/A

